

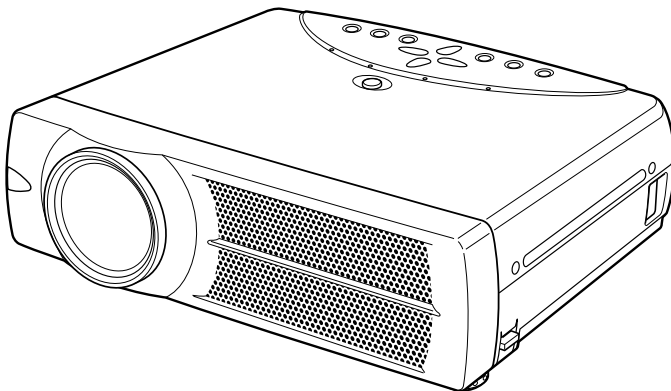
FILE NO.

SERVICE MANUAL Multimedia Projector

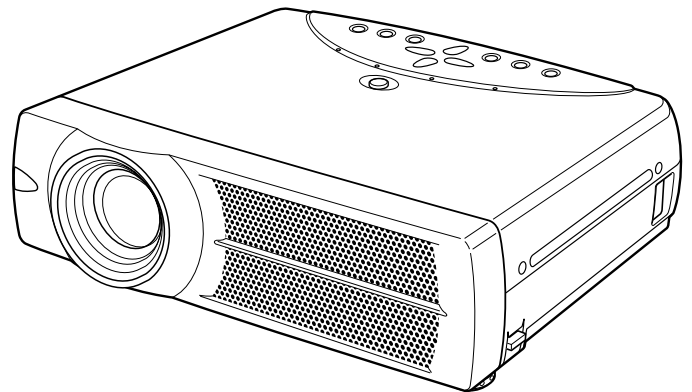
Model No. **PLC-XU45**
PLC-XU46

U.S.A., Canada,
Europe, Asia, Africa
U.K

Original Version



PLC-XU46



PLC-XU45

Chassis No. ME3-XU4500
MF3-XU4600

NOTE: Match the Chassis No. on the unit's back cover with the Chassis No. in the Service Manual.

If the Original Version Service Manual Chassis No. does not match the unit's, additional Service Literature is required. You must refer to "Notices" to the Original Service Manual prior to servicing the unit.

PRODUCT CODE

1 122 181 00 (ME3A)

1 122 182 00 (PE3A)

1 122 182 02 (PE3C)

1 122 183 00 (MF3A)

1 122 184 00 (PF3A)

1 122 184 02 (PF3C)

REFERENCE NO. SM5110464

■ Contents

■ Contents	2
■ Safety Instructions	3
PRODUCT SAFETY NOTICE	3
SERVICE PERSONNEL WARNING	3
SAFETY PRECAUTIONS	3
■ Specifications	4
■ Adjustments after Parts Replacement	5
■ Circuit Protections	6
Fuse	6
Thermal switch	6
Interlock switch	6
Warning temperature and power failure protection	7
■ Mechanical Disassemblies	8
■ Optical Parts Disassemblies	14
■ LCD Panel/Prism Ass'y Replacement	19
■ Lamp Replacement	20
■ Optical Adjustments	21
■ Electrical Adjustments	25
Service Adjustment Menu Operation	25
Circuit Adjustments	26
Service Adjustment Data Table	30
Test Points and Locations	34
■ Troubleshooting	35
No Power	35
No Picture	37
No Sound	39
Lens Motor Problems	39
■ Control Port Functions	40
■ Waveform	44
■ Cleaning	46
■ IC Block Diagrams	47
■ Service parts lists	55-87
● Electrical parts list	55-80
● Mechanical parts list	81-87


Drawings & Diagrams _____ A1-A18

■ Parts description and reading in schematic diagram	A2
■ Circuit block diagram	A3
■ Power supply lines	A4
■ Printed wiring board diagrams	A5-A10
■ Schematic diagrams	A11-A18
■ Pins description of ICs, transistors, diodes	A19

■ Safety Instructions

SAFETY PRECAUTIONS

WARNING:

The chassis of this projector is isolated (COLD) from AC line by using the converter transformer. Primary side of the converter and lamp power supply unit circuit is connected to the AC line and it is hot, which hot circuit is identified with the line () in the schematic diagram. For continued product safety and protection of personnel injury, servicing should be made with qualified personnel.

The following precautions must be observed.


- 1: An isolation transformer should be connected in the power line between the projector and the AC line before any service is performed on the projector.
- 2: Comply with all caution and safety-related notes provided on the cabinet back, cabinet bottom, inside the cabinet or on the chassis.
- 3: When replacing a chassis in the cabinet, always be certain that all the protective devices are installed properly, such as, control knobs, adjustment covers or shields, barriers, etc.

DO NOT OPERATE THIS PROJECTOR WITHOUT THE PROTECTIVE SHIELD IN POSITION AND PROPERLY SECURED.

- 4: Before replacing the cabinet cover, thoroughly inspect the inside of the cabinet to see that no stray parts or tools have been left inside.

Before returning any projector to the customer, the service personnel must be sure it is completely safe to operate without danger of electric shock.

PRODUCT SAFETY NOTICE

Product safety should be considered when a component replacement is made in any area of the projector. Components indicated by mark  in the parts list and the schematic diagram designate components in which safety can be of special significance. It is, therefore, particularly recommended that the replacement of these parts must be made by exactly the same parts.

SERVICE PERSONNEL WARNING

Eye damage may result from directly viewing the light produced by the Lamp used in this equipment. Always turn off Lamp before opening cover. The Ultraviolet radiation eye protection required during this servicing. Never turn the power on without the lamp to avoid electric-shock or damage of the devices since the stabilizer generates high voltages(15kV - 25kV) at its starts. Since the lamp is very high temperature during units operation replacement of the lamp should be done at least 45 minutes after the power has been turned off, to allow the lamp cool-off.

DO NOT ATTEMPT TO SERVICING THE REMOTE CONTROL UNIT.

Laser Beam may be leaked out when in disassemble the Unit. As the Laser Beam used in this Remote control unit is harmful to the eyes.

CAUTION



LASER RADIATION
DO NOT STARE INTO BEAM
MAX. OUTPUT: 1mW
WAVE LENGTH: 650±20nm
CLASS II LASER PRODUCT

This product is complied with 21 CFR
part 1040.10

LASER RADIATION
DO NOT STARE INTO BEAM
CLASS 2 LASER PRODUCT
LASER-STRAHLUNG
NICHT IN DEN STRAHL BLICKEN
LASER KLASSE 2
レーザー放射クラス2レーザー製品
ビームをのぞき込まないこと
IEC60825-1, Am.1 1997
MAX OUTPUT (最大出力) : 1 mW
WAVE LENGTH (波長) : 650±20nm

■ Specifications

Projector Type	Multi-media Projector
Dimensions (W x H x D)	13.11" x 3.52" x 9.96" (333mm x 89.5mm x 253mm)
Net Weight	9.3 lbs (4.2 kg) (PLC-XU45), 9.8 lbs (4.4 kg) (PLC-XU46)
LCD Panel System	0.9" TFT Active Matrix type, 3 panels
Panel Resolution	1024 x 768 dots
Number of Pixels	2,359,296 (1024 x 768 x 3 panels)
Color System	6 color system (PAL, SECAM, NTSC, NTSC4.43, PAL-M and PAL-N)
High Definition TV Signals	480i, 480p, 575i, 575p, 720p, 1035i and 1080i
Scanning Frequency	H-sync. 15 ~ 100kHz, V-sync. 50 ~ 100Hz
Projection Image Size (diagonal)	Adjustable from 31" to 300" (PLC-XU45) Adjustable from 34" to 300" (PLC-XU46)
Horizontal Resolution	800 TV lines
Projection Lens	F 1.7 ~ 2.0 lens with f 37.4mm ~ 48.3mm with motor zoom and focus (PLC-XU45) F 1.9 ~ 2.1 lens with f 21.3mm ~ 25.6mm with motor zoom and focus (PLC-XU46)
Throw Distance	5.3' ~ 40.0' (1.6m ~ 12.2m) (PLC-XU45) 3.0' ~ 22.6' (0.9m ~ 6.9m) (PLC-XU46)
Projection Lamp	200watts
Video Input Jacks	RCA Type x 3 (Video/Y, Cb/Pb, Cr/Pr) and Mini DIN 4 pin x 1(S-Video)
Audio Input Jacks	RCA Type x 2
Computer Input Terminal	DVI-I Terminal (Digital/Analog)
Monitor Output Terminal	(VGA) HDB15 Terminal x 1
Computer Audio Input Jack	Mini Jack (stereo)
Control Port Connector	Mini DIN 8 pin x 1
USB Connector	USB Series B receptance x 1
Audio Output Jacks	RCA Type x 2
Internal Audio Amp.	1.0watt RMS (monaural)
Built-in Speaker	1 speaker, 1.18" x 1.57" (30mm x 40mm)
Feet Adjustment	0° to 15.6°
Voltage and Power Consumption	AC 100 ~ 120V (3.6A Max. Ampere), 50/60Hz (The U.S.A and Canada) AC 200 ~ 240V (1.8A Max. Ampere), 50/60Hz (Continental Europe and the U.K)
Operating Temperature	41°F ~ 95°F (5°C ~ 35°C)
Storage Temperature	14°F ~ 140°F (-10°C ~ 60°C)
Remote Control Transmitters	Wireless Remote Control, batteries AA, UM3 or R06 Type x 2

- The specifications are subject to change without notice.



This symbol on the nameplate means the product is Listed by Underwriters Laboratories Inc. It is designed and manufactured to meet rigid U.L. safety standards against risk of fire, casualty and electrical hazards.

Adjustments after Parts Replacement

● : Adjustment necessary ○ : Check necessary

		Disassembly / Replaced Parts									
		LCD/ Prism Ass'y	Condenser Lens	Condenser Lens-Out	Relay Lens-Out	Polarized glass			P. F. Board	Power Board	Main Board
						R	G	B			
Optical Adjustments	Condenser lens adjustment	○	●								
	Condenser lens-out adjustment	○		●							
	Relay lens-out adjustment	○			●						
	Contrast Adjustment										
	R-Contrast adjustment					●					
	G-Contrast adjustment						●				
	B-Contrast adjustment							●			
Electrical Adjustments	Output voltage adjustment										
	Fan voltage adjustment								●		
	Pedestal adjustment									●	
	NRS adjustment									●	
	Signal center adjustment									●	
	Black level adjustment									●	
	PC offset adjustment									●	
	PC gain adjustment									●	
	AV gain adjustment									●	
	Common center adjustment	●								●	
	Gamma shift adjustment	○								●	
	White balance adjustment	○								○	

■ Circuit Protections

This projector is equipped with the following circuit protections to operate in safety. If the abnormality occurs inside the projector, it will automatically turn off by operating one of the following protection circuits.

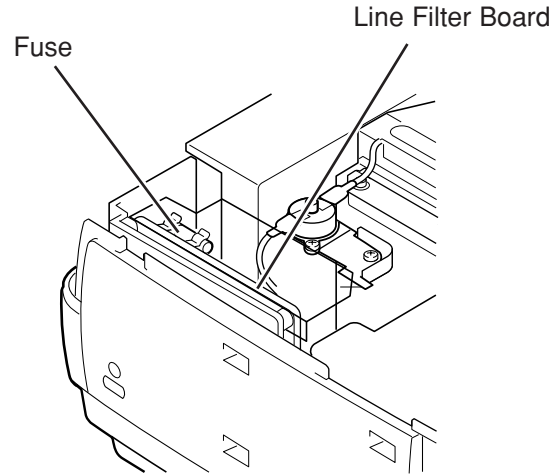
● Fuse

The fuse is located inside of the projector. When either the LAMP indicator or the READY indicator is not illuminated, fuse may be opened. Check the fuse as following steps.
It should be used the specified fuse as follows;

Fuse Part No.: 423 022 2102
TYPE T4.0AH 250V FUSE
LITTLE FUSE INC. TYPE 215004

How to replace the fuse

1. Remove the cabinet top following to “Mechanical Disassemblies”.
2. Remove the fuse from fuse holder.
To install the fuse, take reversed step in the above.



● Thermal switch

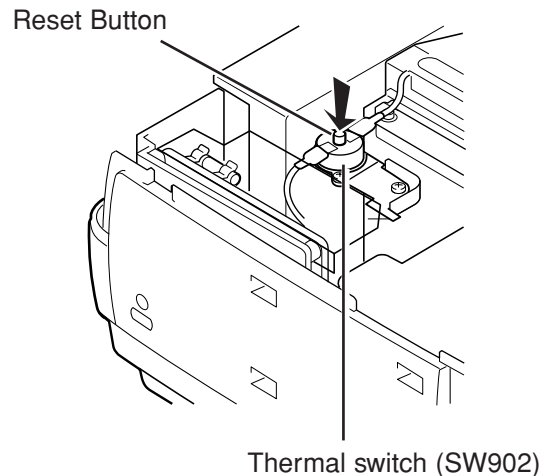
There is the thermal switch (SW902) inside of the projector to prevent the internal temperature from rising abnormally. When the internal temperature reaches near 100°C, turn off the AC main power supply automatically.

The thermal switch is not reset to normal automatically even if the internal temperature becomes normal. Reset the thermal switch following procedure.

Check the resistance between terminals of thermal switch by using the tester. If it has high impedance, thermal switch may be in operative.

How to reset the thermal switch

1. Remove the cabinet top following to “Mechanical Disassemblies”.
2. Press the reset button on the thermal switch.

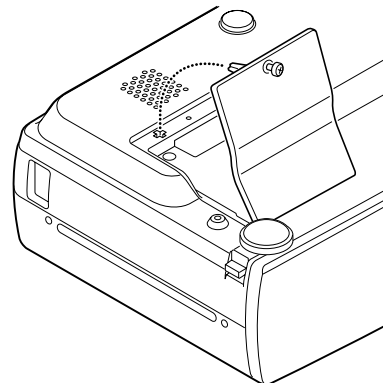


CAUTION:

Before press the reset button, disconnect the AC cord from the projector.

● Interlock switch

The interlock switch (SW904) cuts off the AC mains power supply when the lamp cover is removed. After opening the lamp cover for replacing the lamp ass'y, place the lamp cover correctly otherwise the projector can not turn on.



● Warning temperature and power failure protection

The TEMP WARNING indicator flashes red and the projector will automatically turn off when the internal temperature of the projector exceeds the normal temperature or when stopping cooling fans or when the internal power supply lines are failed.

Check the following possible causes and wait until stopping the TEMP WARNING indicator flashing.

Possible causes

- Air filter is clogged with dust particles. Remove dust from the air filter by following instructions in the “Air filter care and cleaning” below.
- Ventilation slots of the projector are blocked. In such an event, reposition the projector so that ventilation slots are not obstructed.
- Check if projector is used at higher temperature place (Normal operating temperature is 5 to 35 °C or 41 to 95°F)

If the TEMP WARNING indicator still continues to flash, there may be defects on cooling fans or power supply circuits. Please check fan operation and power supply lines referring to the “Power Supply Lines Chart”.

Air filter care and cleaning

The removable air filter prevents dust from accumulation on the surface of the projection lens and projection mirror. Should the air filter become clogged with dust particles, it will reduce the cooling fan’s effectiveness and may result in internal heat build up and reduce the life of the projector.

To clean up the air filter, follow the cleaning procedure below:

1. Turn the power off, and disconnect the AC power cord from the AC outlet.
2. Turn the projector up side down and remove an air filter by pulling the latches of them upward.
3. Clean the air filter with brush or wash out the dust and particles.
4. Replace the air filter properly. Make sure that the air filter is fully inserted.

CAUTION:

Do not operate the projector with the air filter removed. The dust is stuck on the LCD panel and the mirror, and it may spoil the fine picture image.

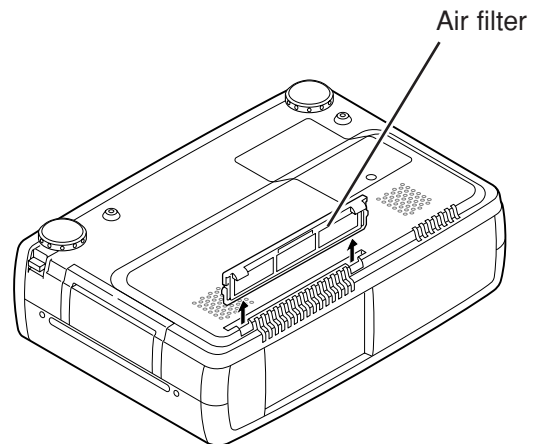
Do not put the small parts into the air intake vents. It may result in the malfunction of the projector. The air filter is small parts. Take care that children don’t eat or swallow it.

RECOMMENDATION

We recommend to avoid dusty, smoky place for operating the projector. Using in dusty place may cause the picture of poor quality.

When using under the dusty or smoky conditions, dust may accumulate on the LCD panel and lens inside it, and may resultantly be projected on the screen together with the picture.

When the above symptoms are noticed, please clean up the LCD panel and lens following to the “Cleaning Method”.



■ Mechanical Disassemblies

Mechanical disassemble should be made following procedures in numerical order. Following steps show the basic procedures, therefore unnecessary step may be ignored.

Caution:

The parts and screws should be placed exactly the same position as the original otherwise it may cause loss of performance and product safety.

1 Cabinet Top and Control Panel removal

- 1 Remove 4 screws **A** (M3x6) to take the Cabinet Top Ass'y upward off.
- 2 Remove the Control Panel off from the Cabinet Top by lifting the edge of control panel.

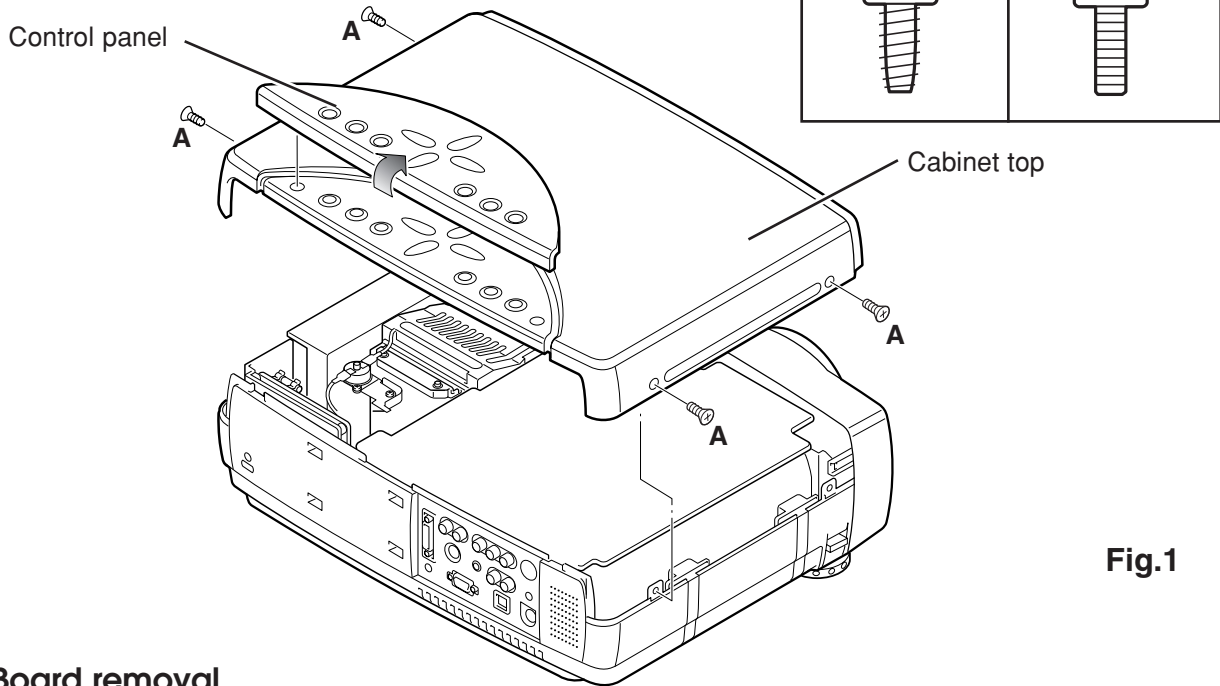


Fig.1

2 Main Board removal

- 1 Remove 8 screws (M3x6) to take the Main Board upward off.

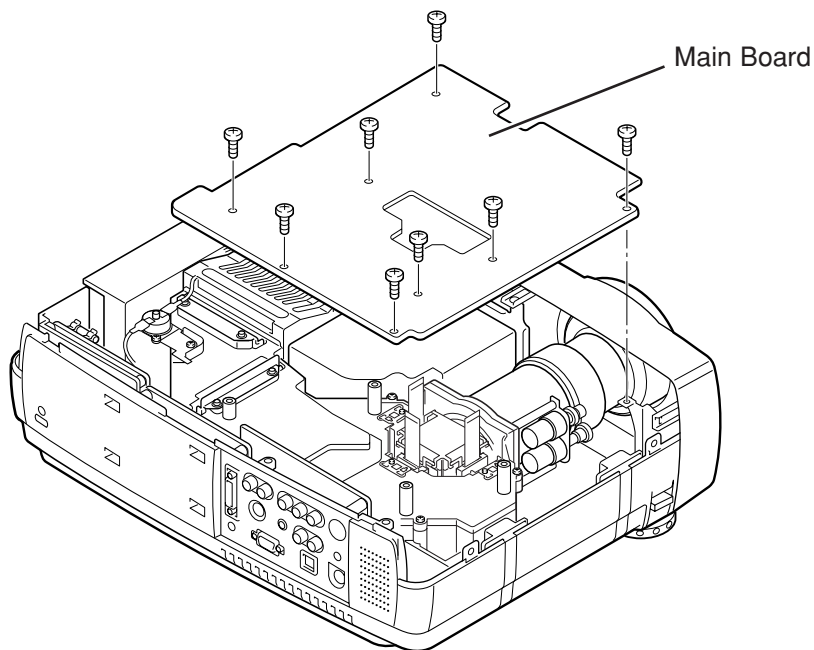


Fig.2

3 AV, DVI, Temp Board and Speaker removal

- 1 Remove 1 screw **A** (M4x8) to release grounding wires.
- 2 Pull the Rear Panel ass'y upward.
- 3 Remove 4 screws **B** (T3x6) and remove the AV Board.
- 4 Remove 4 screws **C** (T3x6) and remove the DVI Board.
- 5 Remove 4 screws **D** (T2.6x6) and remove the speaker.
- 6 Remove 1 screws **E** (T3x8) and remove the Sensor Board.

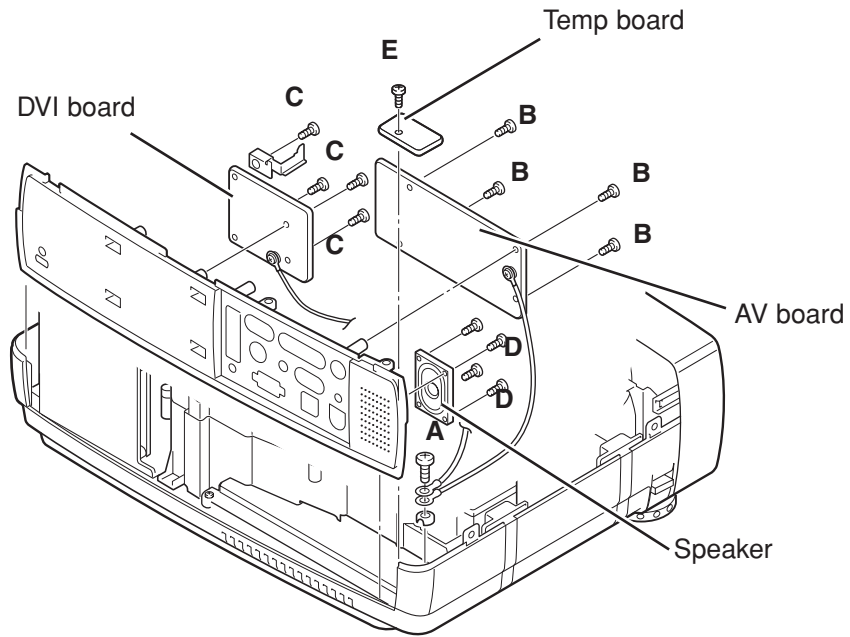


Fig.3

4 Front Panel and R/C Board removal

- 1 Remove 3 screws **A** (M3x4), 1 screw **B** (M3x8) and unhook 2 hooks **C** at the both of left and right side, and the take the Front Panel ass'y off.
- 2 Remove 1 screw **D** (T3x8) to take the R/C Board off.

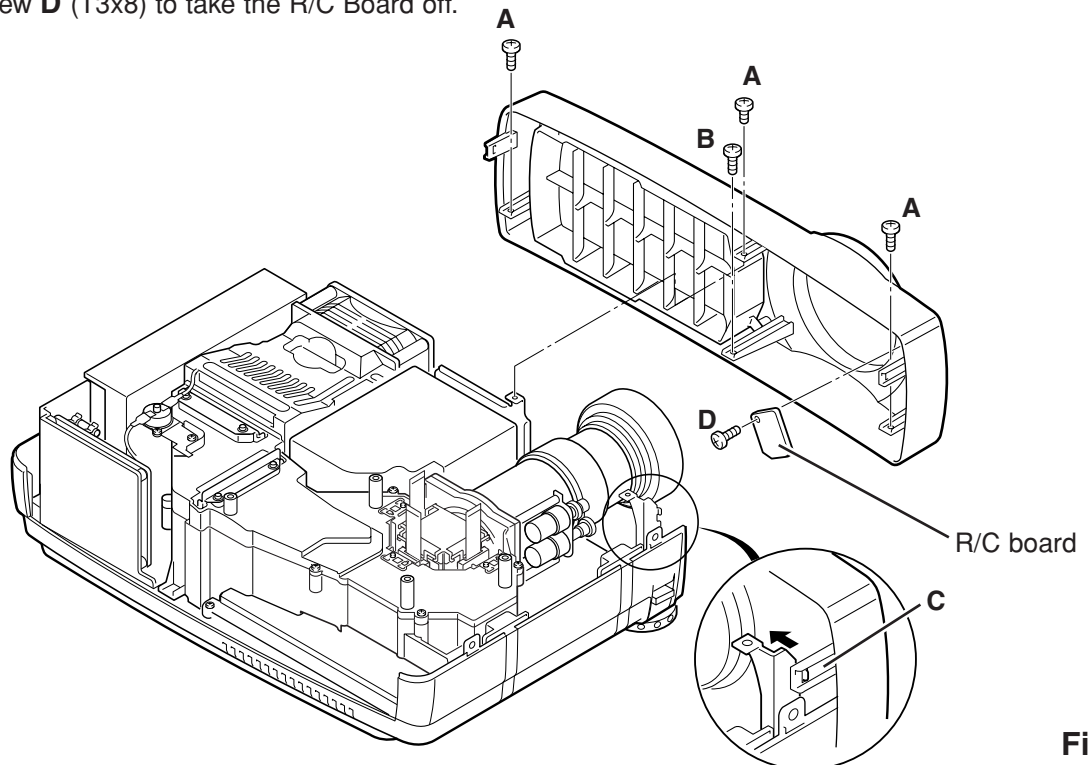


Fig.4

5 Lamp Ballast Unit removal

- 1 Remove 1 screw **A** (M3x4) and remove SW902, and then remove 1 screw **B** (M3x6) and disconnect the Lamp Socket.
- 2 Remove 2 screws **C** (M3x6) to take the Lamp Ballast ass'y upward off.
- 3 Remove 2 screws **D** (T2x6) to take the isolation sheet off.
- 4 Remove 4 screws **E** (T3x6) to take the lamp ballast board off.

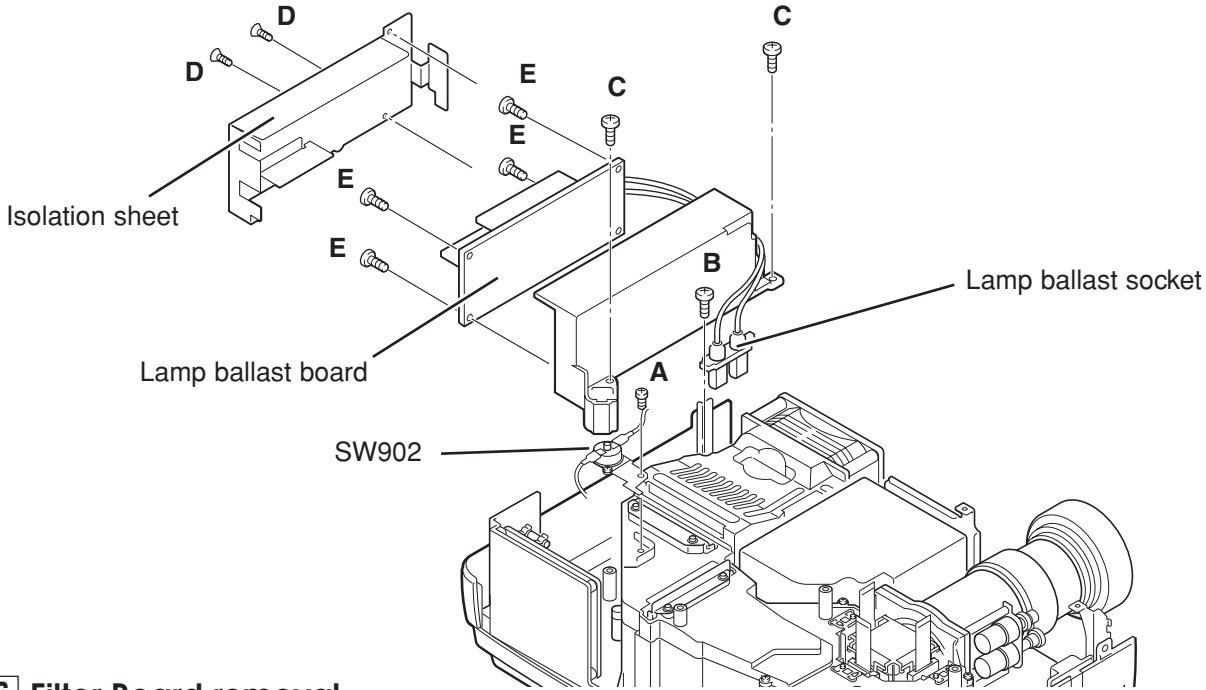


Fig.5

6 Filter Board removal

- 1 Remove 3 screws **A** (M3x6) and pull the Filter Board ass'y upward.
- 2 Remove 1 screw **B** (M4x8) to take the grounding lead from the cabinet bottom.
- 3 Remove 4 screws **C** (T3x8) to take the Filter Board off.

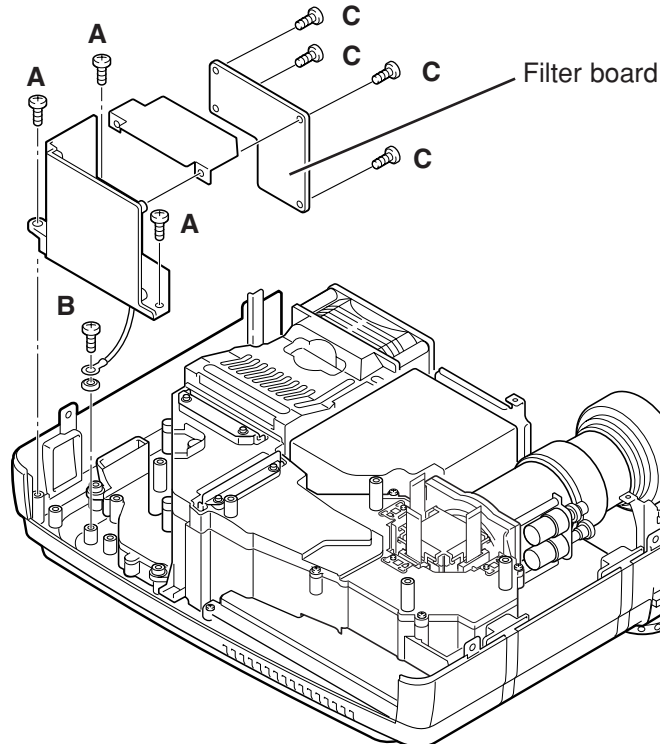


Fig.6

7 Power Box Cover and Fans(FN901, FN906) removal

- 1 Remove 4 screws **A** (M3x12) to take the Fan(FN901) off.
- 2 Remove 4 screws **B** (M3x8) to take the Fan(FN906) off.
- 3 Remove 3 screws **C** (M3x6) to take the Power Box Cover upward off.

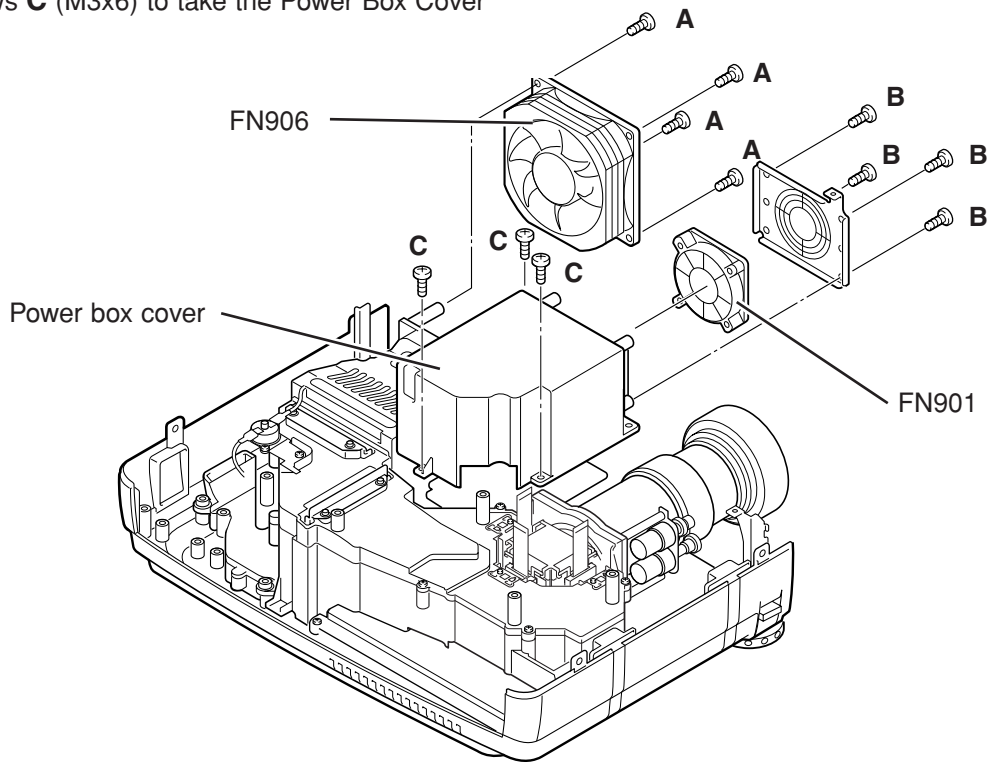


Fig.7

8 Optical Unit removal (1)

- 1 Remove 1 screw **A** (M3x6) to take the Lamp Cover off.
- 2 Loosen 3 screws **B** to take the Lamp assembly by pulling the handle. Step to next procedure.

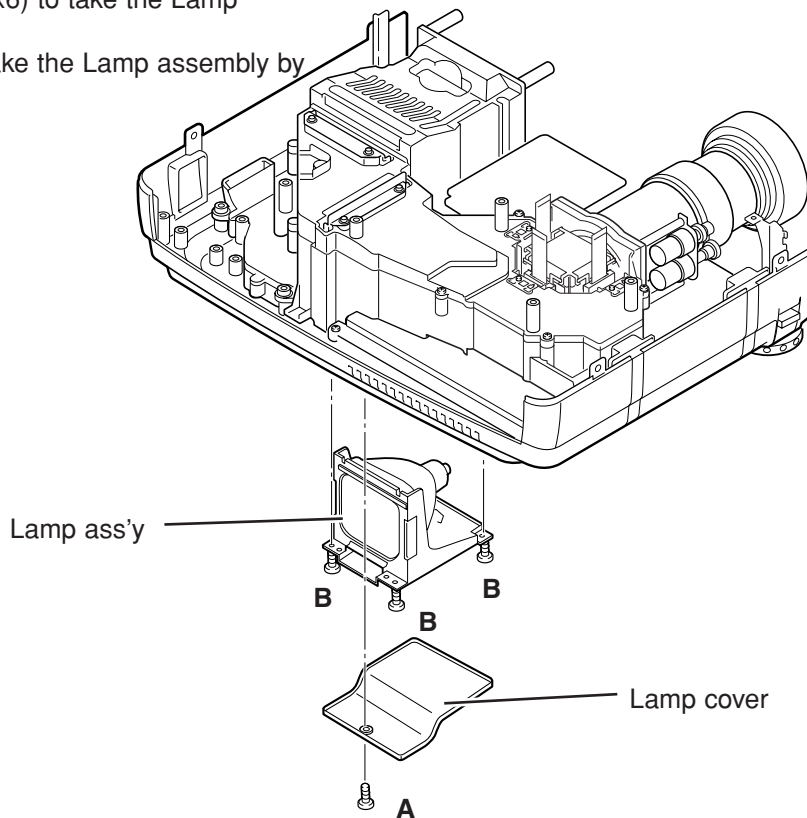


Fig.8-1

8 Optical Unit removal (2)

Step from previous procedure.

3 Remove 6 screws **C** (M3x8) to take the Optical Unit upward upward off.
To mount optical unit, mount optical unit first then mount the Lamp assembly and Lamp Cover.

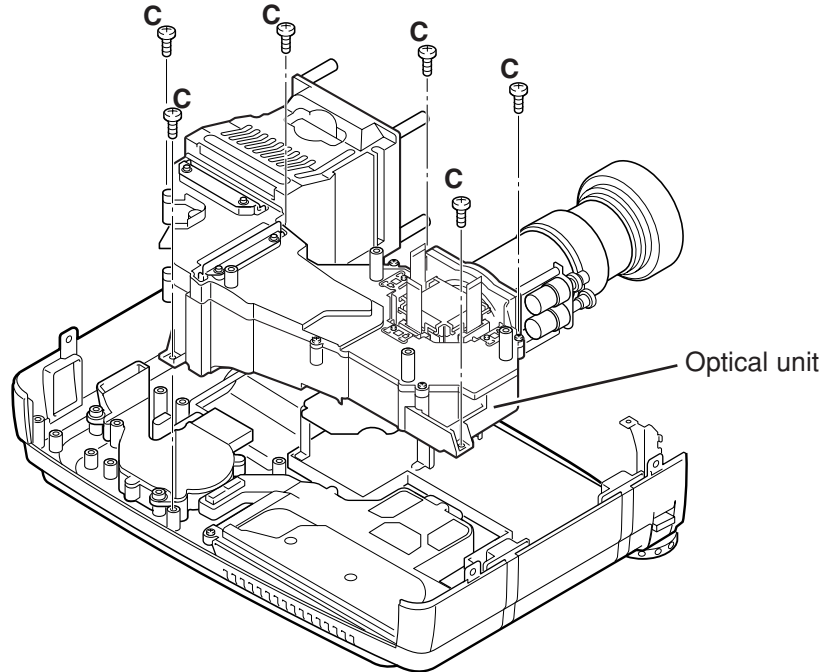


Fig.8-2

9 Power and P.F. Board removal

1 Remove 4 screws **A** (T3x6), 4 screws **B** (T3x8) to take the Power Board ass'y upward off.
2 Remove 4 screws **C** (M3x6) to take the P. F. Board from the Power Board.
3 Remove 3 screws **D** (M3x6) to take the Power Board holder from the Cabinet Bottom.

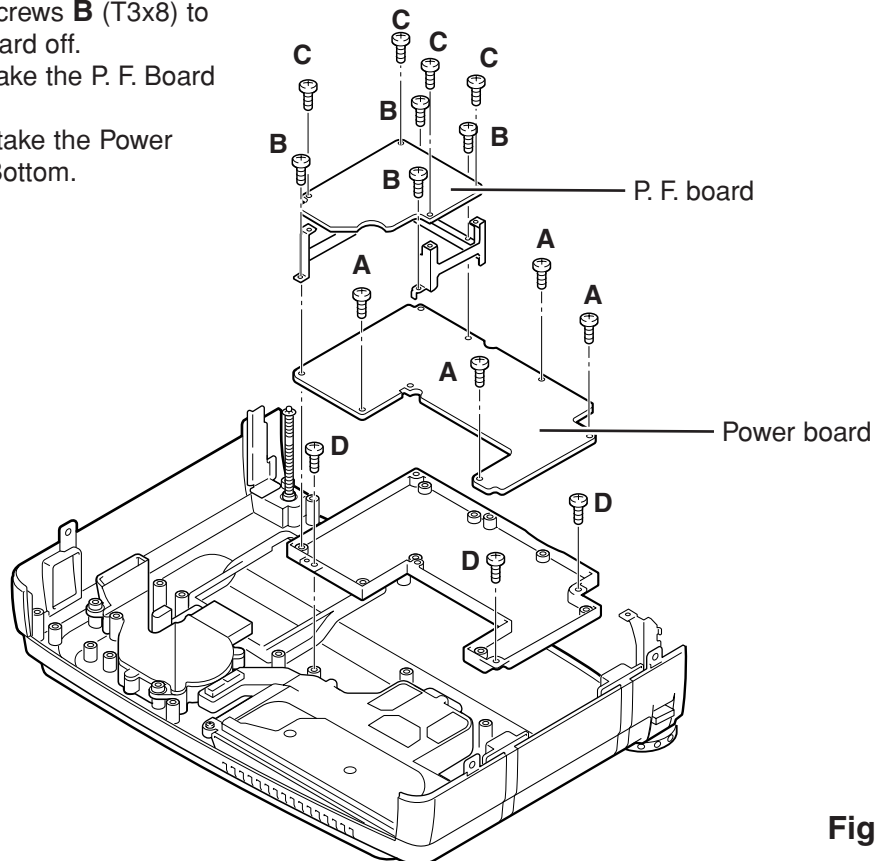


Fig.9

10 Fan (FN905) removal

- 1 Remove 1 screw **A** (M3x6) and take a Washer, Spring and Interlock Switch lever.
- 2 Pull the Fan and duct ass'y upward, then remove the 2 screws **B** (M3x6) to take the Fan (FN905) off.

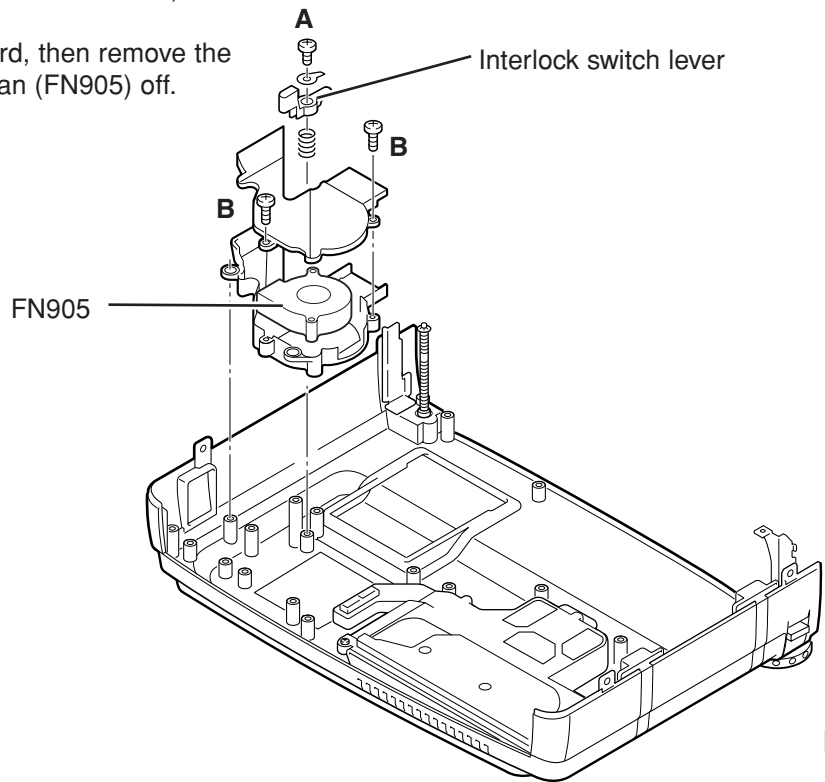


Fig.10

11 Fans (FN902, FN903, FN904) removal

- 1 Remove 8 screws **A** (T3x8) and to take the Fan Duct Top off and remove the Fans (FN902, FN903, FN904).
- 2 Remove 4 screws **B** (M3x6) to take the Fan Duct Bottom off from the Cabinet Bottom.

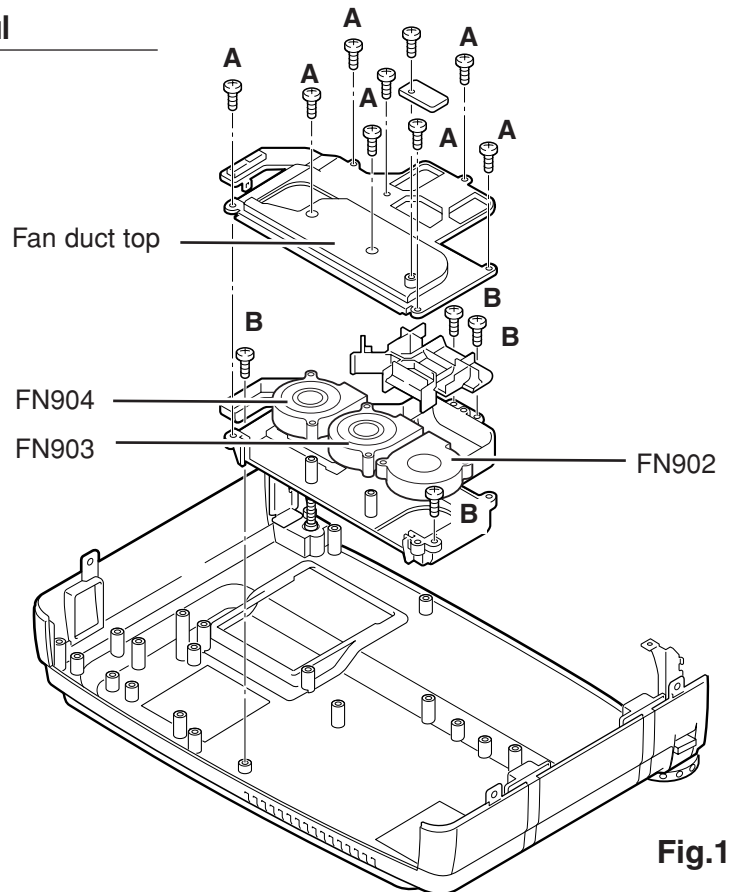


Fig.11

■ Optical Parts Disassemblies

Before taking this procedure, remove Cabinet Top and Main Board following to the “Mechanical Disassemblies”. Disassembly requires a 2.0mm hex wrench and a screwdriver.

1 Projection Lens removal

- 1 Remove the Front Panel following to “Front Panel Removal” on “Mechanical Disassemblies”.
- 2 Remove 4 screws (M3x10) to take the Projection Lens ass'y off.

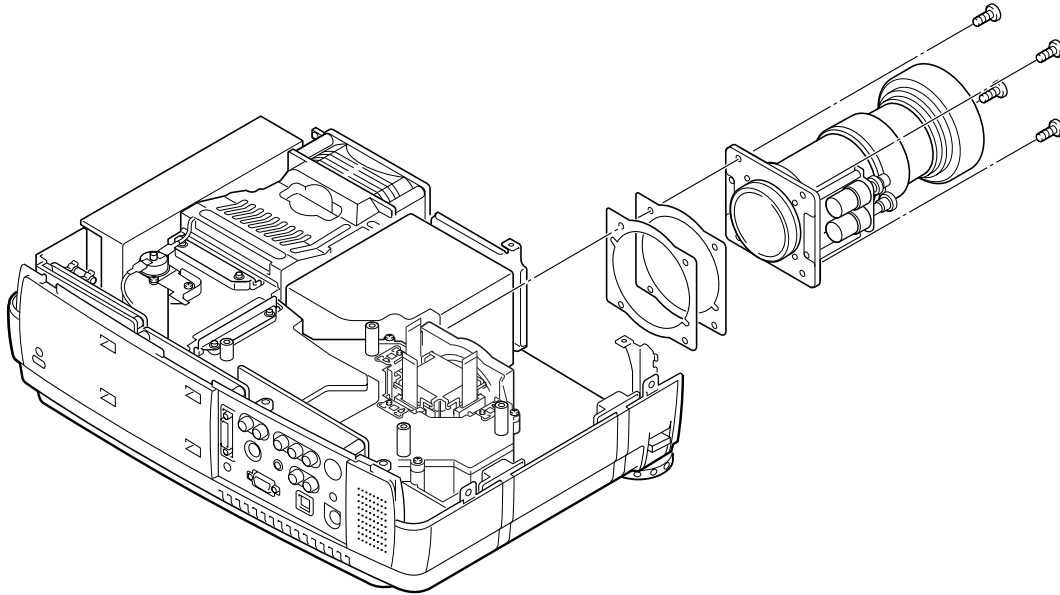


Fig.1

2 Integrator Lens-In disassembly

- 1 Remove 2 screws **A** (M2.5x6) and pull the Integrator Lens-In ass'y upward.
- 2 Remove 1 stoppers **B** and then take the Lens off from the holder.

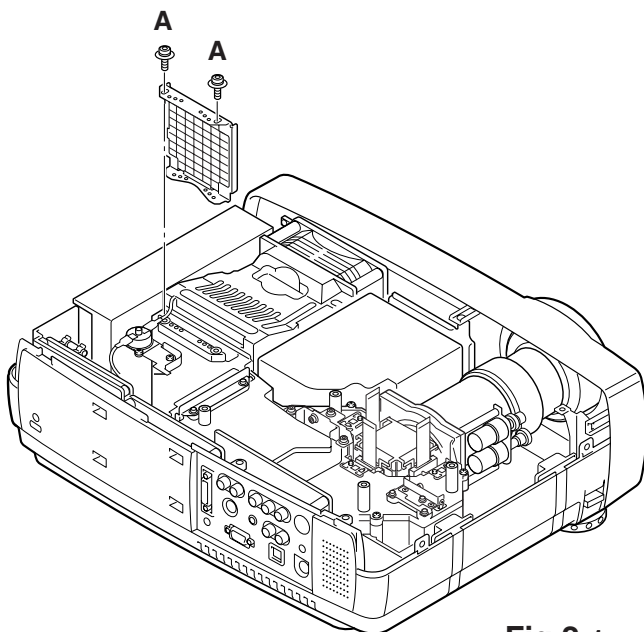


Fig.2-1

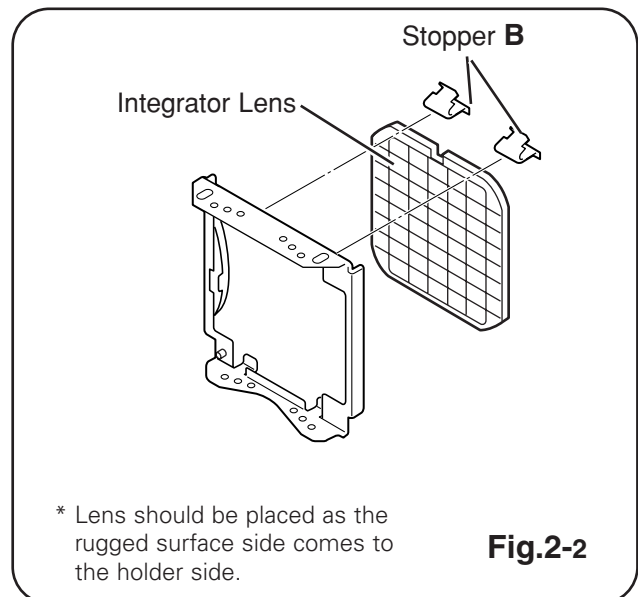


Fig.2-2

3 Condenser lens disassembly

- 1 Remove 2 screws **A** (M2.5x6) and pull the Condenser Lens ass'y upward.
- 2 Remove 4 screws **B** (M2x4) to take the Lens off from the holder.

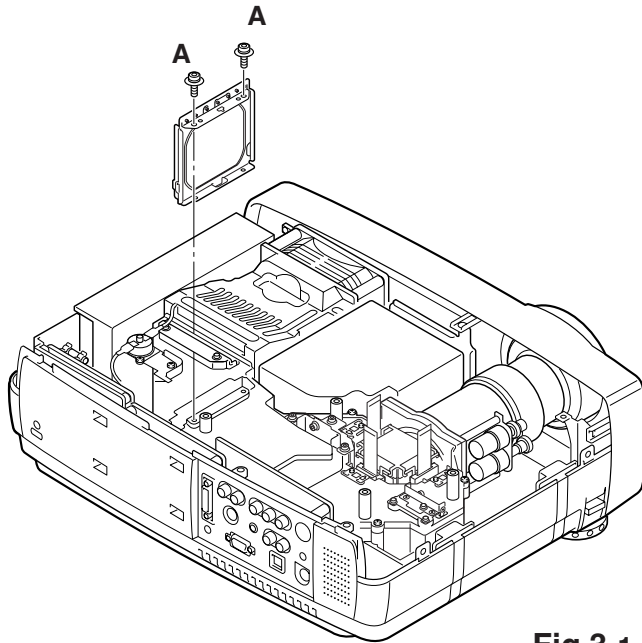


Fig.3-1

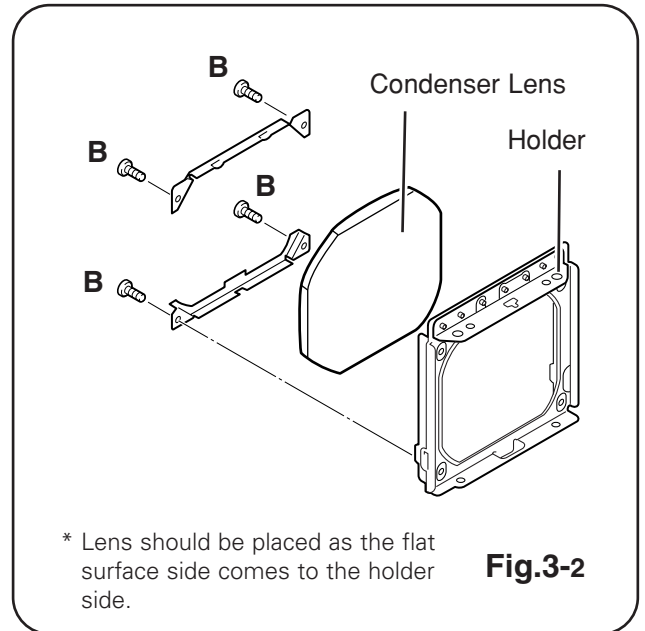


Fig.3-2

4 Condenser Lens-Out disassembly

- 1 Remove 2 screws **A** (M2.5x6) and pull the Condenser Lens-Out ass'y upward.
 - 2 Remove 2 screws **B** (M2x4) to take the Lens off from the holder.
- Note:
Should be place the lens as shown in the figure.

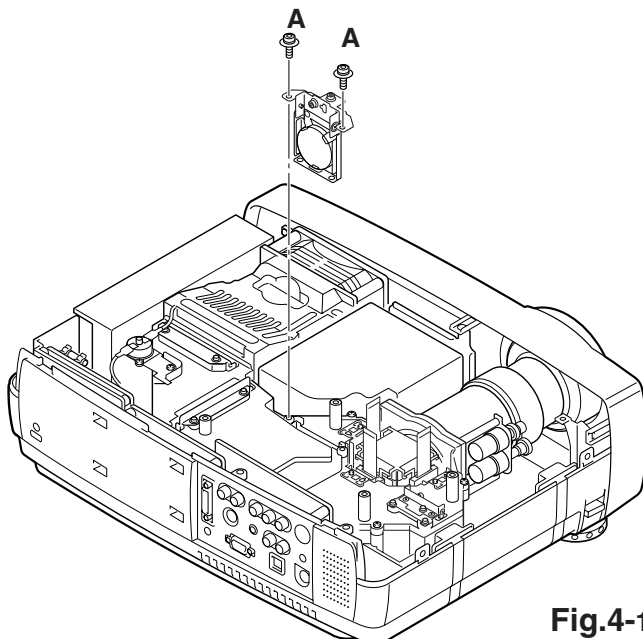


Fig.4-1

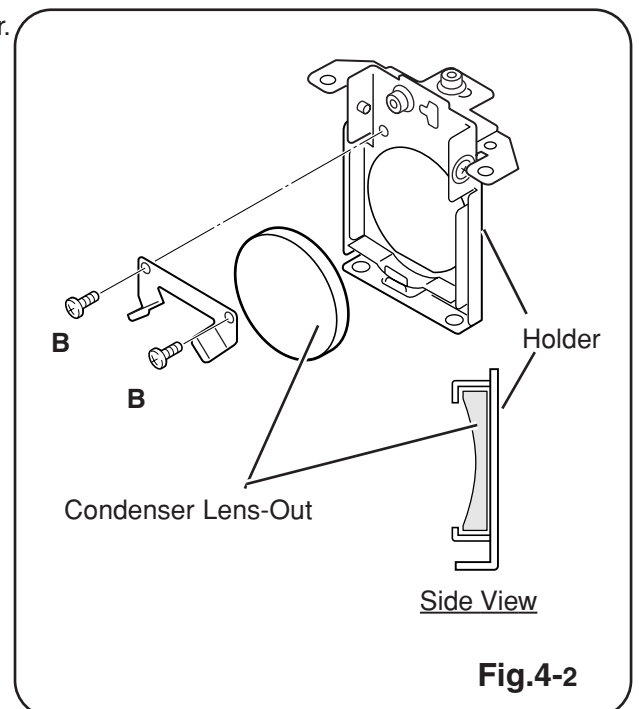


Fig.4-2

5 Relay Lens-Out disassembly

- 1 Remove 2 screws **A** (M2.5x6) and pull the Relay Lens-Out ass'y upward.
- 2 Remove 2 screws **B** (M2x4) to take the Lens off from the holder.

Note:

There is no mounting direction of the lens.

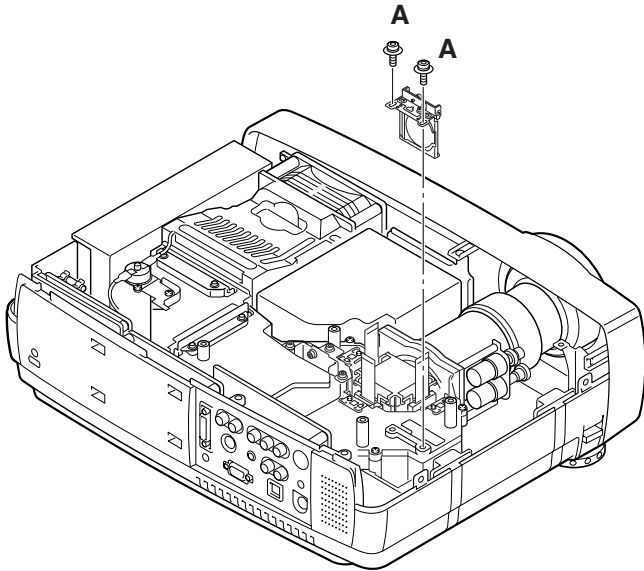


Fig.5-1

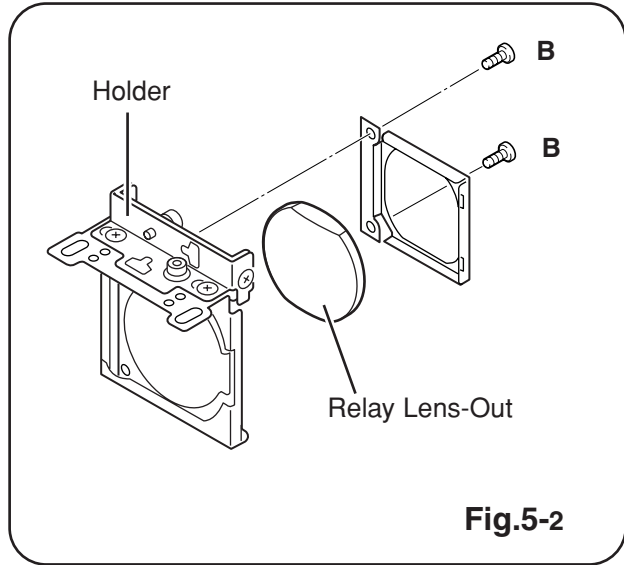


Fig.5-2

6 Polarized Glass-In removal

- 1 Remove each screw (M2.5x6) and pull the Polarized Glass-In ass'y upward.
- 2 Unhook the stoppers and take the glass off upward.

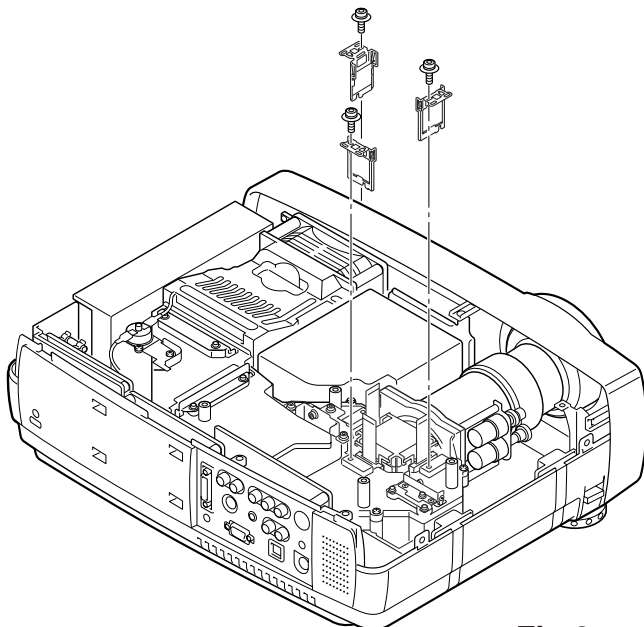
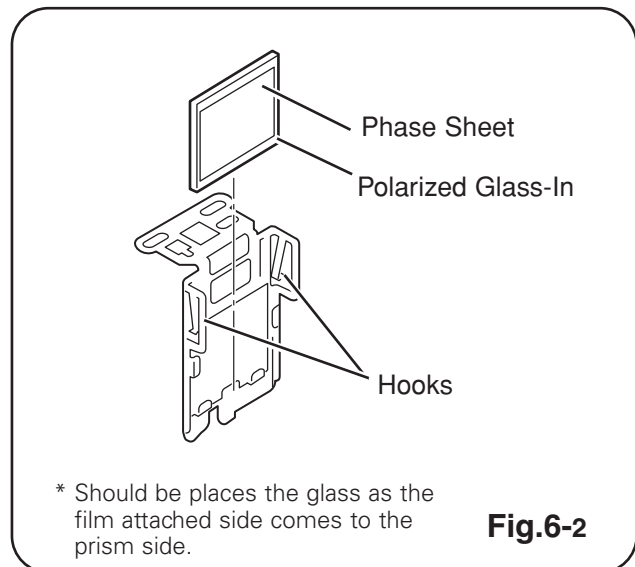


Fig.6-1



* Should be places the glass as the film attached side comes to the prism side.

Fig.6-2

7 Polarized Glass-Out/Pre-Polarized Glass removal

- 1 Remove 4 screws **A** (M2.5x4) and take the LCD/Prism ass'y off upward from the optical unit.
- 2 Remove each screw **B** and take the glass off upward.

Note:

Do not replace the LCD panel separately otherwise it can not obtain proper picture.

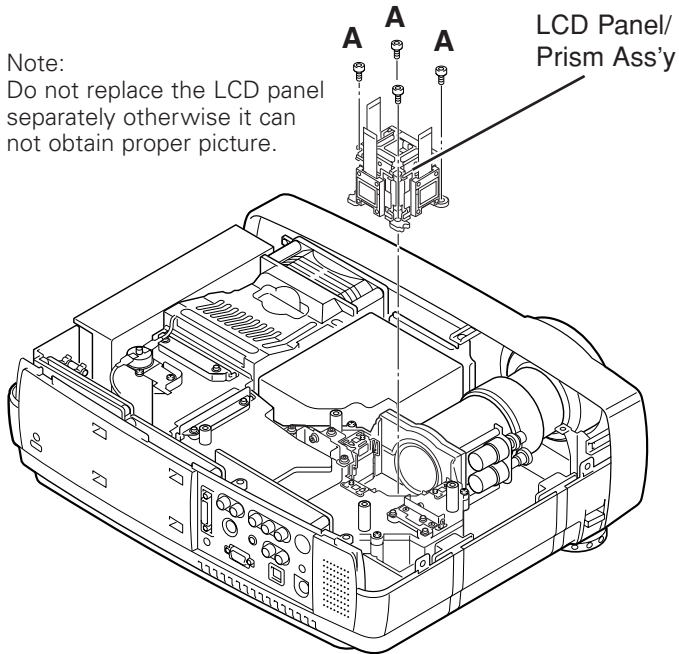
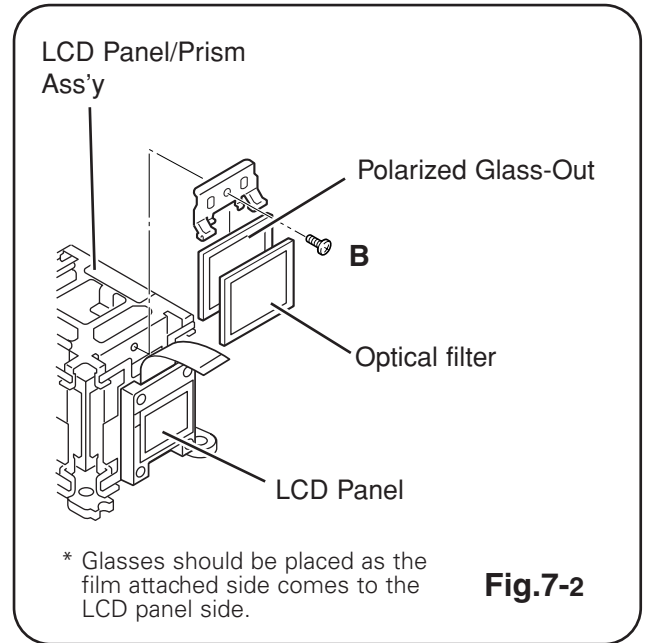


Fig.7-1



8 Optical Unit Top removal

- 1 Remove 9 screws (M3x10) to take the Optical Unit Top off upward.

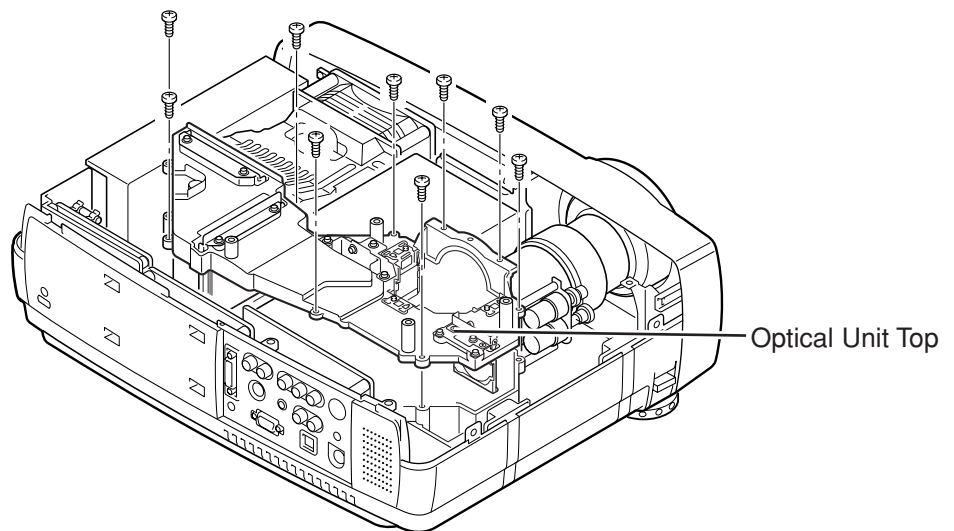
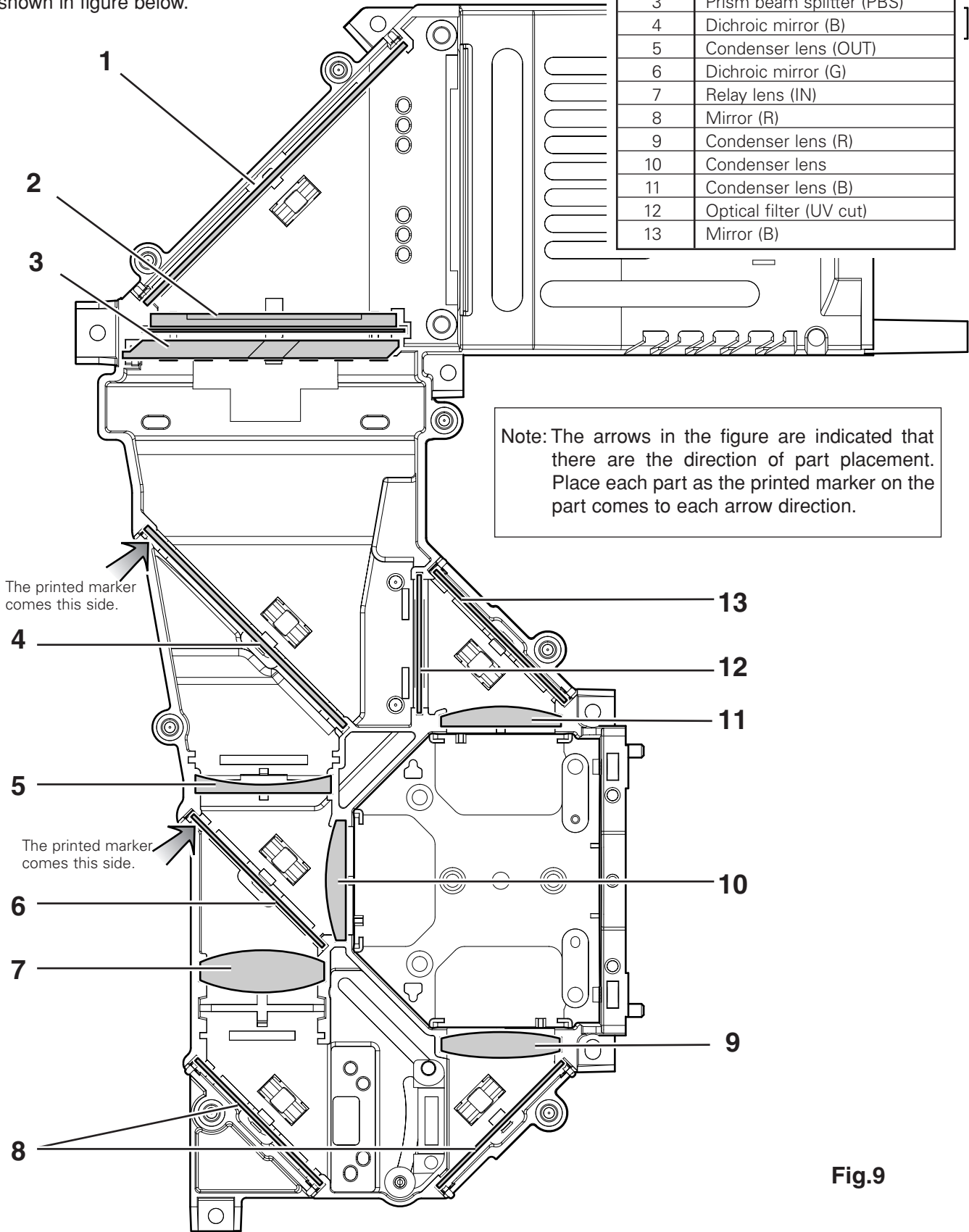


Fig.8

Locations and Directions

When mounting or assembling the optical parts in the optical unit, the parts must be mounted in the specified location and direction as shown in figure below.

Key No.	Description
1	Mirror (W)
2	Integrator lens (OUT)
3	Prism beam splitter (PBS)
4	Dichroic mirror (B)
5	Condenser lens (OUT)
6	Dichroic mirror (G)
7	Relay lens (IN)
8	Mirror (R)
9	Condenser lens (R)
10	Condenser lens
11	Condenser lens (B)
12	Optical filter (UV cut)
13	Mirror (B)



Note: The arrows in the figure are indicated that there are the direction of part placement. Place each part as the printed marker on the part comes to each arrow direction.

Fig.9

■ LCD Panel/Prism Ass'y Replacement

IMPORTANT NOTICE on LCD Panel/Prism Ass'y Replacement

LCD panels used for this model can not be replaced separately. Do not disassemble the LCD Panel/Prism Ass'y. These LCD panels are installed with precision at the factory. When replacing the LCD panel, should be replaced whole of the LCD panels and prism ass'y at once.

After replacing LCD Panel/Prism ass'y, please check the following adjustments.

- Check the "Condenser Lens Adjustment", "Condenser Lens-Out Adjustment" and "Relay Lens-Out Adjustment" following to chapter "Optical Adjustment".
- Check the "White Balance Adjustment", "Common Center Adjustment" and "Gamma Shift Adjustment" following to chapter "Electrical Adjustment".
- Check the white uniformity on the screen.

If you find the color shading, please adjust the white uniformity by using the proper computer and "Color Shading Correction" software supplied separately. The software can be ordered as follows;

COLOR SHADING CORRECTION

Service Parts No. 645 051 2308

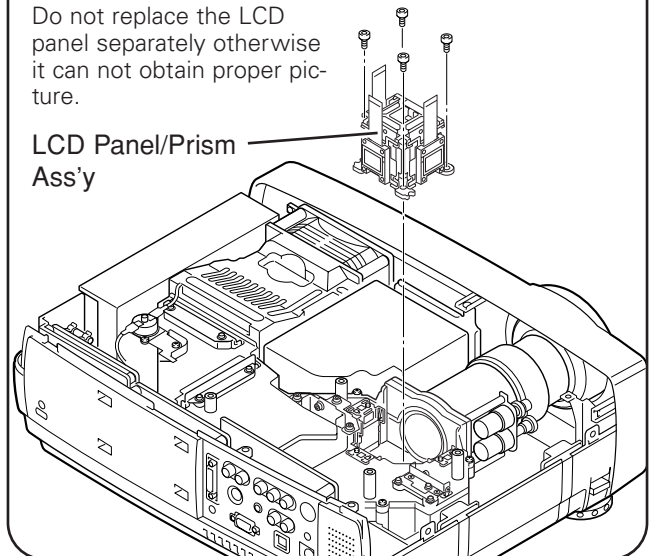
LCD Panel/Prism Ass'y removal

- 1 Remove the cabinet top and main board following to "Mechanical Disassemblies".
- 2 Remove 4 screws by using the 2.0 mm hex driver and take the LCD Panel/Prism ass'y off upward from the optical unit.

Note:

Do not replace the LCD panel separately otherwise it can not obtain proper picture.

LCD Panel/Prism Ass'y



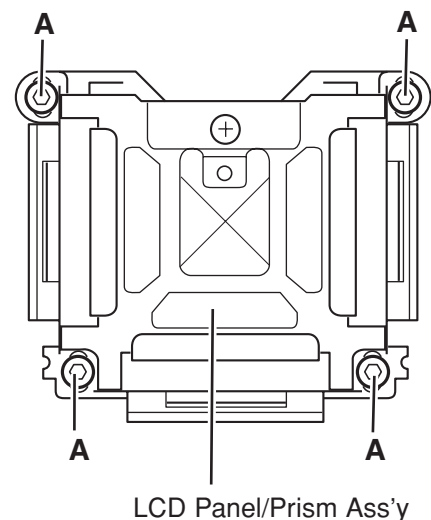
Note on LCD Panel/Prism Ass'y Mounting

After replacing or installing the LCD Panel/Prism ass'y, please make sure to obtain the best focus in both TELE and WIDE zoom. If the focus adjustment is required, please adjust the positioning of LCD Panel/Prism Ass'y by following below procedure.

Mounting Procedure:

- 1 Loosen 4 screws **A** on the LCD Panel/Prism ass'y with 2.0 mm hex driver.
- 2 Turn the projector on and project the image with WIDE zoom, and adjust the FOCUS control to obtain the best focus.
- 3 Turn the ZOOM control to the TELE position.
- 4 Move the LCD Panel/Prism Ass'y backward or forward (about 0mm ~ 0.8mm) to obtain the proper focus. Confirm the focus at TELE and WIDE zoom.
- 5 Tighten 4 screws **A** to fix the LCD Panel/Prism ass'y.

Top View



LCD Panel/Prism Ass'y

Lamp Replacement

WARNING:

- For continued safety, replace with a lamp assembly of the same type.
- Allow the projector to cool for at least 45 minutes before you open the lamp cover. The inside of the projector can become very hot.
- Do not drop the lamp module or touch the glass bulb! The glass can shatter and cause injury.

Procedure

- 1 Turn off the projector and disconnect the AC cord. Allow the projector to cool for at least 45 minutes.
- 2 Remove a screw with a screwdriver and remove the lamp cover.
- 3 Remove 2 screws and pull out the lamp assembly by grasping the handle.
- 4 Replace the lamp assembly securely and tighten 3 screws.
- 5 Place the lamp cover and tighten a screw.
- 6 Connect the AC cord to the projector and turn on.

7 Reset the Lamp Replace Counter, see below explanation.

Note:

- Do not reset the Lamp Replace Counter, except after lamp is replaced.
- The projector can not be turned-on with lamp cover removed, because when the lamp cover is removed, the interlock switch is also released to switch off the mains power for safety.

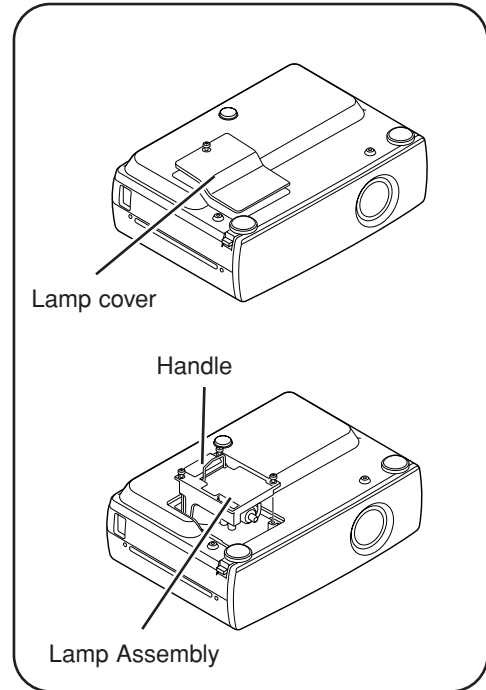
How to reset Lamp Replace Counter

- 1 Turn the projector on, and press the **MENU** button and the on-screen menu will appear. Press the **POINT LEFT/RIGHT** buttons to move a red frame pointer to **SETTING** menu icon.
- 2 Press the **POINT DOWN** button to move a red frame pointer to "Lamp counter reset" and then press the **SELECT** button. The message "Lamp replace counter reset?" is displayed. Move the pointer to [Yes] and the press the **SELECT** button.
- 3 Another confirmation dialog box appears and select [Yes] to reset Lamp Replace Counter .

Please refer to the owners manual for further information.

ORDER REPLACEMENT LAMP

Type No.	Service Parts No.	Model
POA-LMP63	610 304 5214	PLC-XU45
POA-LMP56	610 305 8801	PLC-XU46



Recommendation

Should the air filter become clogged with dust particles, it will reduce the cooling fan's effectiveness and may result in internal heat build up and short lamp life. We recommend cleaning the air filter after the projection lamp is replaced. Refer to "Air Filter Cleaning".

How to check Lamp Replace Counter

The LAMP REPLACEMENT indicator will illuminate when the Lamp Replace Counter reaches 1500 hours. This is to indicate that lamp replacement is required.

You can check the lamp replace counter following to below procedure.

- 1 Press and hold the pointer **UP** on the projector for more than 20 seconds.
- 2 The Lamp replace Counter is displayed on upper left corner of the screen briefly.

The diagram shows a projector screen displaying the lamp replace counter data. A line points from the text 'Lamp replace counter data' to the table on the screen.

Lamp replace counter data

■ Optical Adjustments

Before taking optical adjustments below, remove the Cabinet Top and Main Board following to the “Mechanical Disassemblies”

Adjustments require a 2.0mm hex wrench and a slot screwdriver. When you adjust Condenser lens, Condenser lens-out or Relay lens adjustment, you need to disconnect some connectors and FPC cables of LCD panels on the main board.

Note: Do not disconnect connectors K8N, K8P, K8H, K8R and K8S on the main board, because the projector can not turn on due to operate the power failure protection.

Contrast adjustment

[Before Adjustment]

- Input a 100% of black raster signal.

[R/G/B-CONTRAST ADJUSTMENT]

- 1 Loosen a screw **A** (Fig.1-1/1-2) on the polarized glass mounting base which you intend to adjust.
- 2 Turn the polarized glass mounting base as shown in Fig.1-1 to obtain the darkest brightness on the screen.
- 3 Tighten the screw **A** to fix the polarized glass mounting base.

Repeat steps 1 to 3 for remaining polarized glasses.

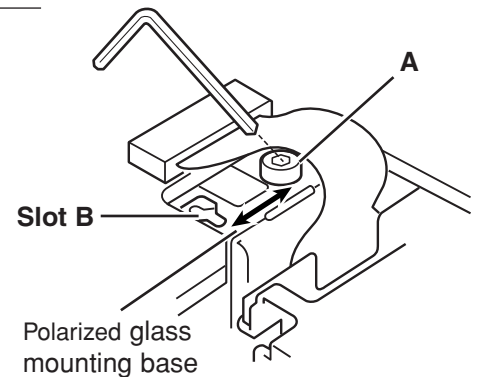


Fig.1-1

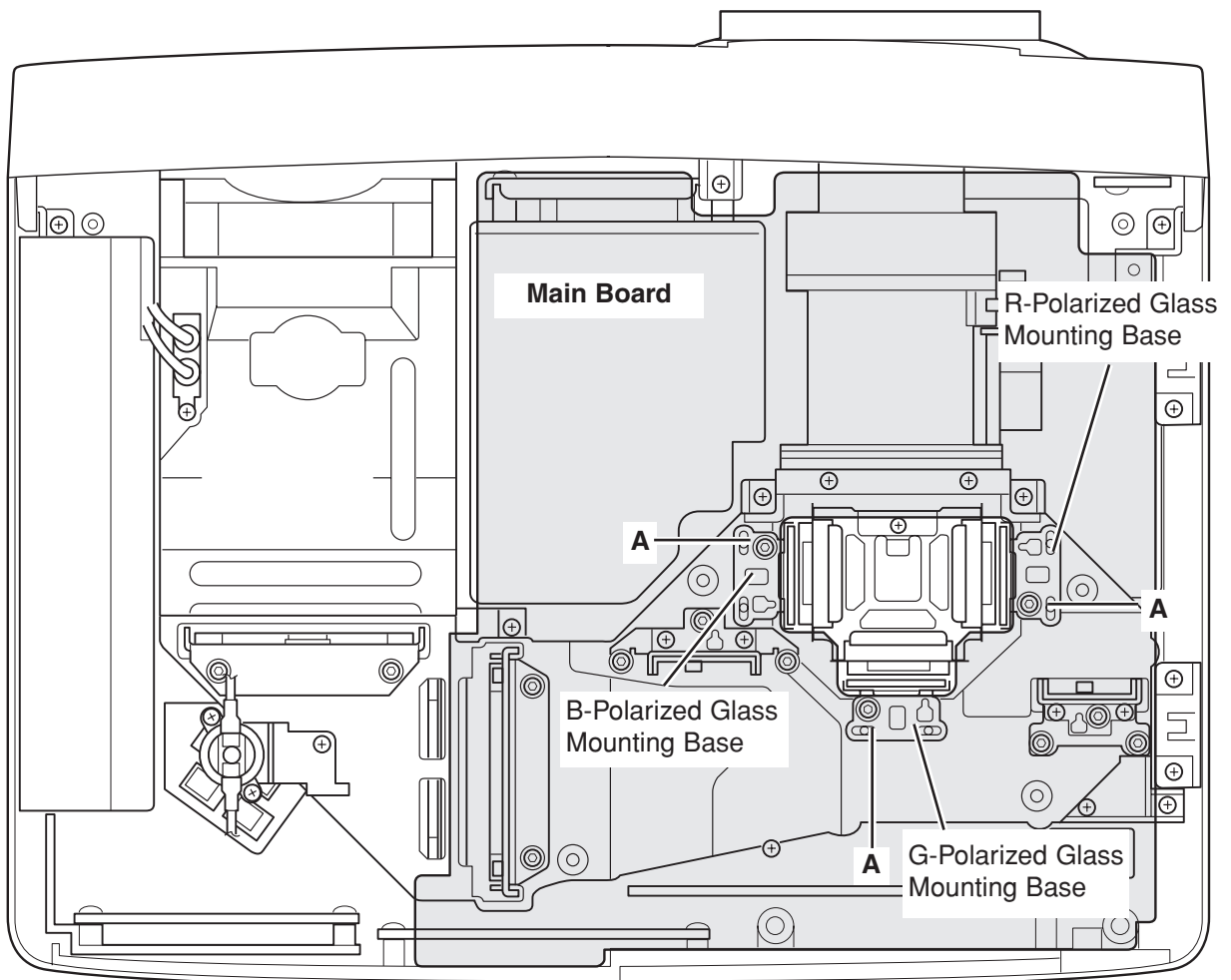
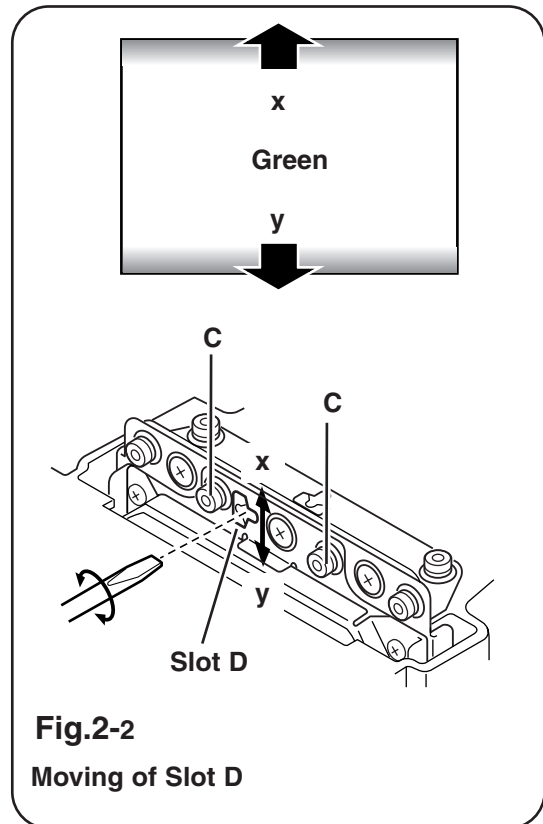
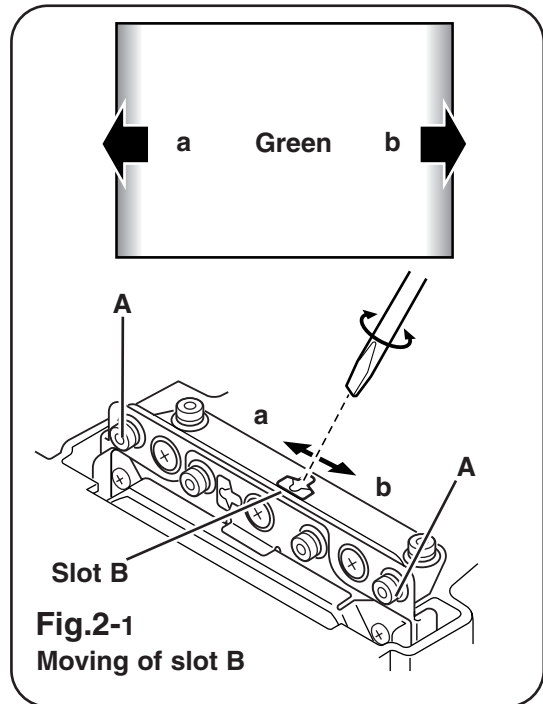
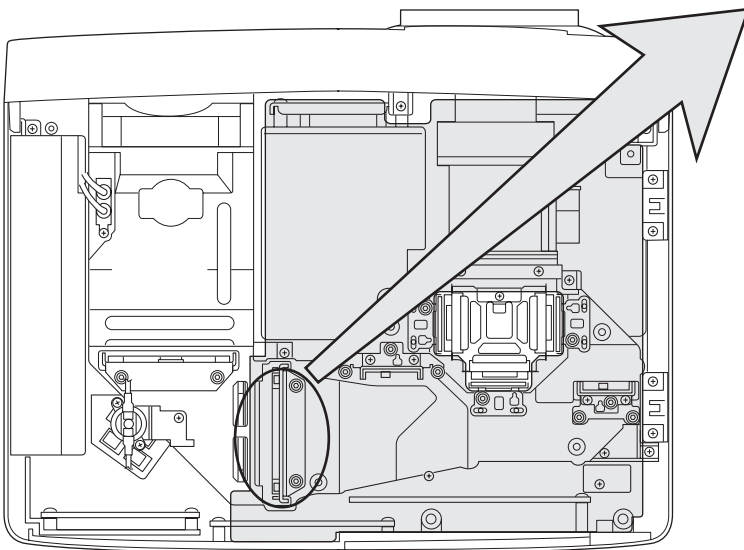


Fig.1-2

Condenser Lens adjustment

- 1 Turn the projector on by a state of without FPC cables.
- 2 Project only green light on the screen.
- 3 Adjust the adjustment base of condenser lens assy to make color uniformity in green.
 - 1) If the shading appears on the left or right of the screen as shown in **Fig.2-1**, loosen 2 screws **A** with the 2.0mm hex driver, and adjust the slot **B** to make color uniformity in green by using a slot screwdriver.
 - 2) If the shading appears on the top or bottom of the screen as shown in **Fig.2-2**, loosen 2 screw **C** with the 2.0mm hex driver, and adjust the slot **D** to make color uniformity in green by using a slot screwdriver
- 4 Tighten screws **A** and **C** to fix the Condenser lens unit.

Note:
The relay lens adjustment must be carried out after completing this adjustment.



Condenser Lens-Out adjustment

- 1 Turn the projector on by a state of without FPC cables.
- 2 Project green and blue lights on the screen.
- 3 Adjust the adjustment base of condenser lens-out assy to make color uniformity in cyan.
 - 1) If the shading appears on the left or right of the screen as shown in **Fig.3-1**, loosen 1 screw **A** with the 2.0mm hex driver, and adjust the slot **B** to make color uniformity in cyan by using a slot screwdriver.
 - 2) If the shading appears on the top or bottom of the screen as shown in **Fig.3-2**, loosen 1 screw **C** with the 2.0mm hex driver, and adjust the slot **D** to make color uniformity in cyan by using a slot screw driver.
- 4 Tighten the screw **A** and **C** to fix the relay lens unit.

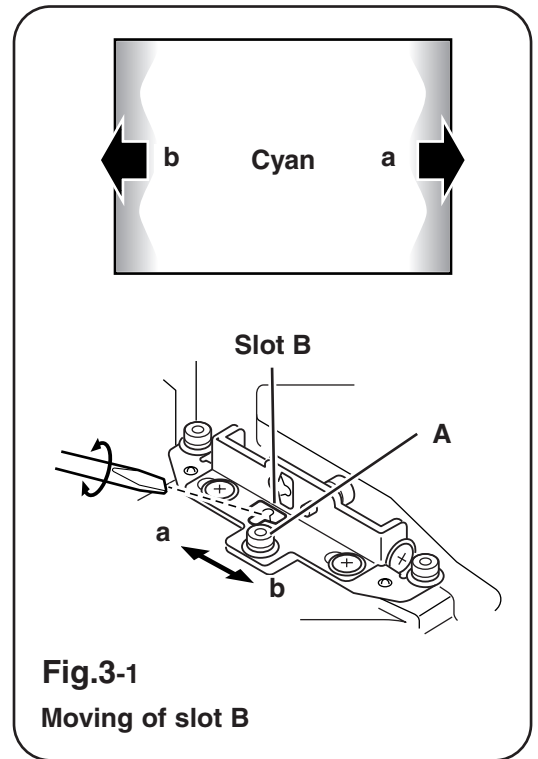


Fig.3-1
Moving of slot B

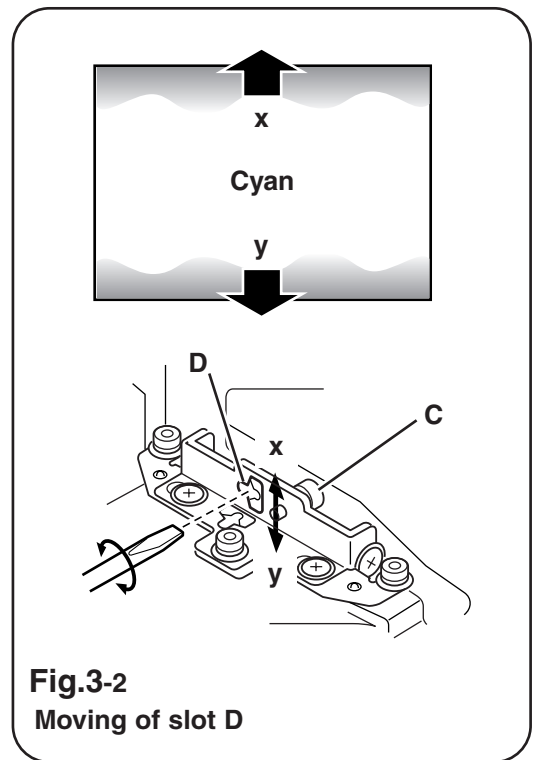
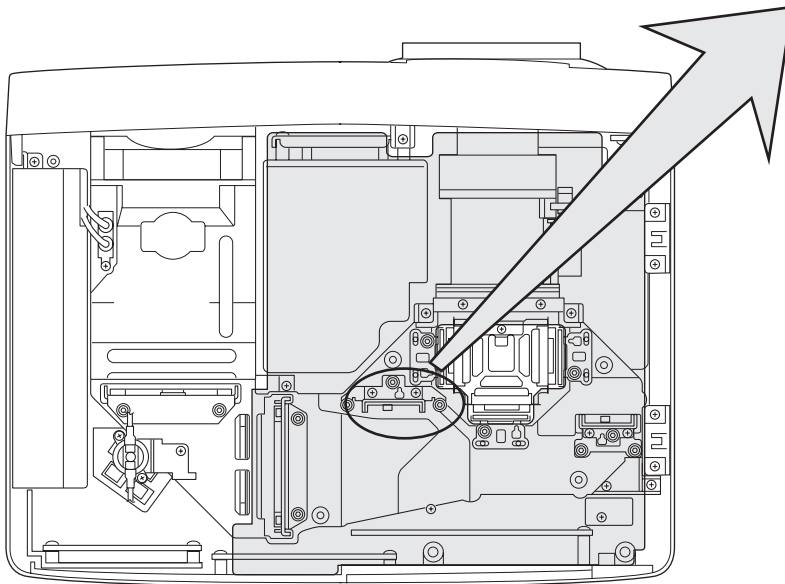
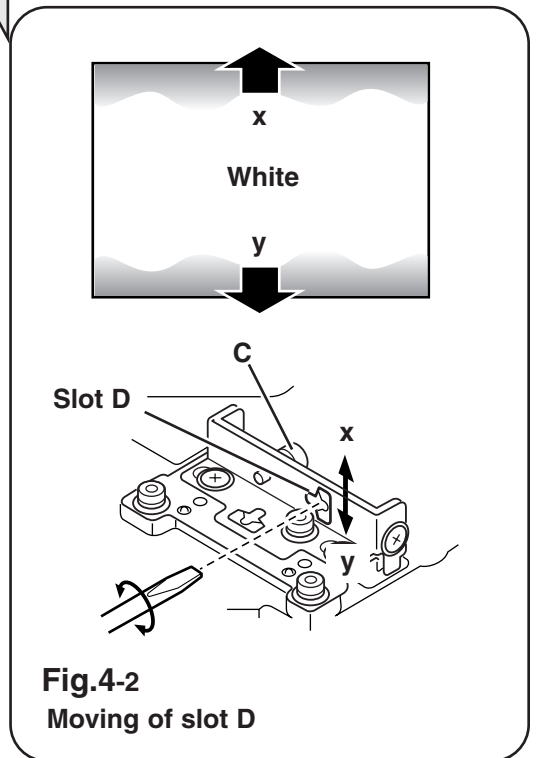
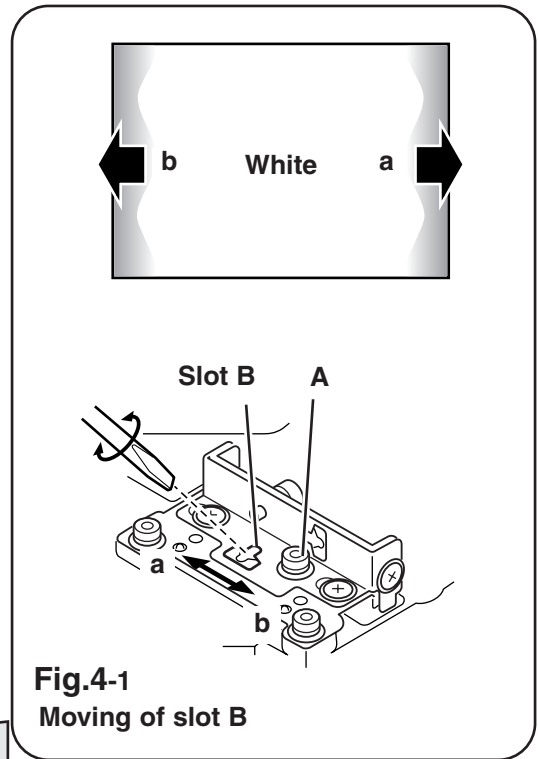
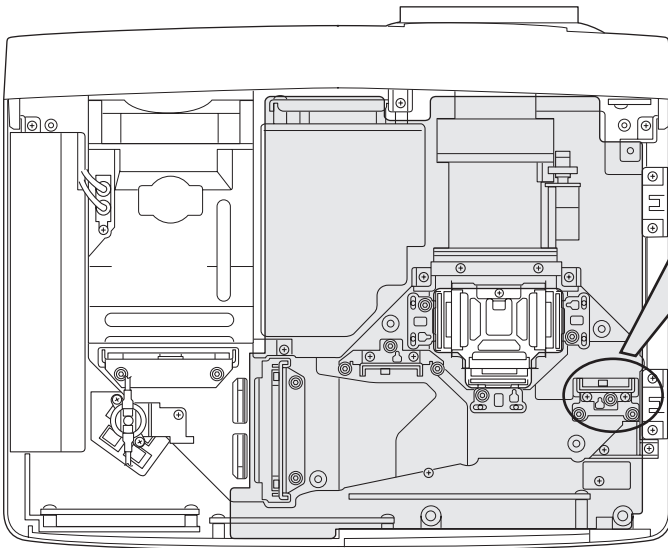


Fig.3-2
Moving of slot D

Relay lens-Out adjustment

- 1 Turn the projector on by a state of without FPC cables.
- 2 Project all of lights on the screen.
- 3 Adjust the adjustment base of relay lens assy to make color uniformity in white.
 - 1) If the shading appears on the left or right of the screen as shown in **Fig.4-1**, loosen 1 screw **A** with the 2.0mm hex driver, and adjust the slot **B** to make color uniformity in white by using a slot screwdriver.
 - 2) If the shading appears on the top or bottom of the screen as shown in **Fig.4-2**, loosen 1 screw **C** with the 2.0mm hex driver, and adjust the slot **D** to make color uniformity in white by using a slot screwdriver.
- 4 Tighten the screws **A** and **C** to fix the relay lens unit.



■ Electrical Adjustments

● Service Adjustment Menu Operation

To enter the service mode

To enter the “Service Mode”, press and hold the **MENU** and **IMAGE** button on the projector at the same time for more than 3 seconds. The service menu appears on the screen as follows.

To adjust service data

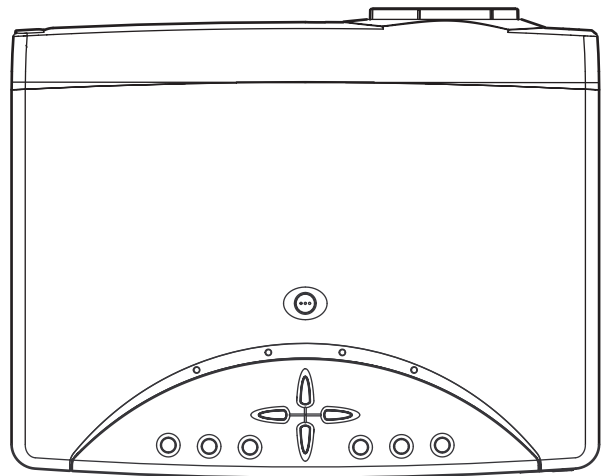
Select the adjustment group no. by pressing the **MENU (+)** or **IMAGE (-)** button, and select the adjustment item no. by pressing the pointer **UP** or **DOWN** button, and change the data value by pressing the **VOLUME –** or **VOLUME +** button. Refer to the “Service Adjustment Data Table” for further description of adjustment group no., item no. and data value.

To exit the service mode

To exit the service mode, press the **POWER ON-OFF** button on the projector or remote control unit.

Service Mode		
Input	Video	
Group	No.	Data
0	0	32
Vsr.		.00

Group No. Item No. Data value



● Memory IC Replacement

IC1801 on the main board stores the data for the service adjustments, and should not be replaced except for the case of defective device.

If replaced, it should be performed the re-adjustments following to the “Electrical Adjustments”.

The data of lamp replacement monitor timer is stored in the IC1801.

Please note that the lamp replace counter is reset when the memory IC (IC1801) is replaced.

(Lamp replace counter can not be set to the previous value.)

● Caution to memory IC replacement

When IC1801 is replaced with new one, the CPU writes down the default data of the service adjustments to the replaced IC, refer to the service adjustment table. As these data are not the same data as factory shipped data, it should be required to perform the re-

adjustments following to the “Electrical Adjustments”. Please note that the lamp replace counter is reset.

● Caution of Main Board replacement (in the case IC1801 is not defective)

When the main board is replaced, IC1801 should be replaced with the one on previous main board. After replacement, it should be required to perform the re-adjustments following to the “Electrical Adjustments”. In this case, the lamp replace counter can be kept the value as before.

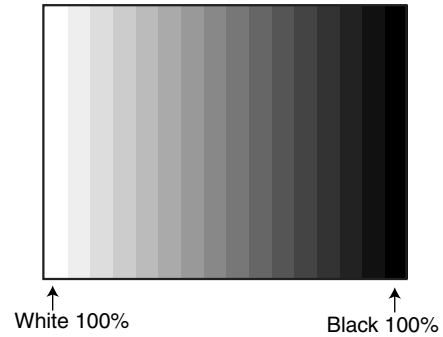
● Circuit Adjustments

CAUTION: The each circuit has been made by the fine adjustment at factory. Do not attempt to adjust the following adjustments except requiring the readjustments in servicing otherwise it may cause loss of performance and product safety.

[Adjustment Condition]

- Input signal
 - Video signal 1.0Vp-p/75Ω terminated, 16 steps gray scale (Composite video signal)
 - Computer signal 0.7Vp-p/75Ω terminated, 16 steps gray scale pattern (XGA)
 - Component Video signal 0.7Vp-p/75Ω terminated, 16 steps gray scale (Component video signal with 480p or 1080i format)
- Picture control mode "STANDARD" mode unless otherwise noted.

16 steps gray scale pattern



Note:

* Please refer to "Service Adjustment Menu Operation" for entering the service mode and adjusting the service data.

Output Voltage adjustment (For PLC-XU45)

After replacing the Power Board, P.F.C. Board, readjust the Output voltage adjustment as follows.

1. Connect a digital voltmeter to pins 1 (+) and 3 (-) of **K6D**.
2. Adjust the voltage by using **VR611** as following.

AC Input	Reading
230V	370V ±2V

Caution: Be sure to connect the lamp when taking this adjustment.

* This adjustment is not required even if the power board is replaced because this adjustment is carried out before parts shipment.

Output Voltage adjustment (For PLC-XU46)

After replacing the Power Board, P.F.C. Board, readjust the Output voltage adjustment as follows.

1. Connect a digital voltmeter to pins 1 (+) and 3 (-) of **K6D**.
2. Adjust the voltage by using **VR611** as following.

AC Input	Reading
230V	380V ±2V

Caution: Be sure to connect the lamp when taking this adjustment.

* This adjustment is not required even if the power board is replaced because this adjustment is carried out before parts shipment.

1 Fan Voltage adjustment (For PLC-XU45)

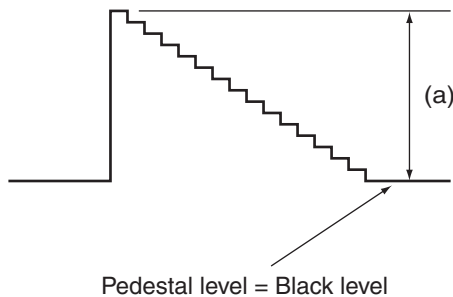
1. Enter the service mode and select group no. "11" and item no. "0". Set data value to "1".
2. Connect a digital voltmeter to test point "TP12V1" (+) and chassis ground (-). Select item no. "1" and adjust the voltage to be **8.0 ±0.1Vdc** by changing the data value.
3. Connect a digital voltmeter to test point "TP12V2" (+) and chassis ground (-). Select item no. "2" and adjust the voltage to be **9.0 ±0.1Vdc** by changing the data value.
4. Select group no. "11" and item no. "0" and set data value to "3".
5. Connect a digital voltmeter to test point "TP12V1" (+) and chassis ground (-). Select item no. "3" and adjust the voltage to be **13.5 ±0.1Vdc** by changing the data value.
6. Connect a digital voltmeter to test point "TP12V2" (+) and chassis ground (-). Select item no. "4" and adjust the voltage to be **13.5 ±0.1Vdc** by changing the data value.

1 Fan Voltage adjustment (For PLC-XU46)

1. Enter the service mode and select group no. "11" and item no. "0". Set data value to "1".
2. Connect a digital voltmeter to test point "TP12V1" (+) and chassis ground (-). Select item no. "1" and adjust the voltage to be **8.0 ±0.1Vdc** by changing the data value.
3. Connect a digital voltmeter to test point "TP12V2" (+) and chassis ground (-). Select item no. "2" and adjust the voltage to be **10.0 ±0.1Vdc** by changing the data value.
4. Select group no. "11" and item no. "0" and set data value to "3".
5. Connect a digital voltmeter to test point "TP12V1" (+) and chassis ground (-). Select item no. "3" and adjust the voltage to be **13.5 ±0.1Vdc** by changing the data value.
6. Connect a digital voltmeter to test point "TP12V2" (+) and chassis ground (-). Select item no. "4" and adjust the voltage to be **13.5 ±0.1Vdc** by changing the data value.

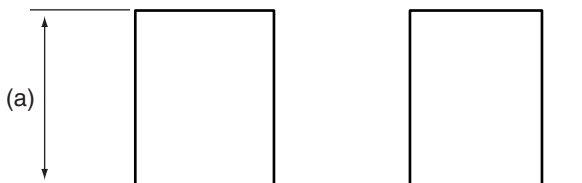
2 Pedestal adjustment

1. Receive the 16-step grey scale video signal.
2. Set to **VIDEO** mode.
3. Enter the service mode.
4. Connect an oscilloscope to test point "TP201R" (+) and chassis ground (-).
5. Select group no. "3", item no. "14" and change data value to adjust the pedestal level and black level to be the same level.
6. Connect an oscilloscope to test point "TP201G" (+) and chassis ground (-).
7. Select group no. "3", item no. "15" and change data value to adjust the pedestal level and black level to be the same level.
8. Connect an oscilloscope to test point "TP201B" (+) and chassis ground (-).
9. Select group no. "3", item no. "16" and change data value to adjust the pedestal level and black level to be the same level.



3 NRS adjustment

1. Receive the 16-step grey scale computer signal.
2. Set to **COMPUTER** mode.
3. Connect an oscilloscope to test point "TP3551" (+) and chassis ground (-).
4. Enter the service mode, select group no. "3", item no. "7" and change data value to adjust amplitude "a" to be $5.5 \pm 0.1V$.

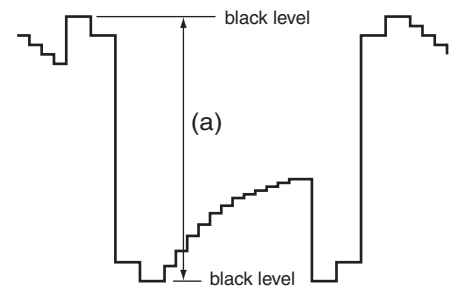


4 Signal Center adjustment

1. Receive the 16-step grey scale computer signal.
2. Set to **COMPUTER** mode.
3. Enter the service mode.
4. Connect a digital voltmeter to test point "TP25R1" (+) and chassis ground (-).
5. Select group no. "3", item no. "0" and change data value to adjust the voltage to be $7.30 \pm 0.05V$.
6. Connect a digital voltmeter to test point "TP25G1" (+) and chassis ground (-).
7. Select group no. "3", item no. "1" and change data value to adjust the voltage to be $7.30 \pm 0.05V$.
8. Connect a digital voltmeter to test point "TP25B1" (+) and chassis ground (-).
9. Select group no. "3", item no. "2" and change data value to adjust the voltage to be $7.30 \pm 0.05V$.

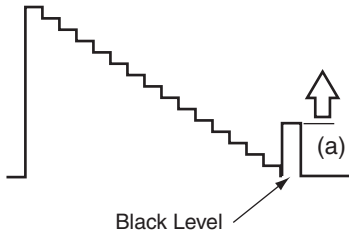
5 Black Level adjustment

1. Receive the 16-step grey scale computer signal.
2. Set to **COMPUTER** mode.
3. Enter the service mode.
4. Connect an oscilloscope to test point "TP25R1" (+) and chassis ground (-).
5. Select group no. "3", item no. "3" and change data value to adjust amplitude "a" to be $10.0 \pm 0.1V$.
6. Connect an oscilloscope to test point "TP25G1" (+) and chassis ground (-).
7. Select group no. "3", item no. "4" and change data value to adjust amplitude "a" to be $10.0 \pm 0.1V$.
8. Connect an oscilloscope to test point "TP25B1" (+) and chassis ground (-).
9. Select group no. "3", item no. "5" and change data value to adjust amplitude "a" to be $10.0 \pm 0.1V$.



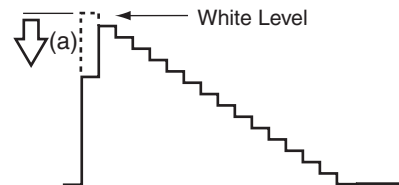
6 PC Offset adjustment

1. Receive the 16-step gray scale computer signal.
2. Set to **COMPUTER** mode.
3. Enter the service mode.
4. Connect an oscilloscope to test point "TP25R1" (+) and chassis ground (-).
5. Select group no. "3", item no. "11" and change data value to adjust the waveform "a" (black portion) to be maximum amplitude.
6. Connect an oscilloscope to test point "TP25G1" (+) and chassis ground (-).
7. Select group no. "3", item no. "12" and change data value to adjust the waveform "a" (black portion) to be maximum amplitude.
8. Connect an oscilloscope to test point "TP25B1" (+) and chassis ground (-).
9. Select group no. "3", item no. "13" and change data value to adjust the waveform "a" (black portion) to be maximum amplitude.



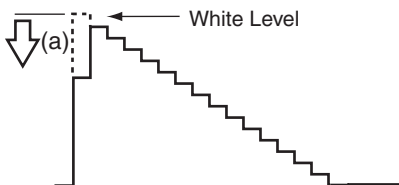
8 AV Gain adjustment

1. Receive the 16-step gray scale video signal.
2. Set to **VIDEO** mode.
3. Enter the service mode.
4. Connect an oscilloscope to test point "TP25R1" (+) and chassis ground (-).
5. Select group no. "2", item no. "3" and change data value to adjust waveform "a" to be minimum amplitude.
6. Connect an oscilloscope to test point "TP25G1" (+) and chassis ground (-).
7. Select group no. "2", item no. "4" and change data value to adjust waveform "a" to be minimum amplitude.
8. Connect an oscilloscope to test point "TP25B1" (+) and chassis ground (-).
9. Select group no. "2", item no. "5" and change data value to adjust waveform "a" to be minimum amplitude.



7 PC Gain adjustment

1. Receive the 16-step gray scale computer signal.
2. Set to **COMPUTER** mode.
3. Enter the service mode.
4. Connect an oscilloscope to test point "TP25R1" (+) and chassis ground (-).
5. Select group no. "2", item no. "3" and change data value to adjust waveform "a" to be minimum amplitude.
6. Connect an oscilloscope to test point "TP25G1" (+) and chassis ground (-).
7. Select group no. "2", item no. "4" and change data value to adjust waveform "a" to be minimum amplitude.
8. Connect an oscilloscope to test point "TP25B1" (+) and chassis ground (-).
9. Select group no. "2", item no. "5" and change data value to adjust waveform "a" to be minimum amplitude.



9 Common Center adjustment

1. Receive the 1 dot black & white pattern computer signal.
2. Set to **COMPUTER** mode.
3. Enter the service mode.
4. Project only green light component to the screen.
5. Select group no. "3", item no. "8" and change data value to obtain the minimum flicker on the screen.
6. Project only blue light component to the screen.
7. Select group no. "3", item no. "9" and change data value to obtain the minimum flicker on the screen.
8. Project only red light component to the screen.
9. Select group no. "3", item no. "10" and change data value to obtain the minimum flicker on the screen.

10 Gamma Shift adjustment

[PC-GAMMA OFF ADJUSTMENT]

1. Receive the 16-step gray scale computer signal.
2. Set to **COMPUTER** mode.
3. Enter the service mode, select group no. "2", item no. "6" and change data value to reproduce the proper gray scale picture on the screen.

[AV-GAMMA OFF ADJUSTMENT]

4. Receive the 16-step gray scale video signal.
5. Set to **VIDEO** mode.
6. Enter the service mode, select group no. "2", item no. "6" and change data value to reproduce the proper gray scale picture on the screen.

11 White Balance adjustment

[PC WHITE BALANCE ADJUSTMENT]

1. Receive the 16-step gray scale computer signal.
2. Set to **COMPUTER** mode.
3. Enter the service mode, select group no. "2", item no. "7" (Red) or "8" (Blue), and change data values respectively to make a proper white balance.

[AV WHITE BALANCE ADJUSTMENT]

4. Receive the 16-step grey scale video signal.
5. Set to **VIDEO** mode.
6. Enter the service mode, select group no. "2", item no. "7" (Red) or "8" (Blue), and change data values respectively to make a proper white balance.

Confirm that the same white balance is obtained in video and computer input.

NOTE ON WHITE UNIFORMITY ADJUSTMENT

If you find the color shading on the screen, please adjust the white uniformity by using the proper computer and "Color Shading Correction" software supplied separately. The software can be ordered as follows;

COLOR SHADING CORRECTION
Service Parts No. 645 051 2308

● Service Adjustment Data Table

These initial values are the reference data written from the CPU ROM to memory IC when replaced new memory IC. The adjustment items indicated with “*:” are required to readjust following to the “Electrical adjustments”. Other items should be used with the initial data value.

No.	Adjustment Item	Initial Value	Range	Input source / Description
Group: 0 TB1274				
0	TINT	32	0 ~ 63	
1	SHP_EQ	2	0 ~ 3	
2	SHP_FO	1	0 ~ 3	
3	SHP_GAIN	10/10/10/10	0 ~ 15	VideoNT,PAL,PALM,PALN/SECAM,NT443/S-Video/YCbCr
4	Y_OUT_LEVEL	30/30/31/31/ 30/31/31/31/ 30/31/31/31	0 ~ 63	VideoNT/VideoNT443/PAL,PALM,PALN/SECAM/ S-VideoNT,NT443/S-VideoPAL/S-VideoSECAM/YCbCr
5	C_OUT_LEVEL	32/32/32/32/ 32/32/32/32	0 ~ 63	VideoNT/VideoNT443/PAL,PALM,PALN/SECAM/ S-VideoNT,NT443/S-VideoPAL/S-VideoSECAM/YCbCr
6	Y_DELAY	6/6/6/4/4 4/4/3/3/4	0 ~ 15	Video NT/PAL,PALM,PALN/SECAM/NT443/PAL60 S-Video NT/PAL,PALM,PALN/SECAM/NT443/PAL60
7	COL_SYS	-	-	Read only
8	X TAL	-	-	
9	NOISE_DET	-	-	
10	V_FREQ	-	-	
11	Vert. Std	-	-	
12	CID	-	-	
13	V_SIG	-	-	
14	Cinema SHP_GAIN	8/8/8/8	0 ~ 15	For Cinema VideoNT,PAL,PALM,PALN/SECAM,NT443/S-Video/YCbCr
15	NVM			
16	AFC_GAIN			
17	V-C/D MODE	0	0-3	
Group: 1 CXA2101				
0	PICTURE	30	0 ~ 63	
1	BRIGHT	31	0 ~ 63	
2	R_DRIVE	31	0 ~ 63	
3	G_DRIVE	31	0 ~ 63	
4	B_DRIVE	31	0 ~ 63	
5	HSEP_SEL	1	0 ~ 1	
6	CR_OFFSET1	7/10	0 ~ 15	15KHz/others
7	CB_OFFSET1	7/10	0 ~ 15	15KHz/others
8	BLK_BOTTOM	15	0 ~ 15	
9	R-Y/R	6/13/6/6	0 ~ 15	YPbPr without NT,NT443/PAL,SECAM/1035i/YCbCr,1035i
10	R-Y/B	5/15/5/5	0 ~ 15	
11	G-Y/R	8/8/8/8	0 ~ 15	
12	G-Y/B	10/4/10/10	0 ~ 15	
13	MAT_OUT	0/0/0/1	0 ~ 3	
14	SYSTEM	0/1/2	0 ~ 3	15KHz(NT,PAL,SECAM,NT443,PALM,PALN,480i,575i) / 480p,575p / 1080i,1035i,720p
15	V_TC	3/3/3	0 ~ 3	
16	H_WIDTH	3/2/0	0 ~ 3	
17	HS_MASK	0/1/1	0 ~ 1	
18	CTI_LEVEL	2/2/2/2	0 ~ 3	Video,S-Video/15KHz(NT,PAL,SECAM,NT443,PALM,PALN,480i,575i) / 480p,575p / 1080i,1035i,720p
19	SUB_SHP	3/3/3	0 ~ 3	15KHz(NT,PAL,SECAM,NT443,PALM,PALN,480i,575i) / 480p,575p / 1080i,1035i,720p
20	SHP_FO	0/2/3	0 ~ 3	
21	PRE_OVER	2/2/3	0 ~ 3	
22	LTI_LEVEL	0/1/1	0 ~ 3	15KHz(NT,PAL,SECAM,NT443,PALM,PALN,480i,575i) / 480p,575p / 1080i,1035i,720p
23	D_PIC	0/0/0	0 ~ 3	15KHz(NT,PAL,SECAM,NT443,PALM,PALN,480i,575i) / 480p,575p / 1080i,1035i,720p
24	HUE	31	0 ~ 63	Adjustable at PAL,SECAM
25	SUB_COL	3/3/10/ 10/4/7	0 ~ 15	NT,NT443/PAL,SECAM/525i,480p/625i,575p/1035i/1035i and others
26	SUB_HUE	7/7/8/ 7/9/6	0 ~ 15	NT,NT443/PAL,SECAM/525i,480p/625i,575p/1035i/1035i and others
27	Cinema CTI_LEVEL	2	0 ~ 3	This data value is fixed at Cinema Mode.
28	Cinema LTI_LEVEL	0	0 ~ 3	This data value is fixed at Cinema Mode.
Group: 2 L3E07050 (Digital Gamma, Color Shading & Timing Controller)				
0	R_SUB_BRT	0/0	0 ~ 1023	PC/DVI(MCI),AV
1	G_SUB_BRT	0/0	0 ~ 1023	
2	B_SUB_BRT	0/0	0 ~ 1023	
3	R_SUB_GAIN	573/573/492	0 ~ 1023	PC/AV/DVI(MCI) *: Gain Adjustment [R]
4	G_SUB_GAIN	573/573/492	0 ~ 1023	PC/AV/DVI(MCI) *: Gain Adjustment [G]
5	B_SUB_GAIN	573/573/492	0 ~ 1023	PC/AV/DVI(MCI) *: Gain Adjustment [B]
6	Standard G GAMMA SHIFT	415/415	*note1	PC,DVI(MCI) Std /AV Std *Change RGB data at same time *: Gamma Shift Adjustment
7	Standard R GAMMA SHIFT	415/415	*note1	PC,DVI(MCI) Std /AV Std *: White Balance Adjustment
8	Standard B GAMMA SHIFT	415/415	*note1	PC,DVI(MCI) Std /AV Std *: White Balance Adjustment
9	Standard GAMMA 0	0/0	0 ~ 1023	
10	Standard GAMMA 1	210/166	0 ~ 1023	

Electrical Adjustments

No.	Adjustment Item	Initial Value	Range	Input source / Description	
11	Standard GAMMA 2	340/290	0 ~ 1023	PC,DVI(MCI) Standard / AV Standard	
12	Standard GAMMA 3	436/406	0 ~ 1023		
13	Standard GAMMA 4	511/496	0 ~ 1023		
14	Standard GAMMA 5	574/560	0 ~ 1023		
15	Standard GAMMA 6	633/626	0 ~ 1023		
16	Standard GAMMA 7	674/672	0 ~ 1023		
17	Standard GAMMA 8	709/709	0 ~ 1023		
18	Standard GAMMA 9	740/740	0 ~ 1023		
19	Standard GAMMA 10	770/770	0 ~ 1023		
20	Standard GAMMA 11	800/800	0 ~ 1023		
21	Standard GAMMA 12	832/838	0 ~ 1023		
22	Standard GAMMA 13	884/877	0 ~ 1023		
23	Standard GAMMA 14	950/940	0 ~ 1023		
24	Standard GAMMA 15	1023/1023	0 ~ 1023		
25	Real/Cinema G GAMMA SHIFT	506/507	*note1		
26	Real/Cinema R GAMMA SHIFT	512/512	*note1		
27	Real/Cinema B GAMMA SHIFT	504/504	*note1		
28	Real/Cinema GAMMA 0	512/512	0 ~ 1023		PC,DVI(MCI) Real / AV Cinema (Differential value from Standard)
29	Real/Cinema GAMMA 1	492/538	0 ~ 1023		
30	Real/Cinema GAMMA 2	497/524	0 ~ 1023		
31	Real/Cinema GAMMA 3	502/519	0 ~ 1023		
32	Real/Cinema GAMMA 4	507/516	0 ~ 1023		
33	Real/Cinema GAMMA 5	509/515	0 ~ 1023		
34	Real/Cinema GAMMA 6	510/512	0 ~ 1023		
35	Real/Cinema GAMMA 7	510/511	0 ~ 1023		
36	Real/Cinema GAMMA 8	510/510	0 ~ 1023		
37	Real/Cinema GAMMA 9	510/510	0 ~ 1023		
38	Real/Cinema GAMMA 10	510/510	0 ~ 1023		
39	Real/Cinema GAMMA 11	509/510	0 ~ 1023		
40	Real/Cinema GAMMA 12	508/510	0 ~ 1023		
41	Real/Cinema GAMMA 13	506/509	0 ~ 1023		
42	Real/Cinema GAMMA 14	502/502	0 ~ 1023		
43	Real/Cinema GAMMA 15	512/512	0 ~ 1023		
44	R2	127	0 ~ 255	Correction for R-vertical line	
45	G2	127	0 ~ 255	Correction for G-vertical line	
46	B2	127	0 ~ 255	Correction for B-vertical line	
47	Red MID2 Level	453	0 ~ 1023	*Grayscale level adjustment	
48	Red MID1 Level	500	0 ~ 1023		
49	Red MAX Level	576	0 ~ 1023		
50	Green MID2 Level	453	0 ~ 1023		
51	Green MID1 Level	500	0 ~ 1023		
52	Green MAX Level	575	0 ~ 1023		
53	Blue MID2 Level	418	0 ~ 1023		
54	Blue MID1 Level	465	0 ~ 1023		
55	Blue MAX Level	541	0 ~ 1023		
56	DVI Standard G GAMMA SHIFT	512	0 ~ 1023	DVI(MCI) Differential value *Change only G	
57	DVI Standard R GAMMA SHIFT	512	0 ~ 1023	DVI(MVI) Differential value	
58	DVI Standard B GAMMA SHIFT	512	0 ~ 1023	DVI(MCI) Differential value	
Group: 3 DAC					
0	R_VIDEO_CENTER	74	0 ~ 255	* R-Signal Center Adjustment	
1	G_VIDEO_CENTER	74	0 ~ 255	* G-Signal Center Adjustment	
2	B_VIDEO_CENTER	74	0 ~ 255	* B-Signal Center Adjustment	
3	REF_R	136	0 ~ 255	* R-Black Level Adjustment	
4	REF_G	136	0 ~ 255	* G-Black Level Adjustment	
5	REF_B	136	0 ~ 255	* B-Black Level Adjustment	
6	NRS_B	128	0 ~ 255	* NRS Adjustment	
7	NRS_A	190	0 ~ 255	* NRS Adjustment	
8	G_V_COM	140	0 ~ 255	* G-Common Center Adjustment	
9	B_V_COM	140	0 ~ 255	* B-Common Center Adjustment	
10	R_V_COM	140	0 ~ 255	* R-Common Center Adjustment	
11	R_CLMP	63	0 ~ 255	* R-Offset Adjustment	
12	G_CLMP	63	0 ~ 255	* G-Offset Adjustment	
13	B_CLMP	63	0 ~ 255	* B-Offset Adjustment	
14	R_BLK_DC	76	0 ~ 255	* R-AV Pedestal Adjustment	
15	G_BLK_DC	76	0 ~ 255	* G-AV Pedestal Adjustment	
16	B_BLK_DC	76	0 ~ 255	* B-AV Pedestal Adjustment	
Group: 4 TA1318					
0	SEP_LEV	0/0/0/0	0 ~ 3	15KHz/31KHz/33KHz/45KHz	
1	HD_PHASE	36/38/36/32/32	0 ~ 63	1080i/720p/480p/575i,PAL,SECAM/480i,NTSC	
2	V_FREQ	-	-	Read only	
3	H_FREQ	-	-		
4	HD_IN	-	-		
Group: 5 LP05 (Turbo)					
0	LP05_R_GAIN	128	0 ~ 255		
1	LP05_G_GAIN	128	0 ~ 255		

Electrical Adjustments

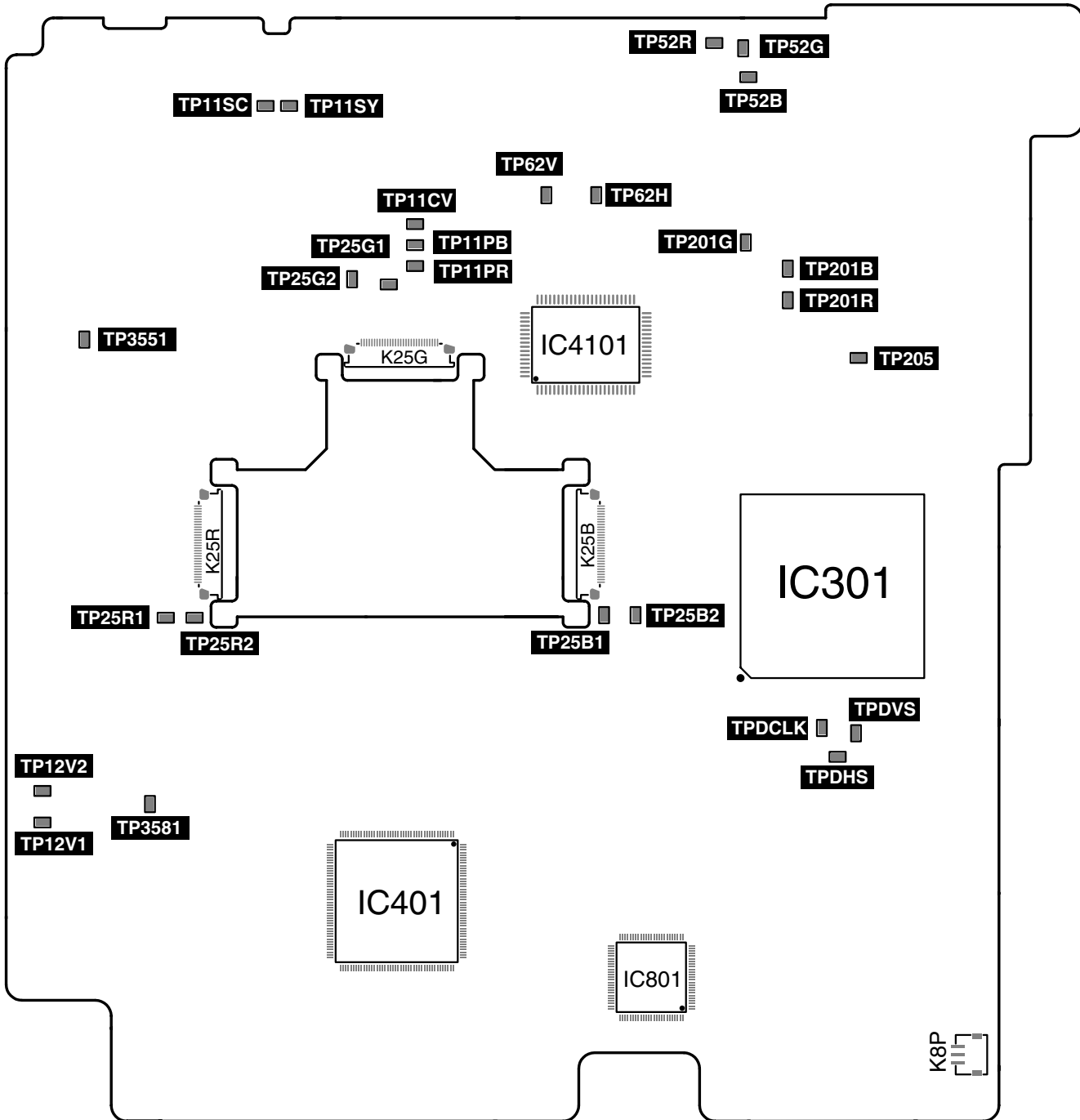
No.	Adjustment Item	Initial Value	Range	Input source / Description
2	LP05_B_GAIN	128	0 ~ 255	
3	TURBO_GAIN	19	0 ~ 255	
Group: 10 Option				
0	Lamp Time Monitor	-	-	Read only
1	RS232C Baudrate	0	0 ~ 1	0: 19200bps 1: 9600bps
2	Shootout Mode	0	0 ~ 2	1: Mode-1 (change when no signal) 2: Mode-2 (AV-priority) 0: Disable
3	Cooling Time	3	0 ~ 15	Cooling time periods 1: 30 sec. 3: 90sec. 15: 450sec. 0: continuous-on
4	Hi-Land SW	0	0 ~ 1	0: Normal mode (Normal operation) 1: Highland mode (Fan max speed)
5	V-Douki SW	0	0 ~ 1	0: V-sync 1: no V-sync
6	Color Shading SW	1	0 ~ 1	Color shading correction 0: On 1: Off Not memorized
7	MCI Output Auto	1	0 ~ 1	1: Auto for output from MCI 0: Fixed output to Panel size
8	Keystone Option	0	0 ~ 1	0: Fixed Limitation 1: Vary limitation at Input
9	Syukka SW	0	0 ~ 10	Reset control values when this value reaches 10.
10	Power Fail Monitor	0	0 ~ 10	Read only
11	MUPO Option	0	0 ~ 4	0: 90°C 1: 53°C 2: 37°C 28°C 4: 13°C
Group: 11 Fan Control				
0	Fan Speed Mode	0	0 ~ 3	0: FanControl-On 1: min 2: Mid 3: Max Adjustable but not memorized ※ Fan Control Adjustment
1	Fan-1 Min Data	44	0 ~ 127	Decides minimum output data at fan control. ※ Fan Control Adjustment
2	Fan-2 Min Data	63	0 ~ 127	Decides minimum output data at fan control. ※ Fan Control Adjustment
3	Fan-1 Max Data	217	128 ~ 255	Decides maximum output data at fan control. ※ Fan Control Adjustment
4	Fan-2 Max Data	236	128 ~ 255	Decides maximum output data at fan control. ※ Fan Control Adjustment
5	Temp Low	37	10 ~ 80	Data to decide the DAC output for Temp.
6	Temp High	45	30 ~ 80	Compensates linearly DAC min. at the value of Temp Low and DAC max. at the Temp High.
7	Fan-1 Temp Error	56	30 ~ 80	Temperature to judge the abnormal temp. for cabinet, optical and Man unit.
8	Fan-2 Temp Error	48	30 ~ 80	Temperature to judge the abnormal temp. for external temp and other unit.
9	Fan-1 Speed Monitor	-	0 ~ 255	Read only (cabinet, optical, Man unit)
10	Fan-2 Speed Monitor	-	0 ~ 255	Read only (External temp, other unit)
11	Temp Monitor	-	0 ~ 9999	Read only, upper 2 bytes for Fan-1 and lower 2 types for Fan-2.
12	Eco Mode Fan-1 Min Data	229/229	0 ~ 255	Eco Mode Deferential value from standard(0: ±0, 1: ±1, 255: -1)
13	Eco Mode Fan-2 Min Data	229/197	0 ~ 255	*Depending on the type of lamp. (Osram/Philips)
14	Eco Mode Fan-1 Max Data	182/182	0 ~ 255	
15	Eco Mode Fan-2 Max Data	182/182	0 ~ 255	
Group: 12 PC Real / AV Cinema				
0	PC Real Contrast	32	0 ~ 63	
1	PC Real Brightness	32	0 ~ 63	
2	PC Real Red	32	0 ~ 63	
3	PC Real Green	32	0 ~ 63	
4	PC Real Blue	32	0 ~ 63	
5	PC Real Gamma	8	0 ~ 15	
6	AV Cinema Contrast	32	0 ~ 63	
7	AV Cinema Brightness	32	0 ~ 63	
8	AV Cinema Color	32	0 ~ 63	
9	AV Cinema Tint	32	0 ~ 63	
10	AV Cinema Red	32	0 ~ 63	
11	AV Cinema Green	32	0 ~ 63	
12	AV Cinema Blue	32	0 ~ 63	
13	AV Cinema Sharpness	15	0 ~ 31	
14	AV Cinema Gamma	8	0 ~ 15	
Group: 500 ADC				
0	ADC R-OFFSET	128	0 ~ 255	
1	ADC G-OFFSET	128	0 ~ 255	
2	ADC B-OFFSET	128	0 ~ 255	
3	ADC R-GAIN	254	0 ~ 255	
4	ADC G-GAIN	254	0 ~ 255	
5	ADC B-GAIN	254	0 ~ 255	
6	ADC BandWidth PC	3	0 ~ 3	
7	ADC BandWidth AV	3	0 ~ 3	
Group: 510 NTSC Gakaku				
0	NTSC TOTAL DOTS	2626	0 ~ 2047	
1	NTSC DISP DOTS	1024	0 ~ 2047	
2	NTSC H BACK PORCTH	230	0 ~ 2047	
3	NTSC V BACK PORCTH	46	0 ~ 2047	
4	NTSC DISP LINE	456	0 ~ 2047	
5	NTSC CLAMP	4	0 ~ 2047	
Group: 511 PAL Gakaku				
0	PAL TOTAL DOTS	2694	0 ~ 2047	
1	PAL DISP DOTS	1024	0 ~ 2047	
2	PAL H BACK PORCTH	266	0 ~ 2047	
3	PAL V BACK PORCTH	62	0 ~ 2047	
4	PAL DISP LINE	533	0 ~ 2047	
5	PAL CLAMP	4	0 ~ 2047	
Group: 512 HDTV 1080i-60 Gakaku				
0	TOTAL DOTS	1206	0 ~ 2047	
1	DISP DOTS	1024	0 ~ 2047	
2	H BACK PORCTH	145	0 ~ 2047	

Electrical Adjustments

No.	Adjustment Item	Initial Value	Range	Input source / Description
3	V BACK PORCTH	52	0 ~ 2047	
4	DISP LINE	1048	0 ~ 2047	
5	CLAMP	5	0 ~ 2047	
Group: 513 HDTV 1080i-50 Gakaku				
0	TOTAL DOTS	1448	0 ~ 2047	
1	DISP DOTS	1024	0 ~ 2047	
2	H BACK PORCTH	144	0 ~ 2047	
3	V BACK PORCTH	64	0 ~ 2047	
4	DISP LINE	1044	0 ~ 2047	
5	CLAMP	5	0 ~ 2047	
Group: 514 HDTV 1035i Gakaku				
0	TOTAL DOTS	1206	0 ~ 2047	
1	DISP DOTS	1024	0 ~ 2047	
2	H BACK PORCTH	145	0 ~ 2047	
3	V BACK PORCTH	90	0 ~ 2047	
4	DISP LINE	1006	0 ~ 2047	
5	CLAMP	5	0 ~ 2047	
Group: 515 HDTV 720p Gakaku				
0	TOTAL DOTS	1354	0 ~ 2047	
1	DISP DOTS	1024	0 ~ 2047	
2	H BACK PORCTH	260	0 ~ 2047	
3	V BACK PORCTH	36	0 ~ 2047	
4	DISP LINE	698	0 ~ 2047	
5	CLAMP	5	0 ~ 2047	
Group: 516 HDTV 575p Gakaku				
0	TOTAL DOTS	1348	0 ~ 2047	
1	DISP DOTS	1024	0 ~ 2047	
2	H BACK PORCTH	240	0 ~ 2047	
3	V BACK PORCTH	60	0 ~ 2047	
4	DISP LINE	524	0 ~ 2047	
5	CLAMP	0	0 ~ 2047	
Group: 517 HDTV 480p Gakaku				
0	TOTAL DOTS	1288	0 ~ 2047	
1	DISP DOTS	1024	0 ~ 2047	
2	H BACK PORCTH	212	0 ~ 2047	
3	V BACK PORCTH	46	0 ~ 2047	
4	DISP LINE	451	0 ~ 2047	
5	CLAMP	0	0 ~ 2047	

Test Points and Locations

● MAIN BOARD



■ Troubleshooting

No Power

The possible causes of No Power are listed below. Please check following and refer to power supply and protection circuits diagram in the figure opposite.

1. Stop the operation of power supply circuit due to detection of abnormality.

- Detected the abnormality on the secondary power supply lines.
 - Power failure detection diodes detect an abnormal voltage on the power supply. Check the shortage of secondary circuits, ICs, condensers, etc.
- Detected the operation stop of cooling fans.
 - Power failure detection diodes detect the fan operation stop. Check Fans FN901, FN902, FN903, FN904, FN905 and FN906
 - Check fan's power supply lines and detection diodes and transistors D69A, D69B, D69C and Q69A
- Detected the abnormal temperature rise inside the projector.
 - Temperature sensor ICs detect abnormal temperature. Check peripheral circuits and sensor ICs IC4881 and IC2881.
 - Thermal switch (TSW611) detects abnormal temperature. Check peripheral circuits and TSW611.
 - TSW611 open in normal
 - TSW611 shorts when the peripheral temperature is over 90°C.
 - Thermal switch (SW902) detects abnormal temperature. Check peripheral circuits and SW902.
 - SW902 short in normal
 - SW902 opens when peripheral temperature is over 100°C.
- Detected the abnormality on the lamp ballast unit.
 - The lamp ballast unit outputs error signal (LAMP_ERR) to pin 47 of IC801.
 - LAMP_ERR High in abnormal
- Detected the over load/over voltage on power supply circuit.
 - Feedback circuits detect over load or over voltages. Check PC641, PC642 and peripheral circuits.
- Operated the mechanical protect on the Interlock switch (SW904). Check lamp cover fixed correctly.
- Fuse (F601) open.

2. Abnormality occurs on drive signals for power or lamp circuit.

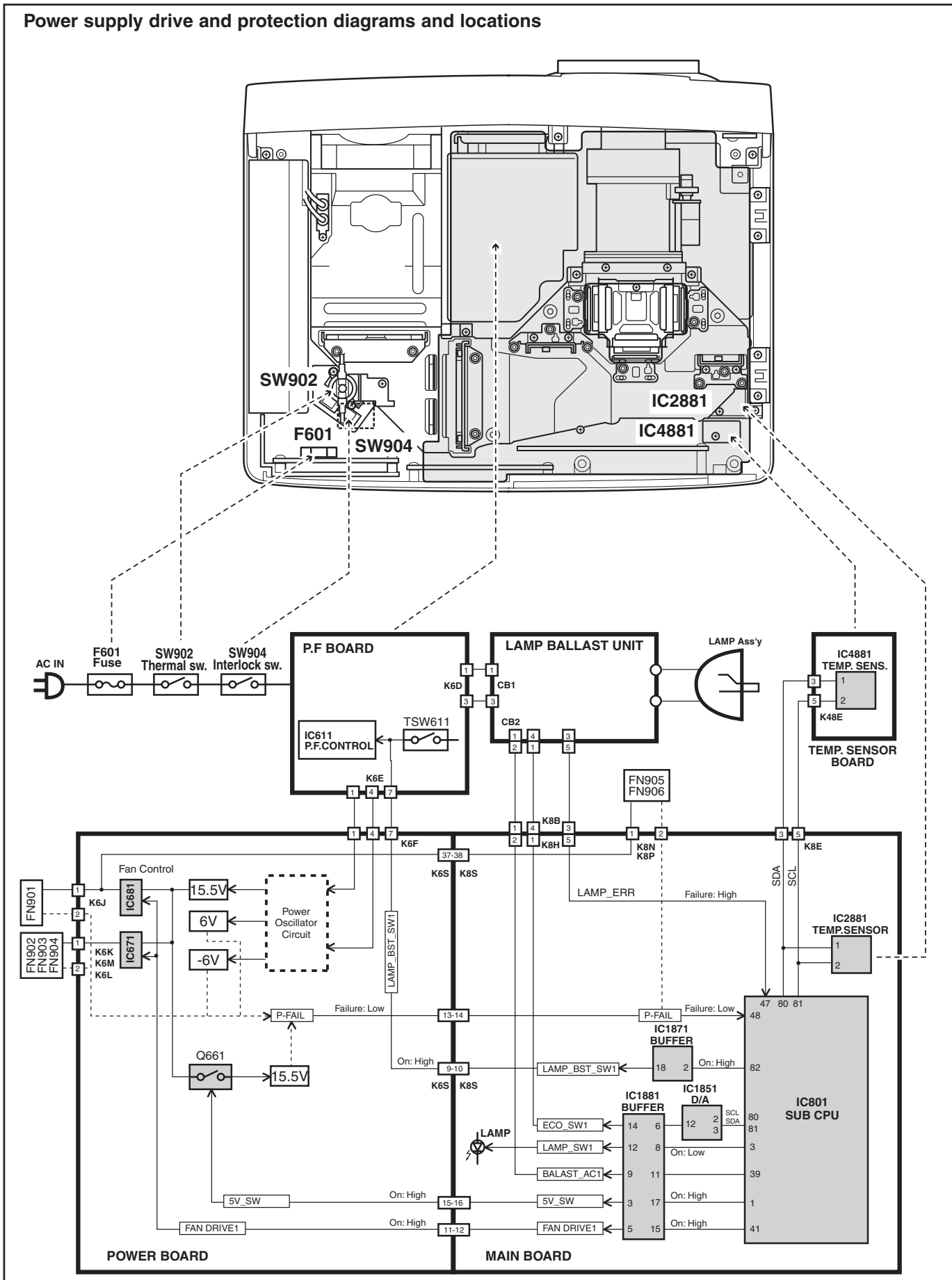
- Abnormality on power starter signals (POWER, 5V_SW).
 - POWER signal is output from pin 1 of IC801 and sent to pin 17 of IC1881, and output from pin 3 by the name of 5V_SW signal. 5V_SW signal drives 15.5V and 9VMCI power supply circuits on the power board.
 - POWER/5V_SW High in power on
 - Check POWER and 5V_SW signals, 9V regulator circuit Q65A, Q65B, Q65C, IC65A and peripheral circuit, 15.5V switch circuit Q661, Q662 and peripheral circuit on the Power Board.

- Abnormality on lamp ballast drive signal (BALLAST_AC).
 - BALLAST_AC signal is output from pin 39 of IC801 and sent to pin 11 of IC1881, and output from pin 9 by the name of BALLAST_AC1 signal. BALLAST_SW1 signal drives the lamp ballast unit.
 - Check BALLAST_AC and BALLAST_AC1 signals and lamp ballast unit.
- Abnormality on fan drive signal (FAN DRIVE).
 - FAN DRIVE signal is output from pin 41 of IC801 and sent to pin 15 of IC1881, and output from pin 5 by the name of FAN_DRIVE1 signal. FAN_DRIVE1 signal drives fan supply voltages (12V/12V1) on the power board.
 - FAN_DRIVE/
FAN_DRIVE1 High in power on
 - Check FAN_DRIVE/FAN_DRIVE1 signals, 12V regulator circuits IC681, Q681, Q682, Q66A, IC671, Q671, Q672 and peripheral circuits.
- Abnormality on power drive signal (LAMP_BST_SW).
 - LAMP_BST_SW signal is output from pin 82 of IC801 and sent to pin 2 of IC1871, and output from pin 18 by the name of LAMP_BST_SW1 signal. LAMP_BST_SW1 signal drives the power factor control IC on the P.F. board through the Power board.
 - LAMP_BST_SW/
LAMP_BST_SW1 High in power on
 - Check LAMP_BST_SW and LAMP_BST_SW1 signal, photo-coupler PC643, transistors Q651, Q641 and peripheral circuits.
- Error on lamp optional setting.
 - Check lamp optional setting input voltage at pin 88 of IC801 as follows;
 - Pin 88 High lamp type Osram
 - Pin 88 Low lamp type Philips

3. Abnormality occurs on the power circuit.

- Abnormality on power primary circuit
 - Check Line filters, L601, L602, D614, L611, IC631, D632, etc.
- Abnormality on power secondary circuit
 - Check D651, D652, D653, IC651, etc.

Power supply drive and protection diagrams and locations



No Picture

The possible causes of No Picture are listed below. Please check following and refer to video signal processing diagrams in the figure opposite.

1. No picture from Video source

Composite Video Input

Check composite video signal at pins 45 and 46 of K10U on the AV Board and K3U on the Main Board.

Check Y, C signals at pins 7 and 9 of IC2101.

Check Y, C signals at pins 5 and 7 of IC1101

S-Video Input

Check S-video signals at pins 39, 40 (Y), 41, 42 (C) of K10U and K3U.

Check Y, C signals at test points TP11SC and TP11SY.

Check Y, C signals at pins 43 and 44 of IC1101.

Component Input

Check component signals at pins 49, 50(Pb), 51, 52 (Pr) of K10U and K3U.

Check component signals (Y, Pr, Pb) at test points TP11CV, TP11PB and TP11PR.

All of video signals

Check component signals (Y, Cr, Cb) at pins 21, 22 and 23 of IC1101.

Check component signals (Y, Cr, Cb) at pins 67, 68 and 69 of IC4101.

Check component signals (Y, Pr, Pb) at pins 73, 74 and 75 of IC4101.

Check Sync signals (AV_HSYNC, AV_VSYNC) at pins 4 and 9 of IC1101.

Check Sync signals (AV_HSYNC, AV_VSYNC) at pins 65 and 66 of IC4101.

Check RGB signals at pin 35, 37 and 39 of IC4101.

Check RGB signals at pins 14, 4 and 15 of IC3101.

Check blanking signal at pin 9, 10, 11 of IC3101.

Check RGB signals at pins 1, 3 and 5 of IC5241.

Check Sync signals (AV_HSYNC, AV_VSYNC) at pins 2 and 12 of IC6261.

Check AV/PC switching signal at pin 22 of IC5241 and pins 10 and 11 of IC6261.

AV : Low, PC : High

2. No picture from Computer source [Analog]

Check RGB signals at pins 35-36, 37-38 and 39-40 of K10V on the DVI Board and K3V on the Main Board.

Check Sync signals (IN_H, IN_V) at pins 5-6 and 3-4) of K10W on the DVI Board and K3W on the Main Board.

Check RGB signals at pins 1, 3 and 5 of IC5211.

Check RGB signals at pins 12, 10 and 8 of IC5241.

Check Sync signals at pins 13 and 11 of IC6241.

Check Sync signals at pins 1 and 13 of IC6261.

Check AV/PC switching signal at pin 22 of IC5241 and pins 10 and 11 of IC6261.

AV : Low, PC : High

3. No picture from DVI source.

Check power supply voltages on the DVI board.

5VDVI on pins 39-40, 5VS on pins 35-36, 3.3VS on pins 31-32, 9VMCI on pins 35-8, 5VD on pins 21-22 of K10W and K3Ws.

Check Sync signal at pins 16 and 18 of IC8081.

Check ICs IC8001, IC7021, IC7031 and peripheral circuits.

4. No picture from both of Video and Computer sources.

Check RGB signals at test points TP52R, TP52G and TP52B.

Check RGB signals at test points TP201R, TP5201G and TP201B.

Check HSYNC signal at test point TP205.

Check Sync signals at test points at TP62H and TP62V.

5. No picture from all of sources

Check RGB S&H signals at test points TP25B1, TP25B2, TP25G1, TP25G2, TP25R1 and TP25R2.

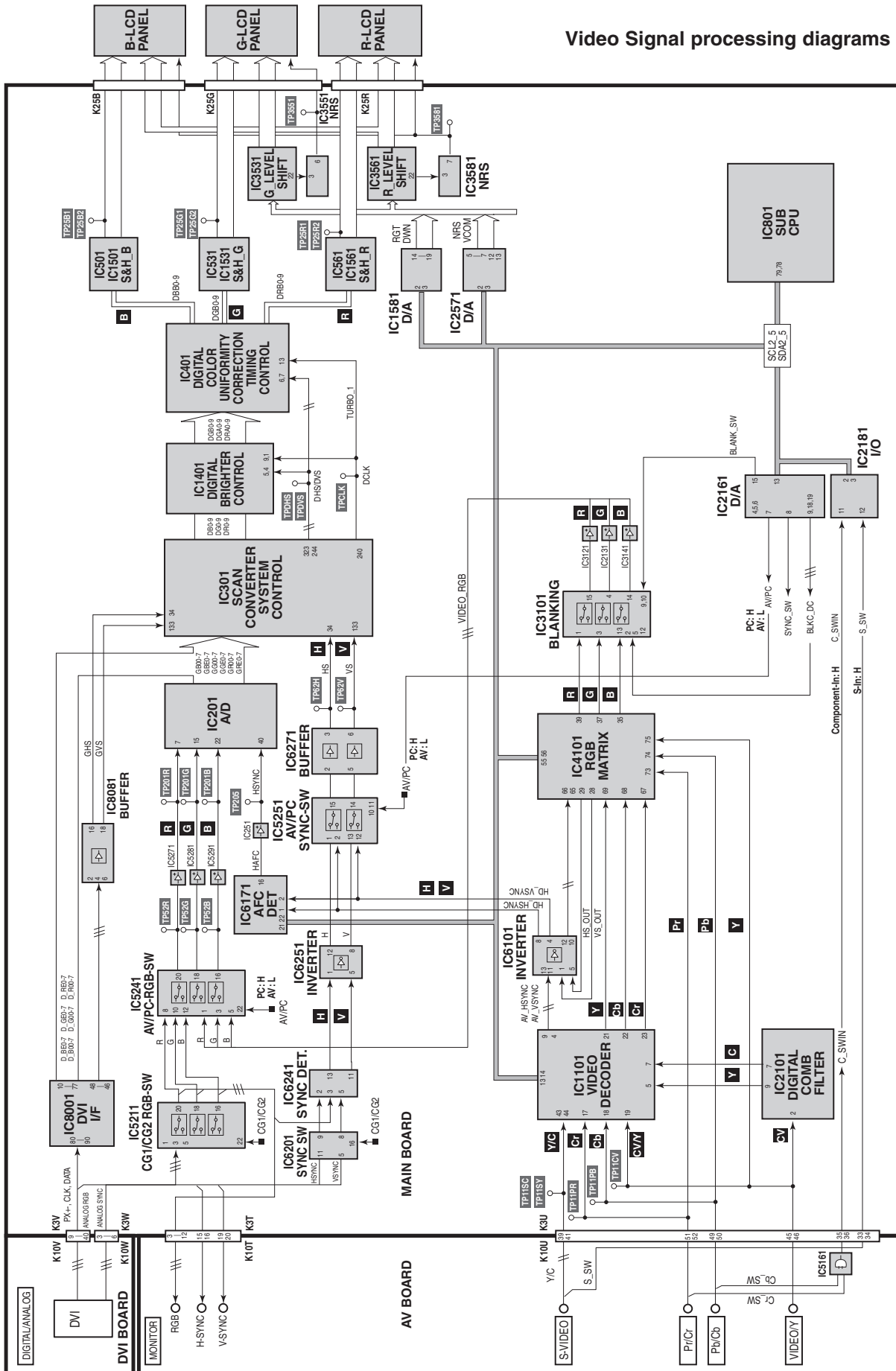
Check NRS signals at test points TP3551 and TP3581.

Check power supply circuit 15.5V and 15VL and peripheral circuit.

Check ICs IC501, IC531, IC561, IC1501, IC1531, IC1561, IC3531, IC3561, IC801, IC301, IC401 and peripheral circuits.

SIGNAL	K10W/K3W	SIGNAL	K10U/K3U
V-Sync	3-4	Video	45-46
H-Sync	5-6	S-C	41-42
SIGNAL	K10V/K3V	S-Y	39-40
B	35-36	PB	49-50
G	37-38	PR	51-52
R	39-40		

Video Signal processing diagrams



No Sound

1. No audio signals at AV input circuit.

Check audio signals at pins 14 and 15 of IC5011 on the AV Board. Check IC5011 and peripheral circuits.

2. Incorrect operation of VIDEO/COMPUTER mode switching.

Check AV/PC switching signal at pins 10 and 11 of IC5011. Check IC5011, IC801 and switching signal.

AV : Low, PC : High

3. No audio output signal at speaker.

Check audio signal at pins 1 and 3 of K8F on the Main Board.

Check MUTE signal at pin 1 of IC001.

Mute On : Low

Check MUTE signal at pin 7 of IC1831, pins 7 and 13 of IC1881, and peripheral circuit.

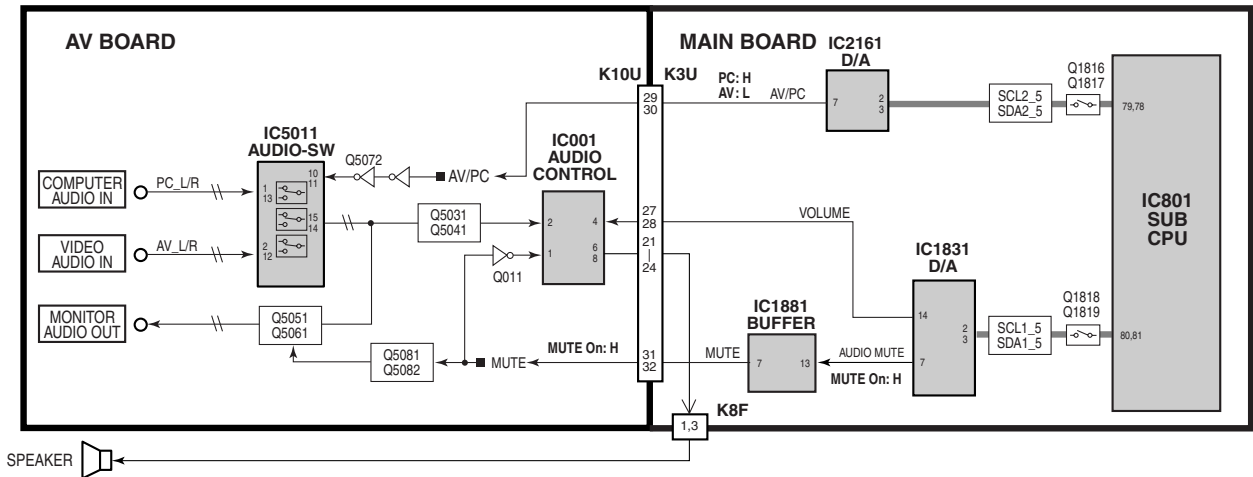
Mute On : High

Check sound volume signal at pin 4 of IC001, and pin 14 of IC1831. Check IC IC001, IC1831 and peripheral circuit.

Volume Min.: Low

4. No power supply at audio circuit.

Check 6V(6V AUDIO) power supply line.



Lens Motor Problems

1. No drive signals supplied at motors

Check drive signals at pins 1 to 4 of K6U on Power Board. Check ICs IC5501, IC5551 and peripheral circuits. Check motor drive power supply (9VMCI).

2. No drive signals supplied at motor drive ICs.

Check drive signals at pins 3-4 (ZOOM), 5-6 (FOCUS) of K6S. Check IC801.

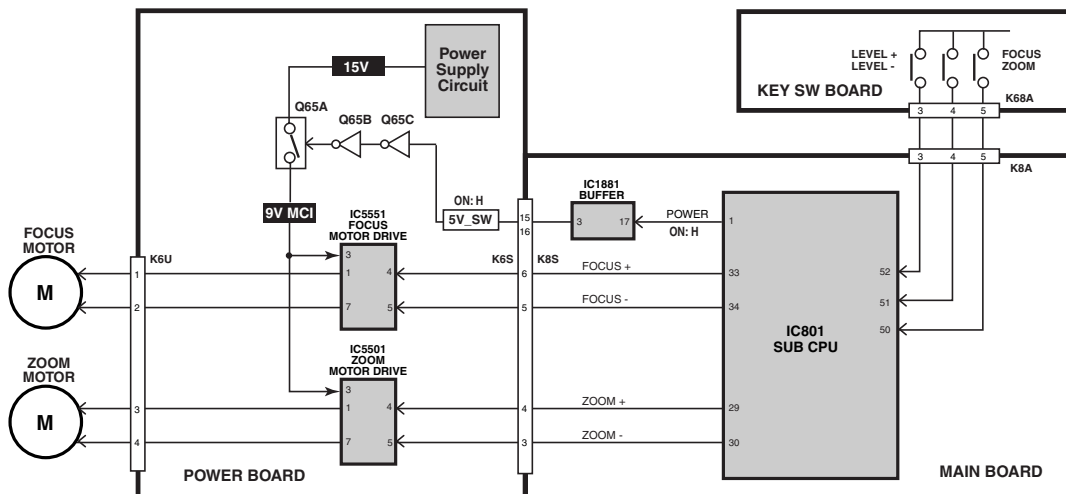
3. No drive signals output from CPU.

Check drive signals at pins 29,30, 33, 34 of IC801(SUB CPU). Check IC801.

4. No key switch signals input to CPU.

Check signals at pins 50 to 52 of IC801 when pressing the key buttons. Check key buttons.

Logic Table of IC5501/IC5551				
Input		Output		Operation
4	5	7	1	
H	L	L	H	Forward drive
L	H	H	L	Reverse drive
H	H	L	L	Braking
L	L	-	-	Stand by



■ Control Port Functions

● System Control & I/O Port Table (IC801)

Pin No.	Name	Function Name	Function	I/O	Action
1	PE5/D5	POWER_SW	Power_SW	O	H: On
2	PE6/D6	SYS_SW	Peripheral IC power supply SW	O	L: On
3	PE7/D7	LAMP_SW	Lamp LED	O	H: On
4	PD0/D8	DATA0	Data Bus 0	I/O	-
5	PD1/D9	DATA1	Data Bus 1	I/O	-
6	PD2/D10	DATA2	Data Bus 2	I/O	-
7	PD3/D11	DATA3	Data Bus 3	I/O	-
8	PD4/D12	DATA4	Data Bus 4	I/O	-
9	PD5/D13	DATA5	Data Bus 5	I/O	-
10	PD6/D14	DATA6	Data Bus 6	I/O	-
11	PD7/D15	DATA7	Data Bus 7	I/O	-
12	CVCC	CVCC	Power supply	-	-
13	PC0/A0	ADDRESS0	Address Bus 0	O	-
14	VSS	VSS	Vss	-	-
15	PC1/A1	ADDRESS1	Address Bus 1	O	-
16	PC2/A2	ADDRESS2	Address Bus 2	O	-
17	PC3/A3	ADDRESS3	Address Bus 3	O	-
18	PC4/A4	ADDRESS4	Address Bus 4	O	-
19	PC5/A5	ADDRESS5	Address Bus 5	O	-
20	PC6/A6	ADDRESS6	Address Bus 6	O	-
21	PC7/A7	ADDRESS7	Address Bus 7	O	-
22	PB0/A8/TIOCA3	ADDRESS8	Address Bus 8	O	-
23	PB1/A9/TIOCB3	ADDRESS9	Address Bus 9	O	-
24	PB2/A10/TIOCC3	ADDRESS10	Address Bus 10	O	-
25	PB3/A11/TIOCD3	ADDRESS11	Address Bus 11	O	-
26	PB4/A12/TIOCA4	ADDRESS12	Address Bus 12	O	-
27	PB5/A13/TIOCB4	ADDRESS13	Address Bus 13	O	-
28	PB6/A14/TIOCA5	ADDRESS14	Address Bus 14	O	-
29	PB7/A15/TIOCB5	ZOOM +	Zoom +	O	L: Zoom +
30	PA0/A16	ZOOM -	Zoom -	O	L: Zoom -
31	PA1/A17/TxD2	Tx	RS232C TxD	O	L: active
32	PA2/A18/RxD2	Rx	RS232C RxD	I	L: active
33	PA3/A19/SCK2	FOCUS +	Focus +	O	L: Focus +
34	P10/TIOCA0/A20	FOCUS -	Focus -	O	L: Focus -
35	P11/TIOCB0/A21	R/C	Remote control signal input	I	L: active
36	P12/TIOCC0/TCLKA/A22	USB_RESET	USB Reset signal output	O	L: active
37	P13/TIOCD0/TCLKB/A23	USB_BRST	USB_BRST	O	L: On"
38	P14/TIOCA1/IRQ0	SCLK	Serial clock output	O	H: active
39	P15/TIOCB1/TCLKC	BLAST_AC	Lamp Ballast control signal	O	PWM output
40	P16/TIOCA2/IRQ1	TXD_SW	TXD_SW	O	H: PW-Main CPU
41	P17/TIOCB2/TCLKD	FAN_ON/OFF	Fan Drive output	O	H: on
42	AVSS	Avss	A/D ground	-	-
43	P97/DA1	PIXEL_WRITE	PIXEL write	I	L: PW write
44	P96/DA0	TEMP_DET	TEMP DET	I	L: Temperature abnormal
45	P47/AN7	OPT2	Option input	I	L: XGA H: SVGA
46	P46/AN6	USB_VBUS	USB VBUS Input	I	H: USB exist
47	P45/AN5	LAMP_ERR	Lamp Error	I	H: Lamp not lit
48	P44/AN4	POWER_FAIL	Power Fail (Abnormal less than 2V)	I	Abnormal less that 1V
49	P43/AN3	OPT1	Destination option	I	
50	P42/AN2	KEY3	Key Input3 (A/D Input)	I	
51	P41/AN1	KEY2	Key Input2 (A/D Input)	I	
52	P40/AN0	KEY1	Key Input1 (A/D Input)	I	
53	Vref	Vref	Reference voltage for analog	-	-
54	AVCC	AVCC	A/D power supply	-	-
55	MD0	MD0	Operation mode control 0	I	Fixed L
56	MD1	MD1	Operation mode control 1	I	Fixed H
57	OSC2	OSC2	Sub-clock output (Not used)	O	open
58	OSC1	OSC1	Sub-clock output (Not used)	I	Connected to GND
59	RES	RESET	Reset input	I	Reset L to H
60	NMI	NMI	Non-maskable input (not used)	I	Fixed H
61	STBY	STBY	Stand-by	I	-
62	VCC	VCC	Vcc	-	-
63	XTAL	XTAL	Oscillator input	I	-
64	VSS	VSS	GND	-	-
65	EXTAL	EXTAL	Oscillator output	O	-
66	FWE	FEW	Write enable input for Flash ROM	I	H: Enable

Control Port Functions

Pin No.	Name	Function Name	Function	I/O	Action
67	MD2	MD2	Operation mode control 2	I	Fixed H
68	PF7/ϕ	ϕ	ϕ output	O	-
69	PF6/AS	AS	AS output	O	-
70	PF5/RD	RD	Read signal	O	Control for SRAM
71	PF4/HWR	HWR	Write signal (upper 8 bit)	O	Control for SRAM
72	PF3/LWR/ADTRG/IRQ3	IRO_CS	Color uniformity correction (E7050) Chip Select	O	L: active
73	PF2/WAIT	TURBO_CS	Turbo gate array Chip Select	O	H: active
74	PF1/BACK/BUZZ	SDA 4	IIC Bus 4 SDA	I/O	L: active
75	PF0/BREQ/IRQ2	FLASH_MODE	FWE control	O	
76	P30/TxD0	PW_TX	PW365 TxD	O	L: active
77	P31/RxD0	PW_RX	PW365 RxD	I	L: active
78	P32/SCK0/SDA1/IRQ4	SDA 2	IIC Bus 2 SDA	I/O	L: active
79	P33/TxD1/SCL1	SCL 2	IIC Bus 2 SCL	O	L: active
80	P34/RxD1/SDA0	SDA 1	IIC Bus 1 SDA (EEPROM,DAC-1)	I/O	L: active
81	P35/SCK1/SCL0/IRQ5	SCL 1	IIC Bus 1 SCL (EEPROM,DAC-1)	O	L: active
82	P36	BLAST_SW	Lamp ballast 400VON/OFF	O	H: on
83	P77/TXD3	MCI_TX	Viewer TxD	O	L: active
84	P76/RXD3	MCI_RX	Viewer RxD	I	L: active
85	P75/TMO3/SCK3	SCL 4	IIC Bus 4 SCL	O	L: active
86	P74/TMO2/MRES	M-RESET	Manual reset	I	L: reset
87	P73/TMO1/CS7	OPW_IN0	PW365 Data Input	I	
88	P72/TMO0/CS6	OPT_LAMPBRAND	Lamp Brand Option	I	H: Philips, L:Osram
89	P71/TMRI23/TMCI23/CS5	OPT_ECO	Eco Mode Option	I	H: Eco
90	P70/TMRI01/TMCI01/CS4	OPT_BRAND2	Destination2	I	
91	PG0/IRQ6	SDATA	Serial data output	O	L: active
92	PG1/CS3/IRQ7	USB_INTR	USB interrupt signal input	I	L active
93	PG2/CS2	CS 2	SRAM Chip Select	O	L: active
94	PG3/CS1	CS 1	USB Chip Select	O	L: active
95	PG4/CS0	W_LAN_IN	Wireless unit On/Off	I	H: Wireless On
96	PE0/D0	SDA 3	IIC Bus 3 SDA	I/O	L: active
97	PE1/D1	SCL 3	IIC Bus 3 SCL	O	L: active
98	PE2/D2	PW_OUT0	PW365 Data output 0	O	
99	PE3/D3	PW_OUT1	PW365 Data output 1	O	
100	PE4/D4	PW_RESET	PW365 Reset output	O	Reset L -> H -> L

● IIC Bus I/O Expander (IC1851) Port Functions

Pin No.	Name	Function	Action	I/O
1	S	Reset	Open	-
2	SCL	IIC SCL	Active "L"	-
3	SDA	IIC SDA	Active "L"	-
4	D0	CARD_IN	L: CARD H: No CARD	IN
5	D1	VIEWER_ON	L: VIEWER Unit exist	IN
6	D2	SCDT1	DVI Sync. detection H: DVI	IN
7	D3	TURBO_LED	H: on L: off	OUT
8	VSS	GND	-	-
9	D4	WARNING_LED	H: on L: off	OUT
10	D5	LAMPREP_LED	H: on L: off	OUT
11	D6	READY_LED	H: on L: off	OUT
12	D7	Not used	Fixed "L"	OUT
13	VDD	5 V	Vcc	-
14	CS2	Chip Select 2	Fixed "L"	-
15	CS1	Chip Select 1	Fixed "L"	-
16	CS0	Chip Select 0	Fixed "H"	-

● IIC Bus I/O Expander (IC2181) Port Functions

Pin No.	Name	Function	Action	I/O
1	S	Reset	Open	-
2	SCL	IIC SCL	Active "L"	-
3	SDA	IIC SDA	Active "L"	-
4	D0	MOD 2	Composite NTSC4.43, PAL60: H else: L	OUT
5	D1	MOD 1	Fixed "L"	OUT
6	D2	PNR	NTSC, NTSC4.43: L else: H	OUT
7	D3	NTPL 2	PALM, PALN: H else: L	OUT
8	VSS	GND	-	-
9	D4	NTPL 1	PAL, PALN: H else: L IN	-
10	D5	4.43 TRAP	Composite SECAM, NTSC4.43, PAL60: L, else: H	OUT
11	D6	C -SWIN	Component signal detection (L: Component)	IN
12	D7	S _ SW	S signal detection (L: S-Input)	IN
13	VDD	5 V	Vcc(5V)	-
14	CS2	Chip Select 2	Fixed "L"	-
15	CS1	Chip Select 1	Fixed "L"	-
16	CS0	Chip Select 0	Fixed "L"	-

● IIC Bus DA Converter (IC1831) Port Functions

Pin No.	Name	Function	Action
1	R	Reset	Fixed "H"
2	SCL	IIC SCL	Active "L"
3	SDA	IIC SDA	Active "L"
4	AO7	FAN_CONT_1	0xFFh:Min 0x00h:Max
5	AO8	FAN_CONT_2	0xFFh:Min 0x00h:Max
6	AO9	EDIDEN	L: H8 side H: PC side
7	AO10	AUDIOMUTE	L: Mute Off H: Mute On
8	AO11	PWRDNO	AD Power down (L:DVI/MCI H:PC)
9	AO12	DCOM_OFF	Digital Comb Filter Usage L: at composite SECAM, NTSC4.43, PAL60
10	VrefL		D/A converter lower ref. voltage Connect to GND
11	VrefU1		D/A converter upper ref. voltage (CH7~CH12) Vcc
12	GND	GND	GND
13	VrefU2		D/A converter upper ref. voltage (CH1~CH6) Vcc
14	AO1	VOL_CNT	Control sound output volume, L: minimum
15	AO2	CG1_CG2	L: CG1, H: CG2
16	AO3	MOUSE	Air mouse On/Off H: On L: Off
17	AO4	MOUSE_RESET	Air mouse CPU reset Reset start: H->L->H
18	AO5	TURBO +	Turbo motor control (+) L: On
19	AO6	TURBO -	Turbo motor control (-) L: On
20	Vcc	Digital power supply	
21	Vdd	Analog power supply	
22	CS2	Chip Select 2	Fixed "H"
23	CS1	Chip Select 1	Fixed "H"
24	CS0	Chip Select 0	Fixed "L"

● IIC Bus DA Converter (IC2161) Port Functions

Pin No.	Name	Function	Action
1	R	Reset	Fixed "H"
2	SCL	IIC SCL	Active "L"
3	SDA	IIC SDA	Active "L"
4	AO7	RCLP	R Signal clamp reference voltage
5	AO8	GCLP	G Signal clamp reference voltage
6	AO9	BCLP	B Signal clamp reference voltage
7	AO10	AV/PC	AV/PC switch (L: AV H: PC)
8	AO11	SYNC_SW	Fixed "H"
9	AO12	G_BLK_DC	Video G signal pedestal voltage
10	VrefL		D/A converter lower ref. voltage Connected to GND
11	VrefU1		D/A converter upper ref. voltage (CH7~CH12) Vcc(5V)
12	GND	GND	GND
13	VrefU2		D/A converter upper ref. voltage(CH1~CH6) Vcc(5V)
14	AO1	SCP_SW	Sandcastle pulse SW Video/S-Video/480i/575i: L else: H
15	AO2	BLANK_SW	H Blank width SW 1080i/1035i/720p/480p/575p: H else: L
16	AO3	MACRO	H: PC, AV(1080i50Hz) L: AV
17	AO4	CBAL_SW	Color uniformity correction SW
18	AO5	B_BLK_DC	Video B signal pedestal voltage
19	AO6	R_BLK_DC	Video R signal pedestal voltage
20	Vcc	Digital power supply	Vcc(5V)
21	Vdd	Analog power supply	Vcc(5V)
22	CS2	Chip Select 2	Fixed "L"
23	CS1	Chip Select 1	Fixed "H"
24	CS0	Chip Select 0	Fixed "H"

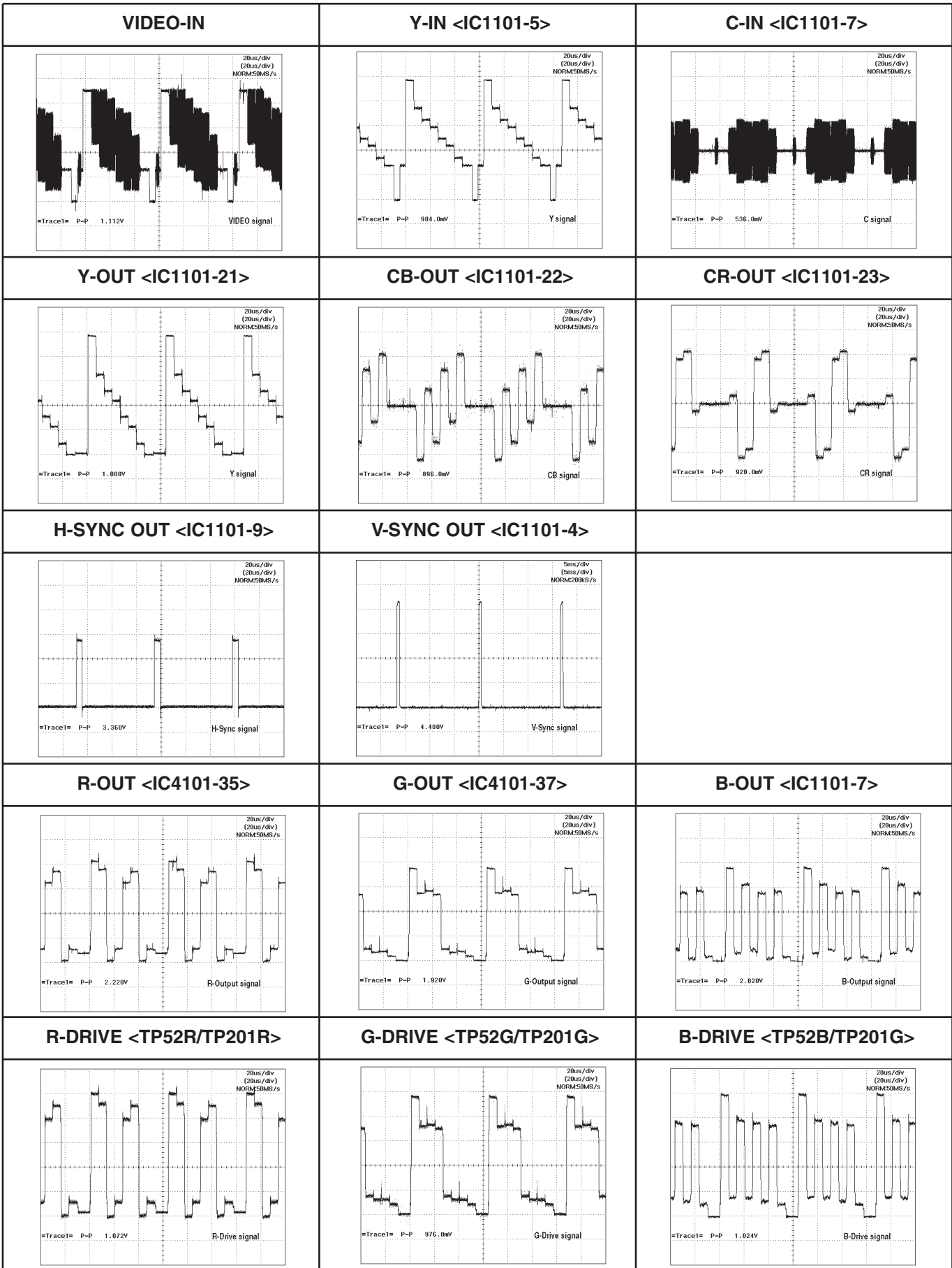
● IIC Bus DA Converter (IC1581) Port Functions

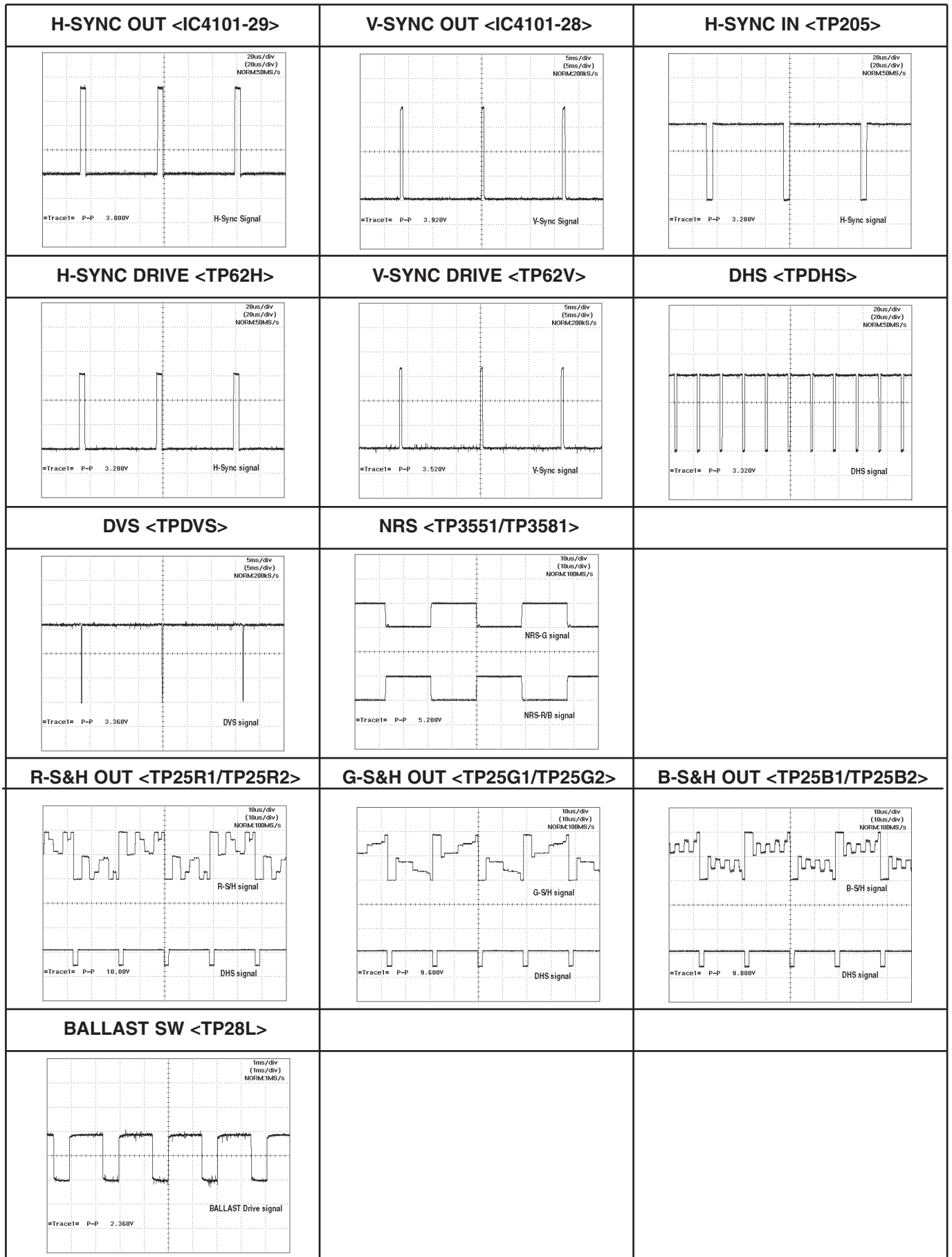
Pin No.	Name	Function	Action
1	R	Reset	Fixed "H"
2	SCL	IIC SCL	Active "L"
3	SDA	IIC SDA	Active "L"
4	AO7	REF_B	D/A reference voltage
5	AO8	REF_G	D/A reference voltage
6	AO9	REF_R	D/A reference voltage
7	AO10	Not used	0V fixed
8	AO11	Not used	0V fixed
9	AO12	Not used	0V fixed
10	VrefL		D/A converter lower ref. voltage Connected to GND
11	VrefU1		D/A converter upper ref. voltage (CH7~CH12) Vcc(5V)
12	GND	GND	GND
13	VrefU2		D/A converter upper ref. voltage (CH1~CH6) Vcc(5V)
14	AO1	B-CENT	Video center voltage
15	AO2	G-CENT	Video center voltage
16	AO3	R-CENT	Video center voltage
17	AO4	DWN	Panel control signal
18	AO5	RGT	Panel control signal
19	AO6	XRGT	Panel control signal
20	Vcc	Digital power supply	Vcc(5V)
21	Vdd	Analog power supply	Vcc(5V)
22	CS2	Chip Select 2	Fixed "L"
23	CS1	Chip Select 1	Fixed "L"
24	CS0	Chip Select 0	Fixed "L"

● IIC Bus DA Converter (IC2571) Port Functions

Pin No.	Name	Function	Action
1	R	Reset	Fixed "H"
2	SCL	IIC SCL	Active "L"
3	SDA	IIC SDA	Active "L"
4	AO5	Not used	
5	AO6	VCOMR	
6	AO7	VCOMG	
7	AO8	VCOMB	
8	VrefL		D/A converter lower ref. voltage Connected to GND
9	VrefU1		D/A converter upper ref. voltage (CH5~CH8) Connected to Vcc
10	GND	GND	GND
11	VrefU2		D/A converter upper ref. voltage (CH1~CH4) Connected to Vcc
12	AO1	NRSB	
13	AO2	NRSA	
14	AO3	Not used	
15	AO4	Not used	
16	Vcc	5V	Vcc(5V)
17	Vdd	5V	Vdd(5V)
18	CS2	Chip Select 2	Fixed "L"
19	CS1	Chip Select 1	Fixed "L"
20	CS0	Chip Select 0	Fixed "H"

Waveform





■ Cleaning

After long periods of use, dust and other particles will accumulate on the LCD panel, prism, mirror, polarized glass, lens, etc., causing the picture to darken or color to blur. If this occurs, clean the inside of optical unit.

Remove dust and other particles using air spray. If dirt cannot be removed by air spray, disassemble and clean the optical unit.

Cleaning with air spray

1. Remove the cabinet top following to “Mechanical Disassemblies”.
2. Clean up the LCD panel and polarizing plate by using the air spray from the cabinet top opening.

Caution:

Use a commercial (inert gas) air spray designed for cleaning camera and computer equipment. Use a resin-based nozzle only. Be very careful not to damage optical parts with the nozzle tip. Never use any kind of cleanser on the unit. Also, never use abrasive materials on the unit as this may cause irreparable damage.

Disassembly Cleaning

Disassembly cleaning method should only be performed when the unit is considerably dirty and cannot be sufficiently cleaned by air spraying alone.

Be sure to readjust the optical system after performing disassembly cleaning.

1. Remove the cabinet top and main units following to “Mechanical Disassemblies”.
2. Remove the optical base top following to “Optical Unit Disassemblies”. If the LCD panel needs cleaning, remove the LCD panel unit following to “LCD panel replacement”.
3. Clean the optical parts with a soft cloth. Clean extremely dirty areas using a cloth moistened with alcohol.

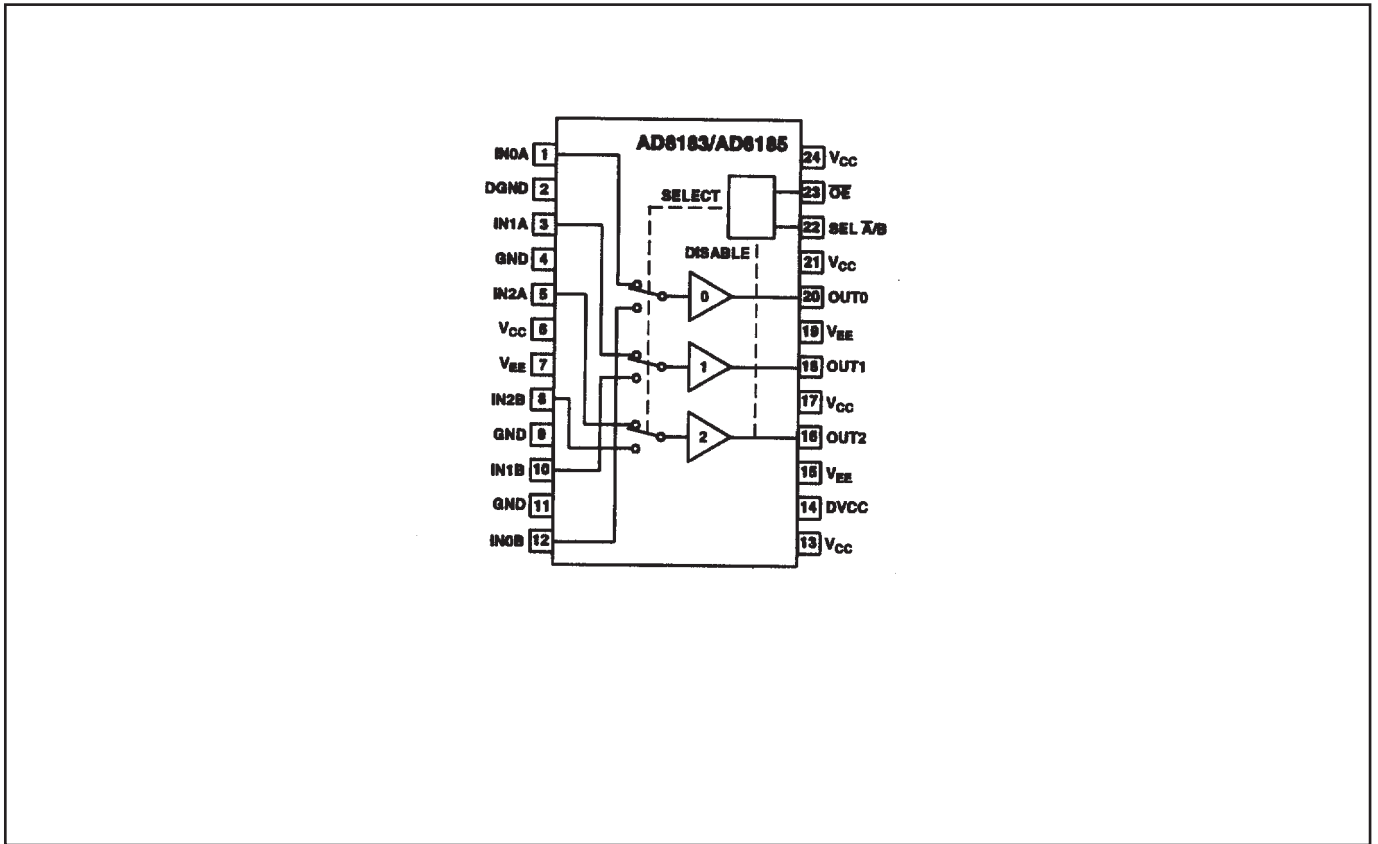
Caution:

The surface of the optical components consists of multiple dielectric layers with varying degrees of refraction. Never use organic solvents (thinner, etc.) or any kind of cleanser on these components.

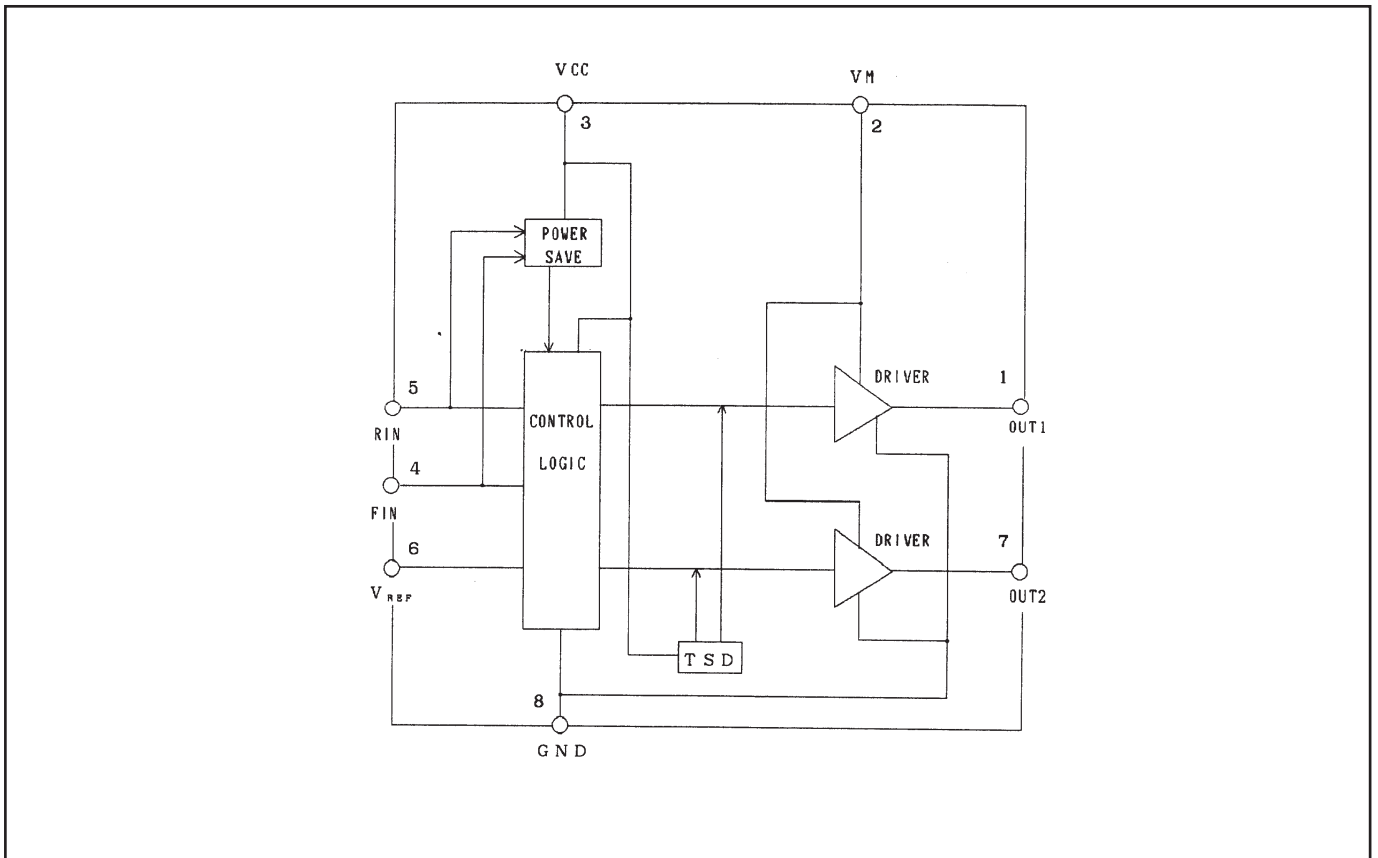
Since the LCD panel is equipped with an electronic circuit, never use any liquids (water, etc.) to clean the unit. Use of liquid may cause the unit to malfunction.

■ IC Block Diagrams

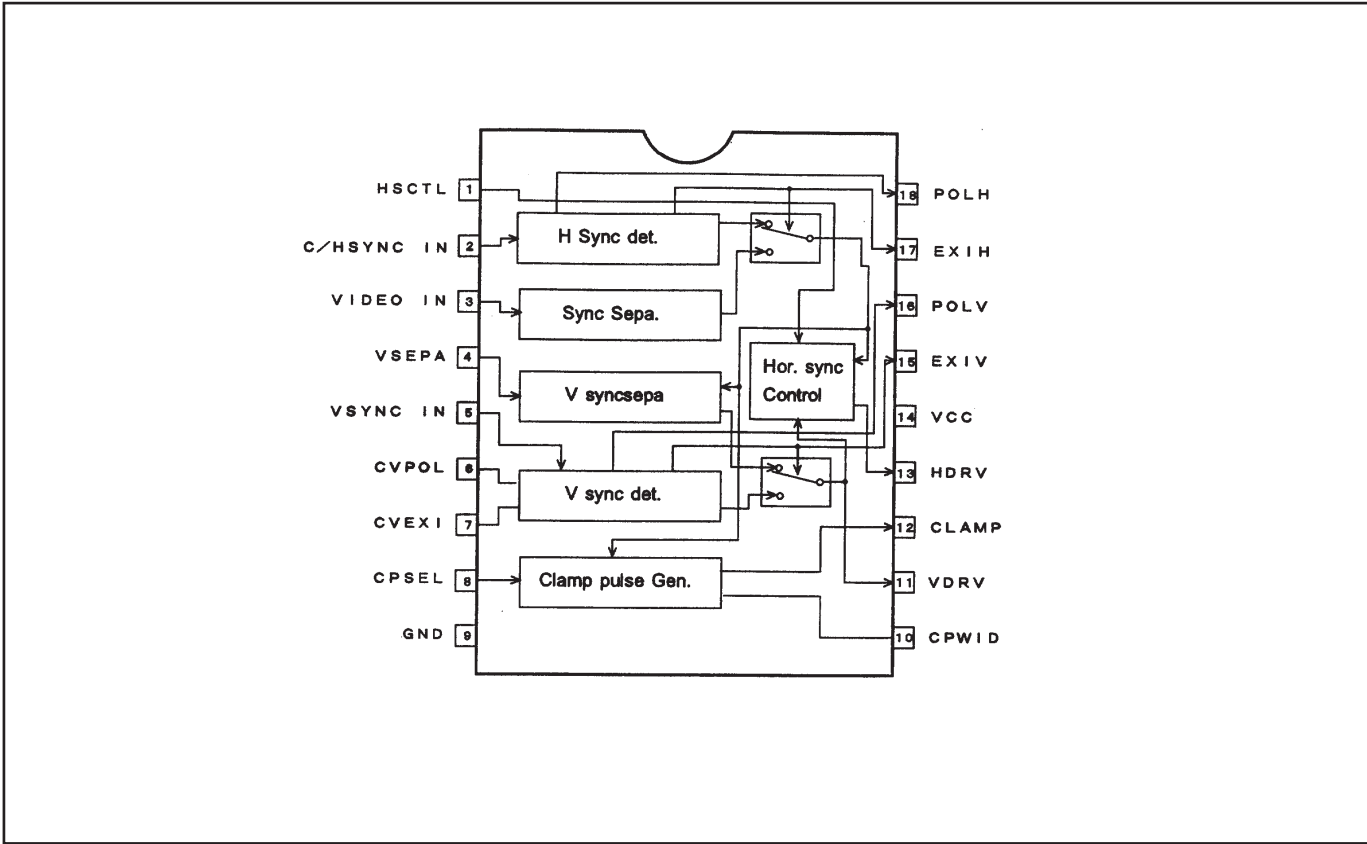
● AD8183ARU, AD8185ARU <Selector, IC5241, IC5211>



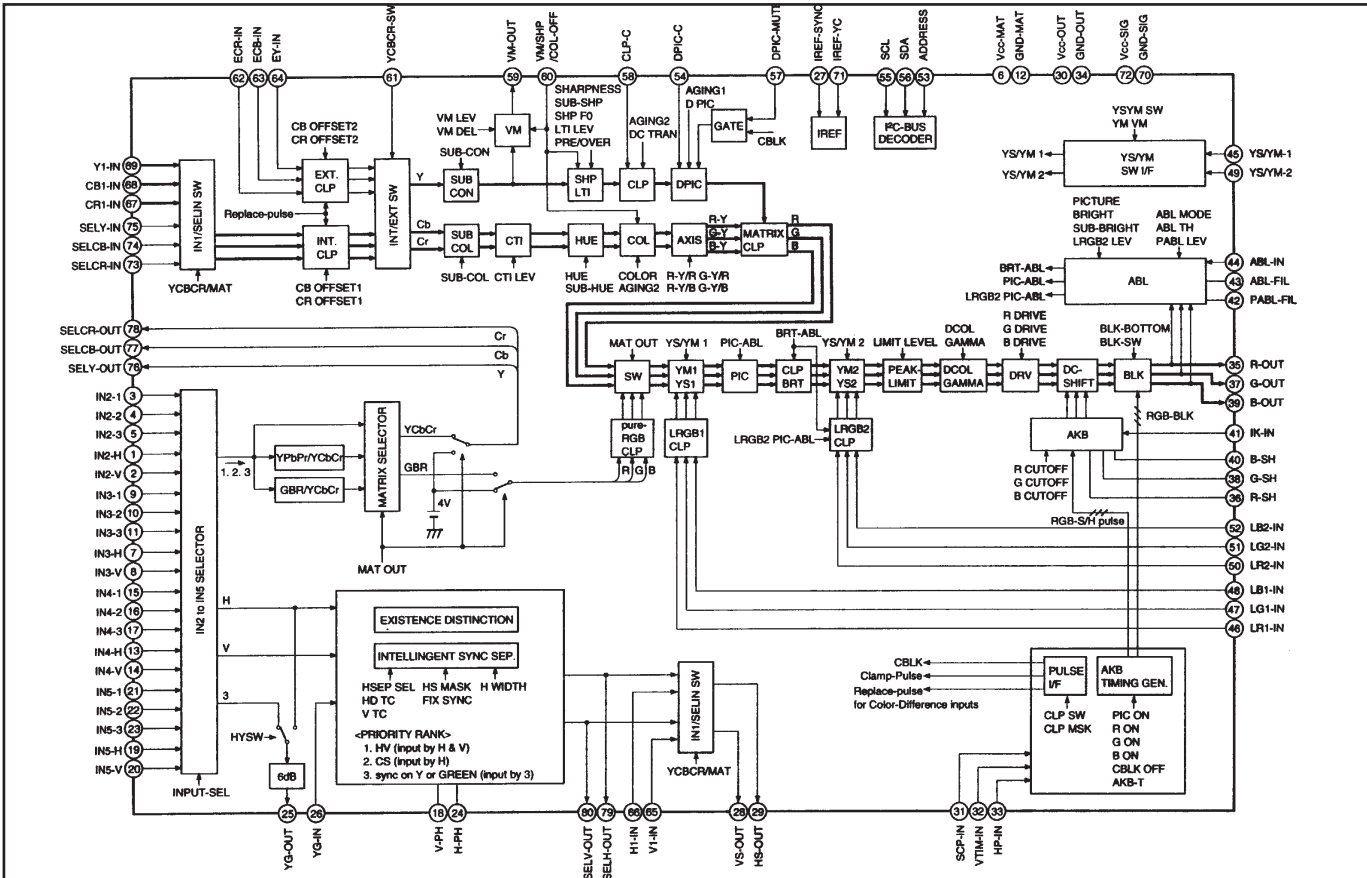
● BA6287F <Motor Drive IC5501, IC5551>



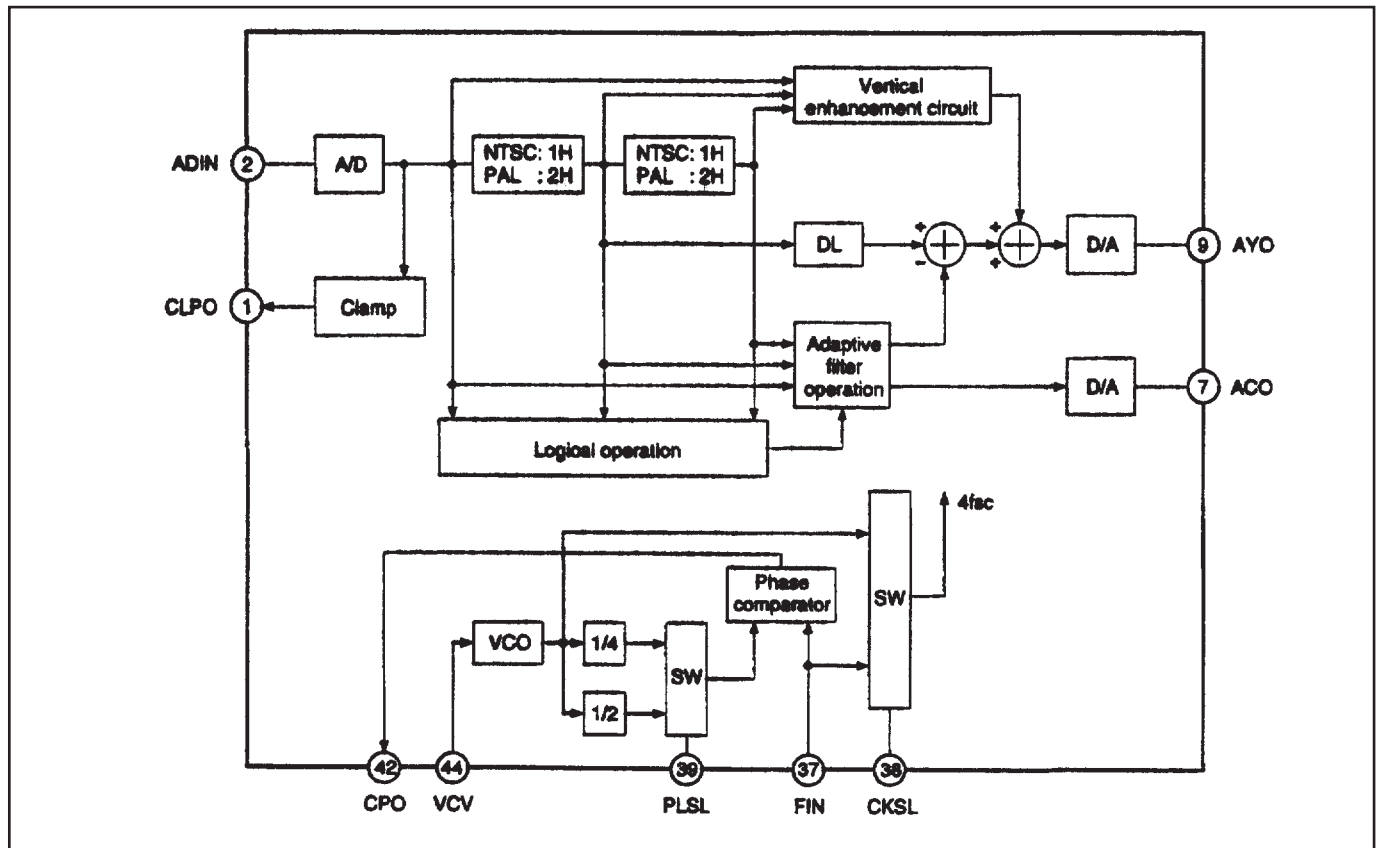
● BA7078AF <Selector, IC6241>



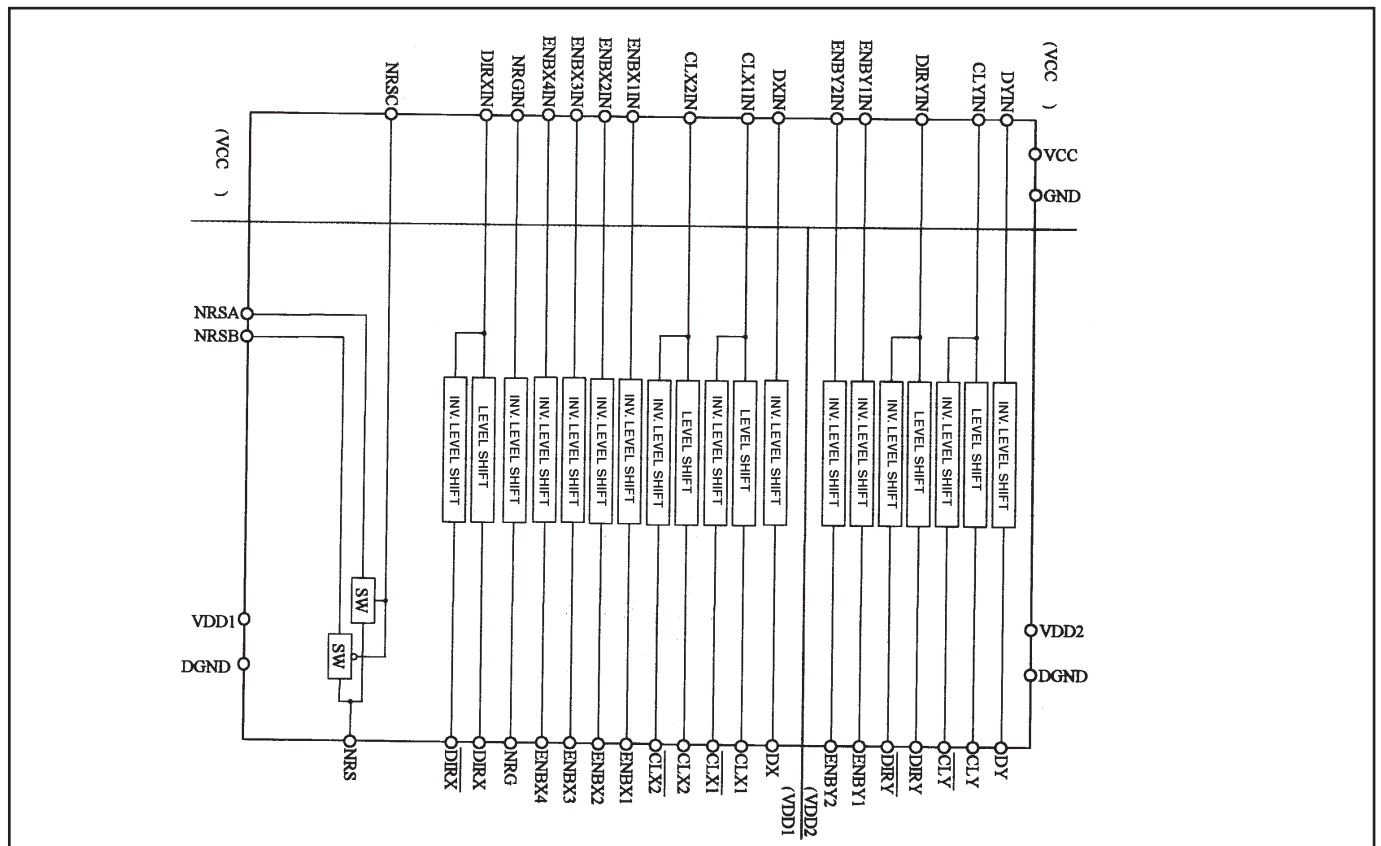
● CXA2101AQ <RGB Matrix, IC4101>



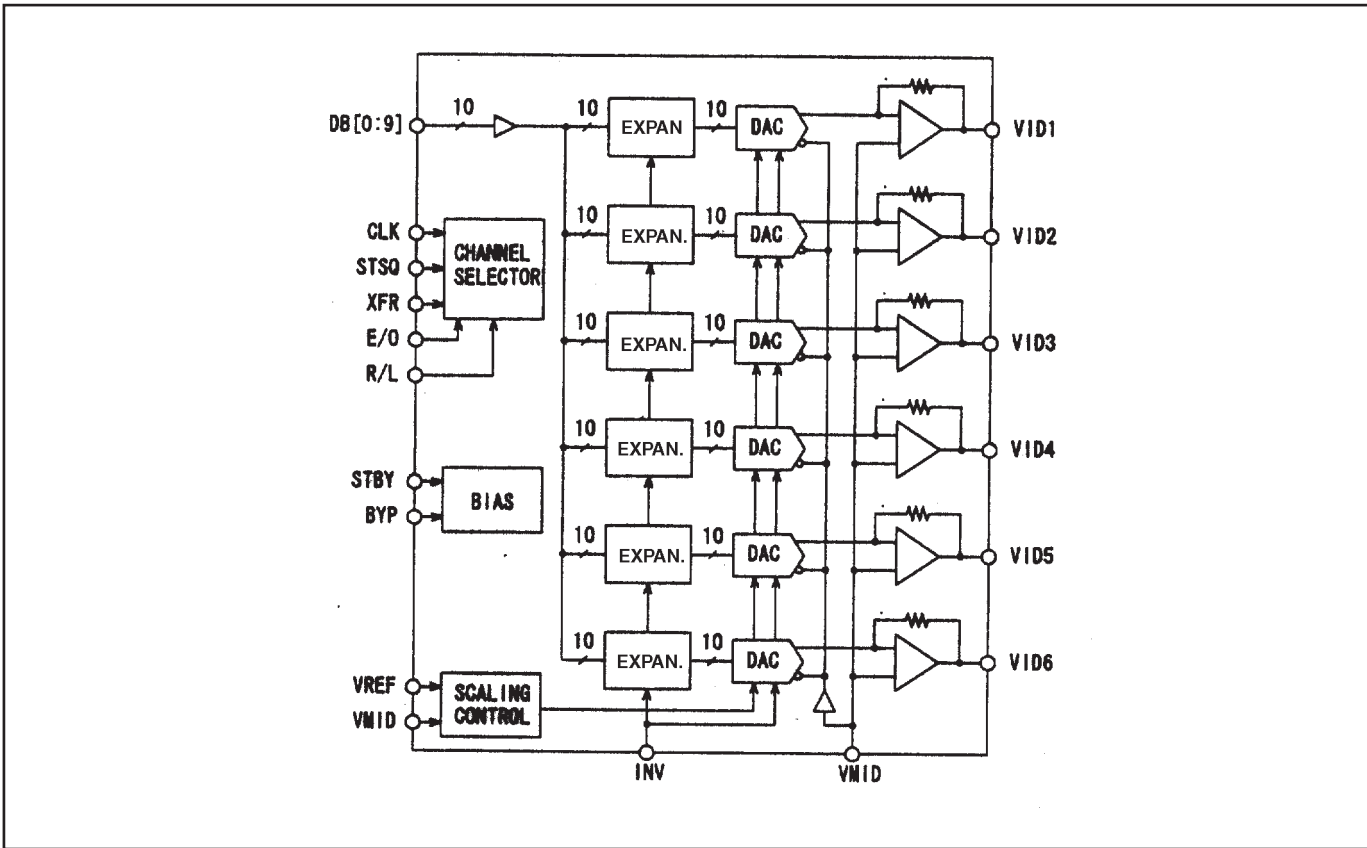
● CXD2064Q <Digital Comb Filter, IC2101>



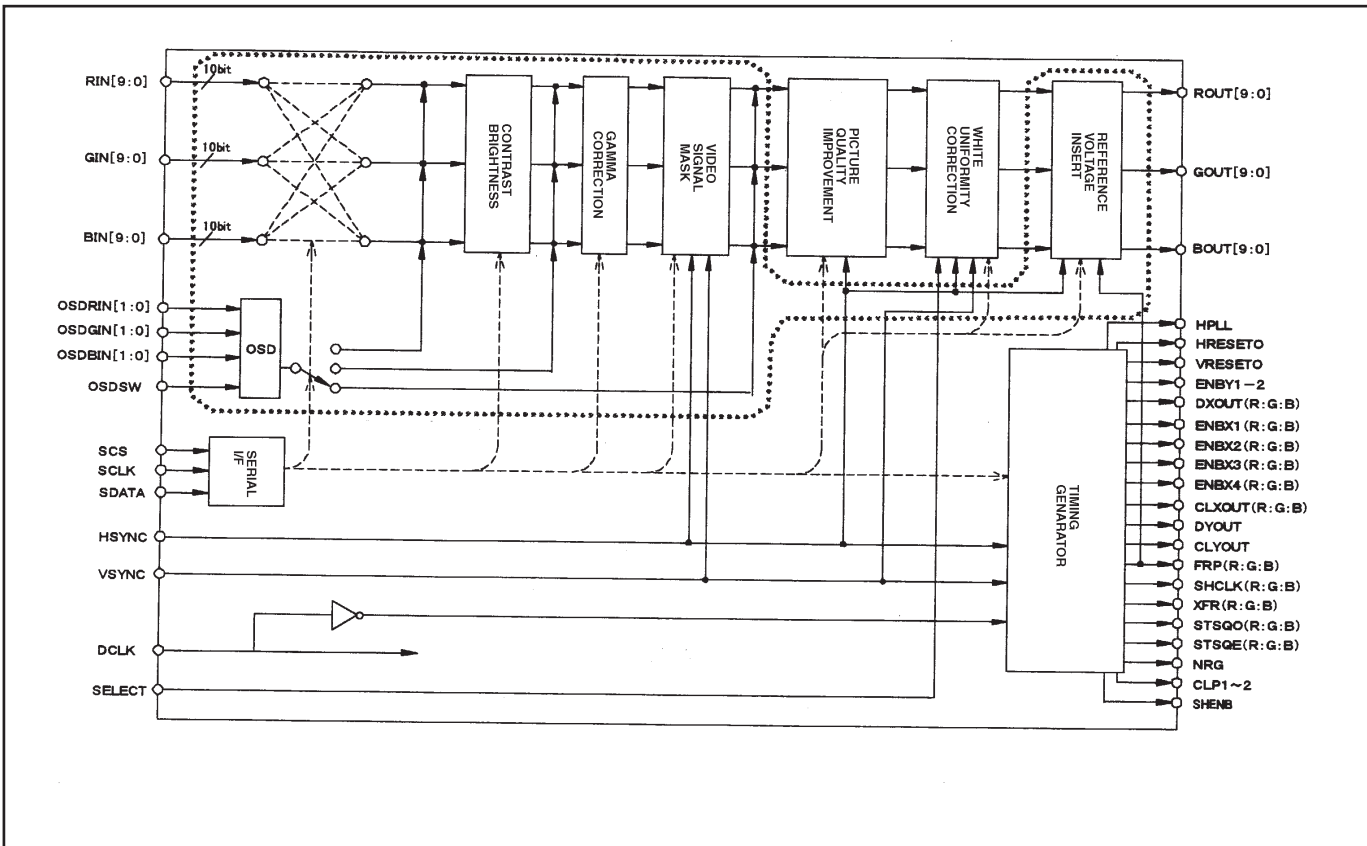
● L3E01031 <Level Shift, IC3531, IC3561>



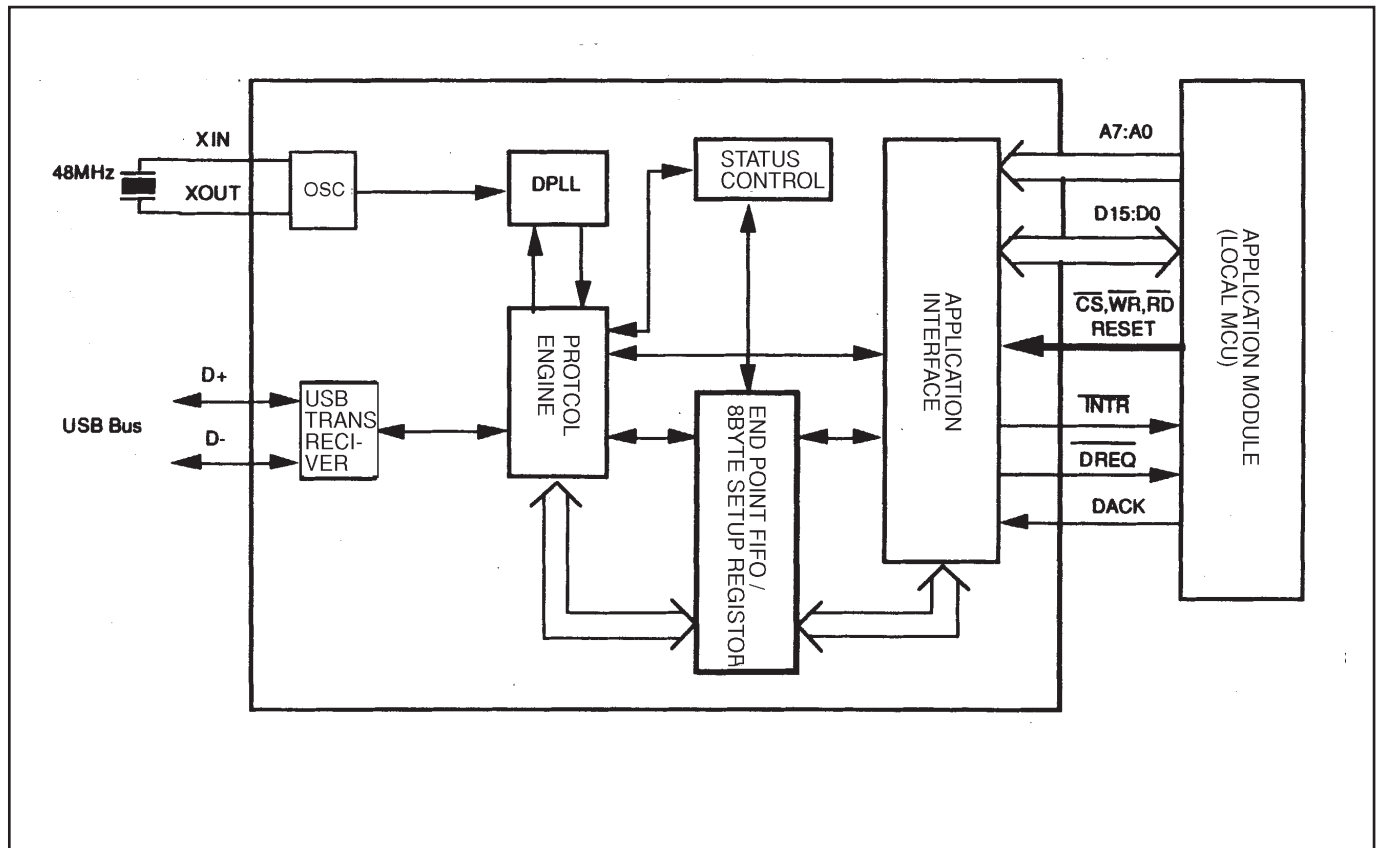
● L3E06070 <D/A-Sample & Hold, IC501, IC531, IC561, IC1501, IC1531, IC1561>



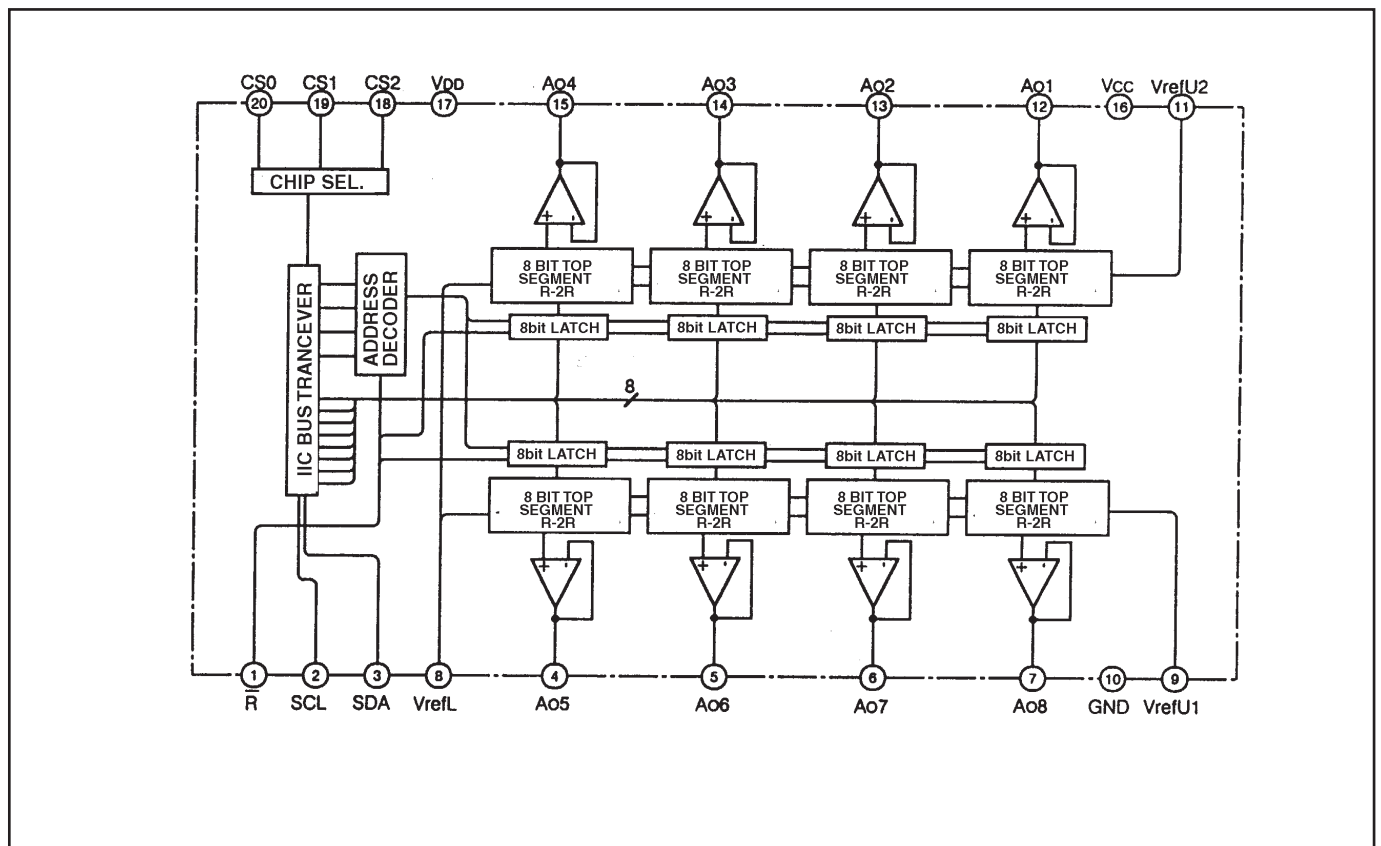
● L3E07050 <Color, Gamma Correction & Timing Controller , IC401>



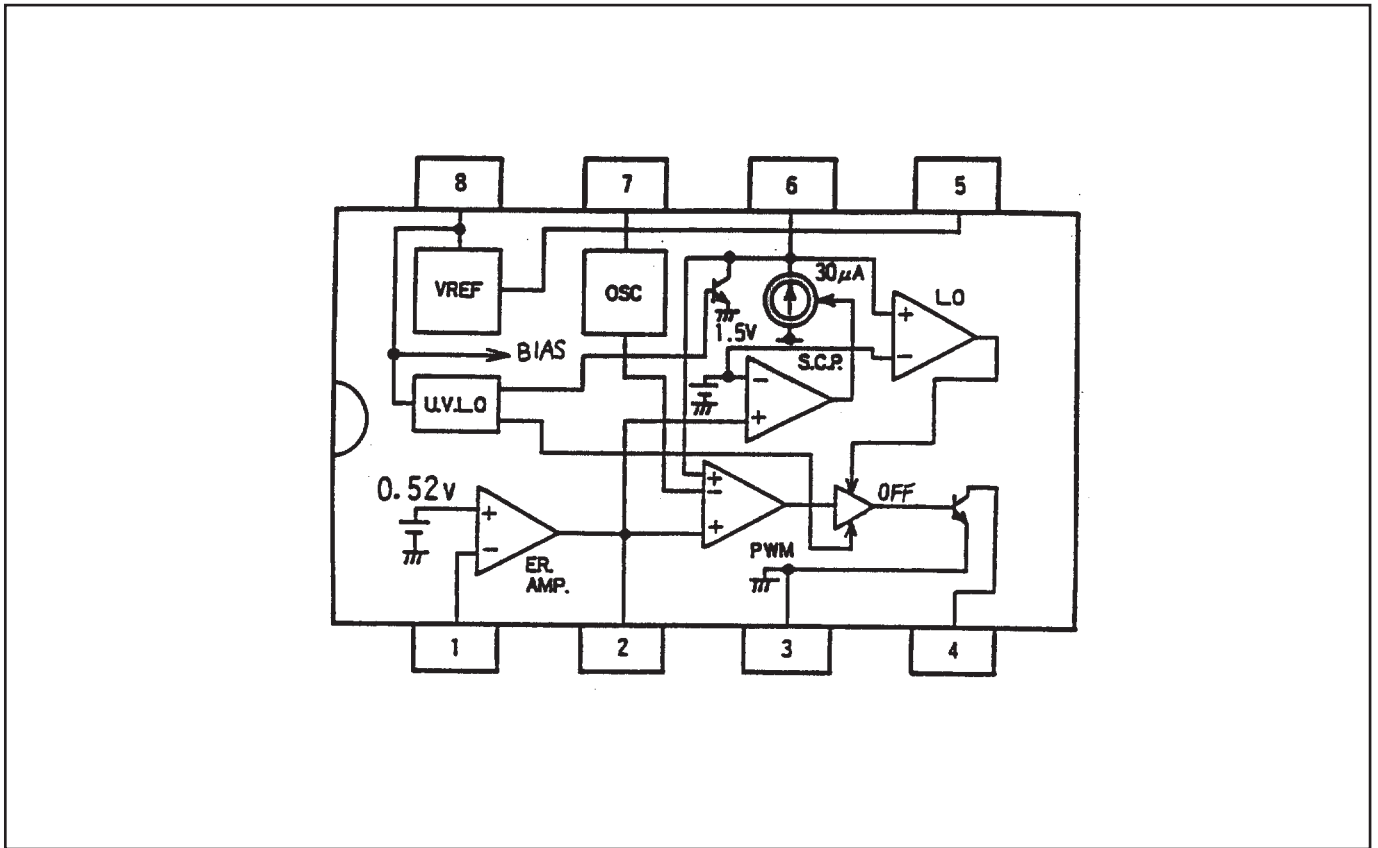
● ML60851 <USB I/F, IC9801>



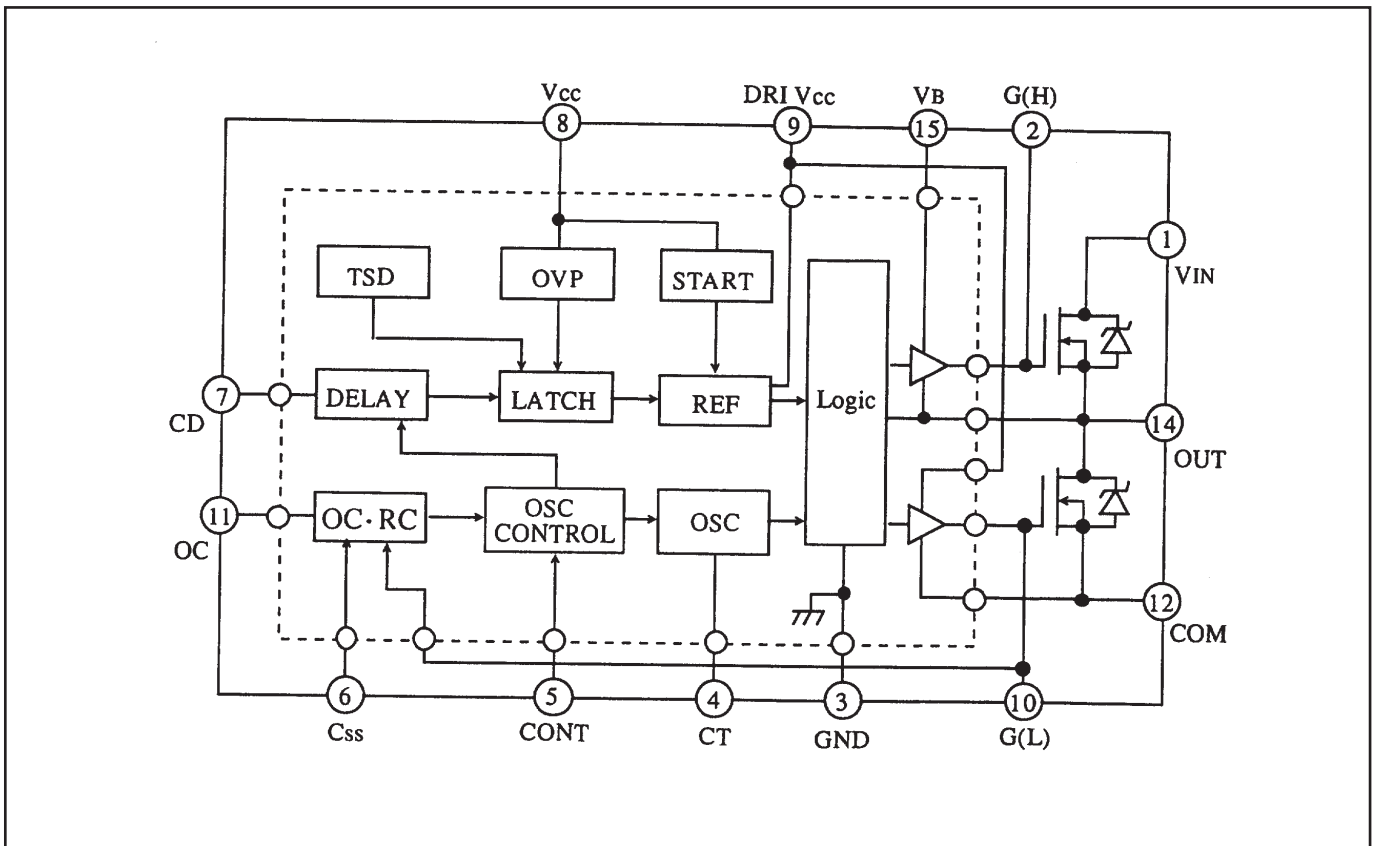
● M62393 <D/A, IC2571>



● FA7612CA <PWC Controller, IC65A, IC671, IC681>



● STR-Z2156 <Switching Controller, IC631>

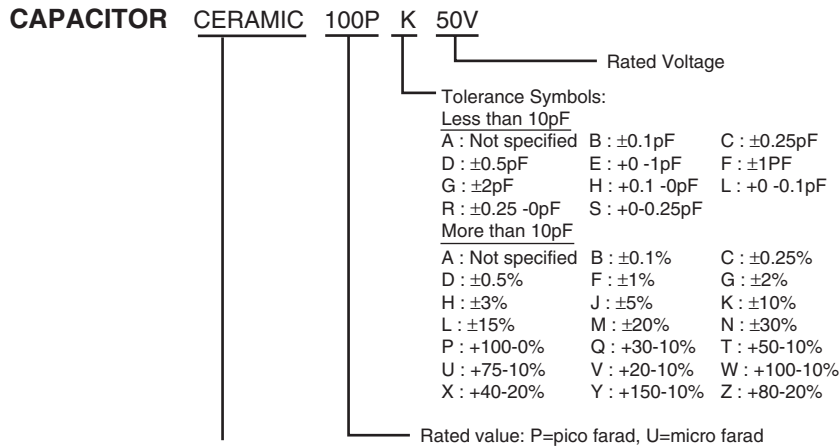




Product safety should be considered when a component replacement is made in any area of a projector. Components indicated by a Δ mark in this parts list and the circuit diagram show components whose value have special significance to product safety. It is particularly recommended that only parts specified on the following parts list be used for components replacement pointed out by the mark.

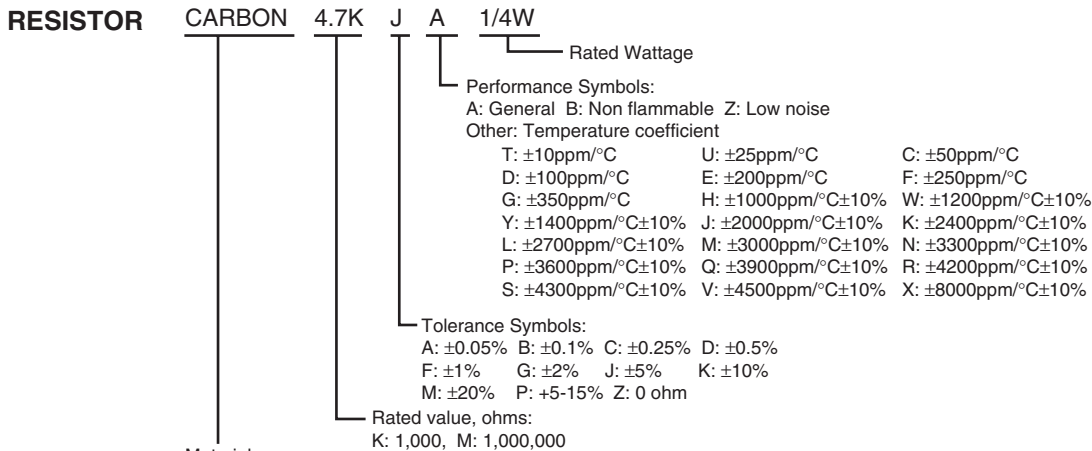
● Read Description in the parts list

Read description in the Capacitor and Resistor as follows:



Material:

- CERAMIC..... Ceramic
- MT-PAPER..... Metallized Paper
- POLYESTER..... Polyester
- MT-POLYEST.....Metallized Polyester
- POLYPRO..... Polypropylene
- MT-POLYPRO....Metallized Polypropylene
- COMPO FILM..... Composite film
- MT-COMPO.....Metallized Composite
- STYRENE.....Styrene
- TA-SOLID..... Tantalum Oxide Solid Electrolytic
- AL-SOLID..... Aluminium Solid Electrolytic
- ELECT..... Aluminium Foil Electrolytic
- NP-ELECT..... Non-polarised Electrolytic
- OS-SOLID..... Aluminium Solid with Organic Semiconductive Electrolytic
- POS-SOLID..... Polymerized Organic Semiconductive
- DL-ELECT..... Double Layered Electrolytic
- PPS-FILM.....Polyphenylene Sulfide Film
- MT-PPS-FILM....Metalized Polyphenylene Sulfide Film
- MT-PEN-FILM....Metalized Polyethylenenaphthalate Film
- CAPACITOR.....Other



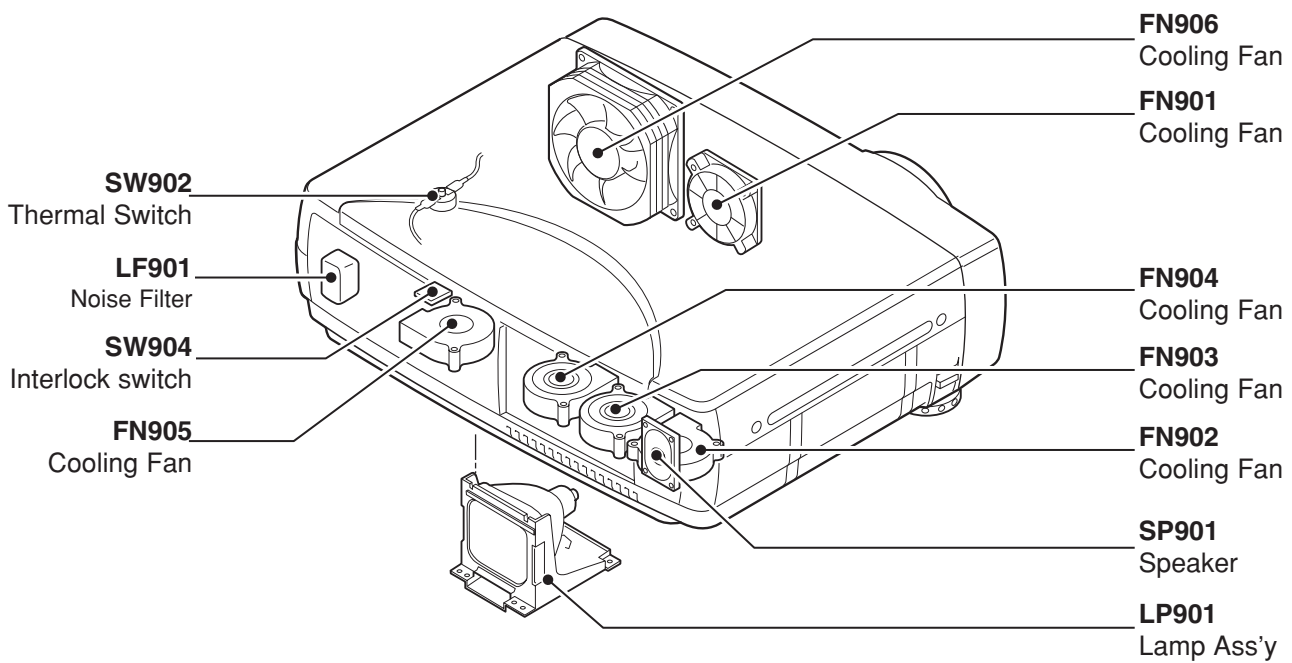
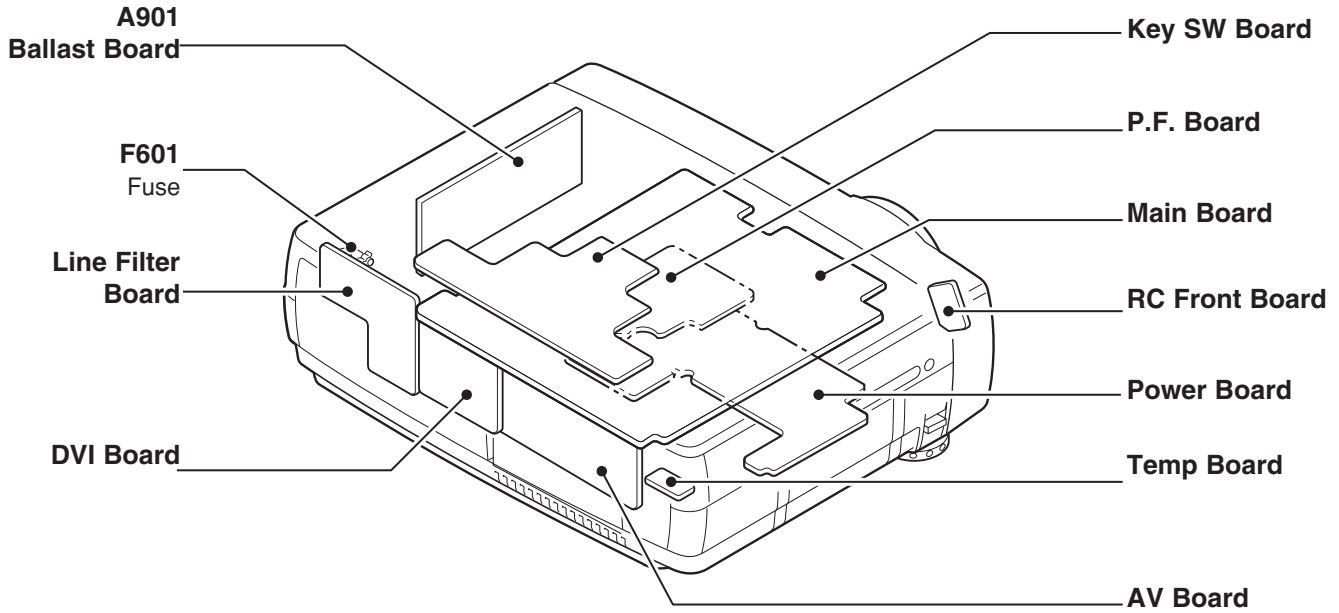
Material:

- CARBON..... Carbon
- MT-FILM..... Metal Film
- OXIDE-MT..... Oxide Metal Film
- SOLID..... Composition
- MT-GLAZE..... Metal Glaze
- WIRE WOUND... Wire Wound
- CERAMIC RES.. Ceramic
- FUSIBLE RES....Fusible
- RESISTOROther

Electrical Parts List

Note: Parts order must contain Chassis No., Part No., and Descriptions.

● OUT OF CIRCUIT BOARD



Electrical Parts List

Key No.	Part No.	Description	Key No.	Part No.	Description
ASSEMBLED BOARDS (ME3-XU4500, PLC-XU45)					
△ 610 292 5609	ASSY,PWB,KEY SW MS6A		△ FN905	645 058 8747	MOTOR, FAN DC 2.28W
△ 610 299 7330	ASSY,PWB,AV MK8A		△ FN906	645 052 0754	MOTOR, FAN DC 3.0W
△ 610 299 7347	ASSY,PWB,DVI MK8A		SP901	645 030 6150	SPEAKER, 8
△ 610 301 0939	ASSY,PWB,POWER MK8A *		△ SW902	645 026 5457	SWITCH, THERMAL
△ 610 301 0946	ASSY,PWB,P.F. MK8A *			645 048 3158	SWITCH, THERMAL
△ 610 301 0953	ASSY,PWB,LINE FILTER MK8A		△ SW904	645 024 8986	SWITCH, PUSH 2P-2TX2
△ 610 301 0960	ASSY,PWB,R/C MK8A		WK8A-68A	645 050 2545	CORD, ID CONNECTOR
△ 610 304 8925	ASSY,PWB,MAIN ME3A *		WK8E-48E	645 048 2410	CORD, ID CONNECTOR
△ 610 304 8932	ASSY,PWB,TEMP ME3A		WK8G-28D	645 053 2566	CORD, ID CONNECTOR
OUT OF CIRCUIT BOARDS (ME3-XU4500, PLC-XU45)			Note: This parts list is mentioned for models PLC-XU45 and PLC-XU46. The deferential parts are indicated with mark (*) after the parts description.		
△ LF901	645 056 9630	UNIT, NOISE FILTER	KEY SW BOARD		
△ LP900	610 304 5214	COMPL, OPTICAL LAMP-ME3A *	610 292 5609 ASSY,PWB,KEY SW MS6A		
L901	645 044 6207	CORE, FERRITE	CAPACITOR		
L902	645 044 6207	CORE, FERRITE	C6801	403 164 0204	CERAMIC 0.1U Z 25V
L903	645 003 3834	CORE, FERRITE	C6802	403 164 0204	CERAMIC 0.1U Z 25V
△ A901	645 057 7703	UNIT, BALLAST *	C6803	403 164 0204	CERAMIC 0.1U Z 25V
△ FN901	645 047 6211	MOTOR, FAN DC 1.5W	RESISTOR		
△ FN902	645 058 8723	MOTOR, FAN DC 2.28W	R6801	401 105 4106	MT-GLAZE 3.3K JA 1/16W
△ FN903	645 058 8730	MOTOR, FAN DC 2.28W	R6802	401 105 7909	MT-GLAZE 0.000 ZA 1/16W
△ FN904	645 058 8730	MOTOR, FAN DC 2.28W	R6804	401 105 7909	MT-GLAZE 0.000 ZA 1/16W
△ FN905	645 058 8747	MOTOR, FAN DC 2.28W	R6806	401 105 1600	MT-GLAZE 15K JA 1/16W
△ FN906	645 052 0754	MOTOR, FAN DC 3.0W	R6807	401 105 6605	MT-GLAZE 6.8K JA 1/16W
SP901	645 030 6150	SPEAKER, 8	R6808	401 105 4601	MT-GLAZE 3.9K JA 1/16W
△ SW902	645 026 5457	SWITCH, THERMAL	R6809	401 105 4106	MT-GLAZE 3.3K JA 1/16W
	645 048 3158	SWITCH, THERMAL	R6811	401 105 7909	MT-GLAZE 0.000 ZA 1/16W
△ SW904	645 024 8986	SWITCH, PUSH 2P-2TX2	R6812	401 105 7909	MT-GLAZE 0.000 ZA 1/16W
WK8A-68A	645 050 2545	CORD, ID CONNECTOR	R6816	401 105 1600	MT-GLAZE 15K JA 1/16W
WK8E-48E	645 048 2410	CORD, ID CONNECTOR	R6817	401 105 6605	MT-GLAZE 6.8K JA 1/16W
WK8G-28D	645 053 2566	CORD, ID CONNECTOR	R6818	401 105 4601	MT-GLAZE 3.9K JA 1/16W
ASSEMBLED BOARDS (MF3-XU4600, PLC-XU46)			R6819	401 105 4106	MT-GLAZE 3.3K JA 1/16W
△ 610 292 5609	ASSY,PWB,KEY SW MS6A		R6821	401 105 7909	MT-GLAZE 0.000 ZA 1/16W
△ 610 299 7330	ASSY,PWB,AV MK8A		R6822	401 105 7909	MT-GLAZE 0.000 ZA 1/16W
△ 610 299 7347	ASSY,PWB,DVI MK8A		R6831	401 105 7909	MT-GLAZE 0.000 ZA 1/16W
△ 610 305 8641	ASSY,PWB,POWER MF3A *		R6832	401 105 7909	MT-GLAZE 0.000 ZA 1/16W
△ 610 305 8658	ASSY,PWB,P.F. MF3A *		R6833	401 105 7909	MT-GLAZE 0.000 ZA 1/16W
△ 610 301 0953	ASSY,PWB,LINE FILTER MK8A		R6834	401 105 7909	MT-GLAZE 0.000 ZA 1/16W
△ 610 301 0960	ASSY,PWB,R/C MK8A		DIODE		
△ 610 305 8696	ASSY,PWB,MAIN MF3A *		D6801	407 179 0501	ZENER DIODE UDZ6.2B-TE-17
△ 610 304 8932	ASSY,PWB,TEMP ME3A		D6802	407 179 0501	ZENER DIODE UDZ6.2B-TE-17
OUT OF CIRCUIT BOARDS (MF3-XU4600, PLC-XU46)			D6803	407 179 0501	ZENER DIODE UDZ6.2B-TE-17
△ LF901	645 056 9630	UNIT, NOISE FILTER	D6804	407 179 0501	ZENER DIODE UDZ6.2B-TE-17
△ LP900	610 305 8801	COMPL, OPTICAL LAMP-MF3A *	D6831	407 209 7401	LED SML-210YT-K-T86
L901	645 044 6207	CORE, FERRITE		407 209 7500	LED SML-210YT T86 L
L902	645 044 6207	CORE, FERRITE	D6832	407 203 7803	LED SML-210LT T86 M
L903	645 003 3834	CORE, FERRITE	D6833	407 203 7902	LED SML-210MT T86 M
△ A901	645 058 3520	UNIT, BALLAST *	D6834	407 203 7803	LED SML-210LT T86 M
A901A	610 305 9075	CABLE, BALLAST *	MISCELLANEOUS		
△ FN901	645 047 6211	MOTOR, FAN DC 1.5W	SW6801	645 026 2791	SWITCH, PUSH 1P-1TX1
△ FN902	645 058 8723	MOTOR, FAN DC 2.28W	SW6802	645 026 2791	SWITCH, PUSH 1P-1TX1
△ FN903	645 058 8730	MOTOR, FAN DC 2.28W	SW6803	645 026 2791	SWITCH, PUSH 1P-1TX1
△ FN904	645 058 8730	MOTOR, FAN DC 2.28W	SW6804	645 026 2791	SWITCH, PUSH 1P-1TX1
			SW6805	645 026 2791	SWITCH, PUSH 1P-1TX1
			SW6806	645 026 2791	SWITCH, PUSH 1P-1TX1
			SW6807	645 026 2791	SWITCH, PUSH 1P-1TX1
			SW6808	645 026 2791	SWITCH, PUSH 1P-1TX1
			SW6809	645 026 2791	SWITCH, PUSH 1P-1TX1
			SW6810	645 026 2791	SWITCH, PUSH 1P-1TX1

Electrical Parts List

Key No.	Part No.	Description	Key No.	Part No.	Description
C012	403 266 8108	NP-ELECT 1U M 50V	R2001	401 105 7909	MT-GLAZE 0.000 ZA 1/16W
C013	403 162 6208	ELECT 1U M 50V	R2002	401 113 4402	MT-GLAZE 75 JA 1/16W
C1041	403 157 3601	CERAMIC 100P J 50V	R2003	401 113 4402	MT-GLAZE 75 JA 1/16W
C1042	403 157 3601	CERAMIC 100P J 50V	R2004	401 113 4402	MT-GLAZE 75 JA 1/16W
C1061	403 164 0204	CERAMIC 0.1U Z 25V	R2005	401 113 4402	MT-GLAZE 75 JA 1/16W
C2023	403 164 0204	CERAMIC 0.1U Z 25V	R2006	401 105 7909	MT-GLAZE 0.000 ZA 1/16W
C2811	403 304 1801	ELECT 100U M 6.3V	R2007	401 113 4402	MT-GLAZE 75 JA 1/16W
	403 373 7704	ELECT 100U M 6.3V	R2008	401 113 4402	MT-GLAZE 75 JA 1/16W
C2812	403 283 6309	CERAMIC 1U Z 10V	R2009	401 113 4402	MT-GLAZE 75 JA 1/16W
C2813	403 157 6602	CERAMIC 470P K 50V	R2010	401 113 4402	MT-GLAZE 75 JA 1/16W
C3011	403 304 2105	ELECT 47U M 6.3V	R2011	401 105 7909	MT-GLAZE 0.000 ZA 1/16W
C3012	403 164 0204	CERAMIC 0.1U Z 25V	R2012	401 113 4402	MT-GLAZE 75 JA 1/16W
C3013	403 164 0204	CERAMIC 0.1U Z 25V	R2013	401 113 4402	MT-GLAZE 75 JA 1/16W
C3017	403 157 1508	CERAMIC 3P C 50V	R2014	401 113 4402	MT-GLAZE 75 JA 1/16W
C3018	403 157 1508	CERAMIC 3P C 50V	R2015	401 113 4402	MT-GLAZE 75 JA 1/16W
C3019	403 157 1508	CERAMIC 3P C 50V	R2021	401 105 7909	MT-GLAZE 0.000 ZA 1/16W
C3041	403 164 0204	CERAMIC 0.1U Z 25V	R2022	401 113 4402	MT-GLAZE 75 JA 1/16W
C5001	403 229 3508	ELECT 100U M 16V	R2023	401 113 4402	MT-GLAZE 75 JA 1/16W
	403 335 0408	ELECT 100U M 16V	R2024	401 113 4402	MT-GLAZE 75 JA 1/16W
C5002	403 164 0204	CERAMIC 0.1U Z 25V	R2025	401 113 4402	MT-GLAZE 75 JA 1/16W
C5011	403 205 7803	TA-SOLID 2.2U M 16V	R2026	401 105 7909	MT-GLAZE 0.000 ZA 1/16W
C5012	403 205 7803	TA-SOLID 2.2U M 16V	R2027	401 113 4402	MT-GLAZE 75 JA 1/16W
C5013	403 205 7803	TA-SOLID 2.2U M 16V	R2028	401 113 4402	MT-GLAZE 75 JA 1/16W
C5014	403 205 7803	TA-SOLID 2.2U M 16V	R2029	401 113 4402	MT-GLAZE 75 JA 1/16W
C5021	403 304 3300	ELECT 47U M 16V	R2030	401 113 4402	MT-GLAZE 75 JA 1/16W
C5022	403 164 0204	CERAMIC 0.1U Z 25V	R2031	401 105 0603	MT-GLAZE 10K JA 1/16W
C5031	403 164 0204	CERAMIC 0.1U Z 25V	R2032	401 105 0405	MT-GLAZE 100 JA 1/16W
C5051	403 162 4709	ELECT 10U M 16V	R2041	401 105 5509	MT-GLAZE 470K JA 1/16W
	403 335 0309	ELECT 10U M 16V	R2042	401 105 5509	MT-GLAZE 470K JA 1/16W
C5061	403 162 4709	ELECT 10U M 16V	R2043	401 105 0405	MT-GLAZE 100 JA 1/16W
	403 335 0309	ELECT 10U M 16V	R2044	401 105 0405	MT-GLAZE 100 JA 1/16W
C5101	403 229 3508	ELECT 100U M 16V	R2051	401 105 0702	MT-GLAZE 100K JA 1/16W
	403 335 0408	ELECT 100U M 16V	R2052	401 105 0702	MT-GLAZE 100K JA 1/16W
C5102	403 164 0204	CERAMIC 0.1U Z 25V	R2053	401 105 0405	MT-GLAZE 100 JA 1/16W
C5108	403 164 0204	CERAMIC 0.1U Z 25V	R2054	401 105 0405	MT-GLAZE 100 JA 1/16W
C5111	403 304 2105	ELECT 47U M 6.3V	R2811	401 105 2706	MT-GLAZE 220 JA 1/16W
C5121	403 162 4709	ELECT 10U M 16V	R2812	407 225 0202	DIODE RB751S-40
	403 335 0309	ELECT 10U M 16V	R3011	401 113 4402	MT-GLAZE 75 JA 1/16W
C5131	403 348 5803	CERAMIC 0.47U K 10V	R3012	401 113 4402	MT-GLAZE 75 JA 1/16W
C5141	403 162 4709	ELECT 10U M 16V	R3013	401 113 4402	MT-GLAZE 75 JA 1/16W
	403 335 0309	ELECT 10U M 16V	R3014	401 105 1501	MT-GLAZE 1.5K JA 1/16W
C5151	403 162 4709	ELECT 10U M 16V	R3015	401 105 1501	MT-GLAZE 1.5K JA 1/16W
	403 335 0309	ELECT 10U M 16V	R3016	401 105 1501	MT-GLAZE 1.5K JA 1/16W
C5161	403 164 0204	CERAMIC 0.1U Z 25V	R3021	401 105 3208	MT-GLAZE 270 JA 1/16W
			R3022	401 105 3208	MT-GLAZE 270 JA 1/16W
			R3023	401 105 3208	MT-GLAZE 270 JA 1/16W
			R3041	401 105 6407	MT-GLAZE 68 JA 1/16W
			R3042	401 105 6407	MT-GLAZE 68 JA 1/16W
			R3043	401 105 0306	MT-GLAZE 10 JA 1/16W
			R3044	401 105 0306	MT-GLAZE 10 JA 1/16W
			R5011	401 105 0702	MT-GLAZE 100K JA 1/16W
			R5012	401 105 0702	MT-GLAZE 100K JA 1/16W
			R5013	401 105 0702	MT-GLAZE 100K JA 1/16W
			R5014	401 105 0702	MT-GLAZE 100K JA 1/16W
			R5021	401 105 6605	MT-GLAZE 6.8K JA 1/16W
			R5022	401 105 6605	MT-GLAZE 6.8K JA 1/16W
			R5031	401 105 7909	MT-GLAZE 0.000 ZA 1/16W
			R5032	401 105 2805	MT-GLAZE 2.2K JA 1/16W
			R5034	401 105 1501	MT-GLAZE 1.5K JA 1/16W
			R5041	401 105 7909	MT-GLAZE 0.000 ZA 1/16W
			R5042	401 105 2805	MT-GLAZE 2.2K JA 1/16W
			R5044	401 105 1501	MT-GLAZE 1.5K JA 1/16W
			R5046	401 105 2003	MT-GLAZE 1.8K JA 1/16W
			R5051	401 105 7909	MT-GLAZE 0.000 ZA 1/16W
			R5052	401 105 2805	MT-GLAZE 2.2K JA 1/16W
			R5054	401 105 2805	MT-GLAZE 2.2K JA 1/16W
			R5061	401 105 7909	MT-GLAZE 0.000 ZA 1/16W
RESISTOR					
RC2811	645 034 5029	UNIT,REMOCON RECEIVER			
R001	401 105 7909	MT-GLAZE 0.000 ZA 1/16W			
R011	401 105 0603	MT-GLAZE 10K JA 1/16W			
R012	401 105 0603	MT-GLAZE 10K JA 1/16W			
R013	401 105 2805	MT-GLAZE 2.2K JA 1/16W			
R014	401 105 0603	MT-GLAZE 10K JA 1/16W			
R016	401 105 0603	MT-GLAZE 10K JA 1/16W			
R017	401 105 4106	MT-GLAZE 3.3K JA 1/16W			
R1016	401 105 7909	MT-GLAZE 0.000 ZA 1/16W			
R1017	401 105 7909	MT-GLAZE 0.000 ZA 1/16W			
R1018	401 105 7909	MT-GLAZE 0.000 ZA 1/16W			
R1021	401 105 7909	MT-GLAZE 0.000 ZA 1/16W			
R1023	401 105 7909	MT-GLAZE 0.000 ZA 1/16W			
R1024	401 105 7909	MT-GLAZE 0.000 ZA 1/16W			
R1026	401 105 7909	MT-GLAZE 0.000 ZA 1/16W			
R1041	401 105 5509	MT-GLAZE 470K JA 1/16W			
R1042	401 105 5509	MT-GLAZE 470K JA 1/16W			
R1043	401 105 0405	MT-GLAZE 100 JA 1/16W			
R1044	401 105 0405	MT-GLAZE 100 JA 1/16W			
R1061	401 105 7909	MT-GLAZE 0.000 ZA 1/16W			
R1065	401 105 7909	MT-GLAZE 0.000 ZA 1/16W			
R1066	401 105 7909	MT-GLAZE 0.000 ZA 1/16W			

Electrical Parts List

Key No.	Part No.	Description	Key No.	Part No.	Description
R5062	401 105 2805	MT-GLAZE 2.2K JA 1/16W	DIODE		
R5064	401 105 2805	MT-GLAZE 2.2K JA 1/16W	D1001	407 179 0501	ZENER DIODE UDZ6.2B-TE-17
R5071	401 105 2904	MT-GLAZE 22K JA 1/16W	D1002	407 179 0501	ZENER DIODE UDZ6.2B-TE-17
R5072	401 105 0603	MT-GLAZE 10K JA 1/16W	D1003	407 179 0501	ZENER DIODE UDZ6.2B-TE-17
R5073	401 105 5301	MT-GLAZE 4.7K JA 1/16W	D1021	407 187 8209	ZENER DIODE UDZ12B-TE-17
R5074	401 105 0603	MT-GLAZE 10K JA 1/16W	D1022	407 187 8209	ZENER DIODE UDZ12B-TE-17
R5076	401 105 0603	MT-GLAZE 10K JA 1/16W	D1041	407 187 8209	ZENER DIODE UDZ12B-TE-17
R5077	401 105 0603	MT-GLAZE 10K JA 1/16W	D1042	407 187 8209	ZENER DIODE UDZ12B-TE-17
R5078	401 105 7909	MT-GLAZE 0.000 ZA 1/16W	D1043	407 187 8209	ZENER DIODE UDZ12B-TE-17
R5081	401 105 0504	MT-GLAZE 1K JA 1/16W	D1044	407 187 8209	ZENER DIODE UDZ12B-TE-17
R5111	401 105 5400	MT-GLAZE 47K JA 1/16W	D1051	407 187 8605	ZENER DIODE UDZ20B-TE-17
R5112	401 105 4700	MT-GLAZE 39K JA 1/16W	D1052	407 187 8605	ZENER DIODE UDZ20B-TE-17
R5113	401 105 1402	MT-GLAZE 150 JA 1/16W	D1053	407 187 8605	ZENER DIODE UDZ20B-TE-17
R5114	401 105 1501	MT-GLAZE 1.5K JA 1/16W	D1054	407 187 8605	ZENER DIODE UDZ20B-TE-17
R5116	401 105 1501	MT-GLAZE 1.5K JA 1/16W	D1055	407 187 8605	ZENER DIODE UDZ20B-TE-17
R5117	401 105 5103	MT-GLAZE 47 JA 1/16W	D1056	407 187 8605	ZENER DIODE UDZ20B-TE-17
R5121	401 105 5400	MT-GLAZE 47K JA 1/16W	D1057	407 187 8605	ZENER DIODE UDZ20B-TE-17
R5122	401 105 4700	MT-GLAZE 39K JA 1/16W	D1058	407 187 8605	ZENER DIODE UDZ20B-TE-17
R5123	401 105 1402	MT-GLAZE 150 JA 1/16W	D1059	407 187 8605	ZENER DIODE UDZ20B-TE-17
R5124	401 105 0504	MT-GLAZE 1K JA 1/16W	D1061	407 179 0501	ZENER DIODE UDZ6.2B-TE-17
R5126	401 105 5103	MT-GLAZE 47 JA 1/16W	D1065	407 187 8209	ZENER DIODE UDZ12B-TE-17
R5131	401 105 5400	MT-GLAZE 47K JA 1/16W	D1066	407 187 8209	ZENER DIODE UDZ12B-TE-17
R5132	401 105 4700	MT-GLAZE 39K JA 1/16W	D1067	407 187 8209	ZENER DIODE UDZ12B-TE-17
R5133	401 105 1402	MT-GLAZE 150 JA 1/16W	D1068	407 187 8209	ZENER DIODE UDZ12B-TE-17
R5134	401 105 0504	MT-GLAZE 1K JA 1/16W	D2001	407 179 0501	ZENER DIODE UDZ6.2B-TE-17
R5136	401 105 5103	MT-GLAZE 47 JA 1/16W	D2002	407 179 0501	ZENER DIODE UDZ6.2B-TE-17
R5141	401 105 5400	MT-GLAZE 47K JA 1/16W	D2003	407 179 0501	ZENER DIODE UDZ6.2B-TE-17
R5142	401 105 4700	MT-GLAZE 39K JA 1/16W	D2004	407 179 0501	ZENER DIODE UDZ6.2B-TE-17
R5143	401 105 1402	MT-GLAZE 150 JA 1/16W	D2005	407 179 0501	ZENER DIODE UDZ6.2B-TE-17
R5144	401 105 0504	MT-GLAZE 1K JA 1/16W	D2006	407 179 0501	ZENER DIODE UDZ6.2B-TE-17
R5146	401 105 5103	MT-GLAZE 47 JA 1/16W	D2021	407 179 0501	ZENER DIODE UDZ6.2B-TE-17
R5151	401 105 5400	MT-GLAZE 47K JA 1/16W	D2022	407 179 0501	ZENER DIODE UDZ6.2B-TE-17
R5152	401 105 4700	MT-GLAZE 39K JA 1/16W	D2023	407 179 0501	ZENER DIODE UDZ6.2B-TE-17
R5153	401 105 1402	MT-GLAZE 150 JA 1/16W	D2024	407 179 0501	ZENER DIODE UDZ6.2B-TE-17
R5154	401 105 0504	MT-GLAZE 1K JA 1/16W	D2025	407 187 8209	ZENER DIODE UDZ12B-TE-17
R5156	401 105 5103	MT-GLAZE 47 JA 1/16W	D2041	407 187 8209	ZENER DIODE UDZ12B-TE-17
R5161	401 105 0405	MT-GLAZE 100 JA 1/16W	D2042	407 187 8209	ZENER DIODE UDZ12B-TE-17
R5162	401 105 0405	MT-GLAZE 100 JA 1/16W	D2043	407 187 8209	ZENER DIODE UDZ12B-TE-17
R5163	401 105 0603	MT-GLAZE 10K JA 1/16W	D2044	407 187 8209	ZENER DIODE UDZ12B-TE-17
R5164	401 105 0603	MT-GLAZE 10K JA 1/16W	D2051	407 187 8209	ZENER DIODE UDZ12B-TE-17
			D2052	407 187 8209	ZENER DIODE UDZ12B-TE-17
			D2053	407 187 8209	ZENER DIODE UDZ12B-TE-17
			D2054	407 187 8209	ZENER DIODE UDZ12B-TE-17
			D2811	407 179 0501	ZENER DIODE UDZ6.2B-TE-17
			D2812	407 179 0501	ZENER DIODE UDZ6.2B-TE-17
			D5081	407 149 0807	DIODE 1SS355-TE-17
			D5082	407 149 0807	DIODE 1SS355-TE-17
COIL			MISCELLANEOUS		
L1001	645 044 8843	FILTER,EMI 200MHZ	K10A	645 009 8093	SOCKET,D-SUB 15P
L1002	645 044 8843	FILTER,EMI 200MHZ	K10B	645 000 2571	JACK,PHONE D8.0
L1003	645 044 8843	FILTER,EMI 200MHZ	K10C	645 000 2595	SOCKET,DIN 8P
L1021	645 044 8843	FILTER,EMI 200MHZ	K10D	645 028 0382	SOCKET,USB 4P
L1022	645 044 8843	FILTER,EMI 200MHZ	K20A	645 042 2799	JACK,RCA-3
L1041	645 045 6183	FILTER,EMI 25MHZ	K20B	645 030 6297	SOCKET,DIN 4P
L1042	645 045 6183	FILTER,EMI 25MHZ	K20C	645 047 8499	JACK,RCA-2
L1051	645 045 6183	FILTER,EMI 25MHZ	K20D	645 047 8499	JACK,RCA-2
L1052	645 045 6183	FILTER,EMI 25MHZ	SW1061	645 042 8104	SWITCH,PUSH 1P-1TX1
L1053	645 045 6183	FILTER,EMI 25MHZ			
L1054	645 045 6183	FILTER,EMI 25MHZ			
L1055	645 045 6183	FILTER,EMI 25MHZ			
L1056	645 045 6183	FILTER,EMI 25MHZ			
L1057	645 045 6183	FILTER,EMI 25MHZ			
L2004	645 044 8836	FILTER,EMI 100MHZ			
L2005	645 044 8836	FILTER,EMI 100MHZ			
L2006	645 044 8836	FILTER,EMI 100MHZ			
L2023	645 044 8836	FILTER,EMI 100MHZ			
L2024	645 044 8836	FILTER,EMI 100MHZ			
L2025	645 045 6183	FILTER,EMI 25MHZ			
L2041	645 045 6183	FILTER,EMI 25MHZ			
L2042	645 045 6183	FILTER,EMI 25MHZ			
L2051	645 045 6183	FILTER,EMI 25MHZ			
L2052	645 045 6183	FILTER,EMI 25MHZ			
L5001	645 026 0988	INDUCTOR,2.2U M			
			DVI BOARD		
			610 299 7347 ASSY,PWB,DVI MK8A		
			TRANSISTOR		
			Q7011	405 014 4509	TR 2SC2412K T146 R

Electrical Parts List

Key No.	Part No.	Description	Key No.	Part No.	Description
	405 015 8704	TR 2SC2812-L6-TB		405 173 9902	TR 2SC3928A1S
	405 015 8902	TR 2SC2812-L7-TB	Q681	405 047 9007	TR 2SB1204-S-TL
	405 163 1602	TR 2SC2812N-L6-TB0		405 047 9106	TR 2SB1204-T-TL
	405 163 1701	TR 2SC2812N-L7-TB0	Q682	405 014 4509	TR 2SC2412K T146 R
	405 173 9803	TR 2SC3928A1R		405 014 4608	TR 2SC2412K T146 S
	405 173 9902	TR 2SC3928A1S		405 015 8704	TR 2SC2812-L6-TB
Q65C	405 014 4509	TR 2SC2412K T146 R		405 015 8902	TR 2SC2812-L7-TB
	405 014 4608	TR 2SC2412K T146 S		405 163 1602	TR 2SC2812N-L6-TB0
	405 015 8704	TR 2SC2812-L6-TB		405 163 1701	TR 2SC2812N-L7-TB0
	405 015 8902	TR 2SC2812-L7-TB		405 173 9803	TR 2SC3928A1R
	405 163 1602	TR 2SC2812N-L6-TB0		405 173 9902	TR 2SC3928A1S
	405 163 1701	TR 2SC2812N-L7-TB0	Q69A	405 014 4509	TR 2SC2412K T146 R
	405 173 9803	TR 2SC3928A1R		405 014 4608	TR 2SC2412K T146 S
	405 173 9902	TR 2SC3928A1S		405 015 8704	TR 2SC2812-L6-TB
Q651	405 014 4509	TR 2SC2412K T146 R		405 015 8902	TR 2SC2812-L7-TB
	405 014 4608	TR 2SC2412K T146 S		405 163 1602	TR 2SC2812N-L6-TB0
	405 015 8704	TR 2SC2812-L6-TB		405 163 1701	TR 2SC2812N-L7-TB0
	405 015 8902	TR 2SC2812-L7-TB		405 173 9803	TR 2SC3928A1R
	405 163 1602	TR 2SC2812N-L6-TB0		405 173 9902	TR 2SC3928A1S
	405 163 1701	TR 2SC2812N-L7-TB0	Q691	405 154 3301	TR 2SK3280-TL
	405 173 9803	TR 2SC3928A1R			
	405 173 9902	TR 2SC3928A1S			
Q66A	405 014 4509	TR 2SC2412K T146 R	INTEGRATED CIRCUIT		
	405 014 4608	TR 2SC2412K T146 S	IC5501	409 362 1104	IC BA6287F
	405 015 8704	TR 2SC2812-L6-TB	IC5551	409 362 1104	IC BA6287F
	405 015 8902	TR 2SC2812-L7-TB	IC631	409 421 4701	IC STR-Z2156
	405 163 1602	TR 2SC2812N-L6-TB0	IC65A	409 531 6206	IC FA7701V-TE1
	405 163 1701	TR 2SC2812N-L7-TB0	IC651	409 344 6509	IC UPC1093T-E1
	405 173 9803	TR 2SC3928A1R	IC671	409 531 6206	IC FA7701V-TE1
	405 173 9902	TR 2SC3928A1S	IC681	409 531 6206	IC FA7701V-TE1
Q661	405 047 9007	TR 2SB1204-S-TL	CAPACITOR		
	405 047 9106	TR 2SB1204-T-TL	C5503	403 149 9208	CERAMIC 0.01U Z 50V
Q662	405 014 4509	TR 2SC2412K T146 R	C5553	403 149 9208	CERAMIC 0.01U Z 50V
	405 014 4608	TR 2SC2412K T146 S	C630	403 323 8706	MT-POLYEST 0.047U K 450V
	405 015 8704	TR 2SC2812-L6-TB	C631	403 192 4809	TA-SOLID 2.2U M 35V
	405 015 8902	TR 2SC2812-L7-TB	C633	403 113 3805	CERAMIC 1000P K 50V
	405 163 1602	TR 2SC2812N-L6-TB0	C634	403 247 3306	CERAMIC 330P K 2K
	405 163 1701	TR 2SC2812N-L7-TB0	C635	403 167 8603	CERAMIC 220P K 2K
	405 173 9803	TR 2SC3928A1R	C636	403 070 2606	CERAMIC 0.1U Z 50V
	405 173 9902	TR 2SC3928A1S	C637	403 157 6800	CERAMIC 680P K 50V
Q67A	405 139 7706	TR IMZ1A-T108	C638	403 208 1402	TA-SOLID 1U M 25V
Q67P	405 014 4509	TR 2SC2412K T146 R	C639	403 356 1804	ELECT 220U M 35V
	405 014 4608	TR 2SC2412K T146 S	C640	403 164 0204	CERAMIC 0.1U Z 25V
	405 015 8704	TR 2SC2812-L6-TB	C641	403 281 5205	CERAMIC 0.22U Z 16V
	405 015 8902	TR 2SC2812-L7-TB	C642	403 083 4307	POLYPRO 0.022U J 400V
	405 163 1602	TR 2SC2812N-L6-TB0	C643	403 256 2406	CERAMIC 0.22U Z 50V
	405 163 1701	TR 2SC2812N-L7-TB0	C65B	403 164 0204	CERAMIC 0.1U Z 25V
	405 173 9803	TR 2SC3928A1R	C65D	403 155 2309	CERAMIC 4700P K 50V
	405 173 9902	TR 2SC3928A1S	C65E	403 281 5205	CERAMIC 0.22U Z 16V
Q671	405 047 9007	TR 2SB1204-S-TL	C65F	403 194 4609	ELECT 470U M 16V
	405 047 9106	TR 2SB1204-T-TL	C65G	403 164 0204	CERAMIC 0.1U Z 25V
Q672	405 014 4509	TR 2SC2412K T146 R	C651	403 369 2409	ELECT 2700U M 25V
	405 014 4608	TR 2SC2412K T146 S	C652	403 350 5303	ELECT 3900U M 10V
	405 015 8704	TR 2SC2812-L6-TB	C653	403 331 0303	ELECT 470U M 16V
	405 015 8902	TR 2SC2812-L7-TB	C654	403 164 0204	CERAMIC 0.1U Z 25V
	405 163 1602	TR 2SC2812N-L6-TB0	C655	403 164 0204	CERAMIC 0.1U Z 25V
	405 163 1701	TR 2SC2812N-L7-TB0	C656	403 345 9606	CERAMIC 0.47U K 10V
	405 173 9803	TR 2SC3928A1R	C657	403 157 6404	CERAMIC 330P K 50V
	405 173 9902	TR 2SC3928A1S	C658	403 157 6404	CERAMIC 330P K 50V
Q68A	405 139 7706	TR IMZ1A-T108	C659	403 218 8101	ELECT 1000U M 25V
Q68P	405 014 4509	TR 2SC2412K T146 R	C661	403 218 8101	ELECT 1000U M 25V
	405 014 4608	TR 2SC2412K T146 S	C671	403 281 5205	CERAMIC 0.22U Z 16V
	405 015 8704	TR 2SC2812-L6-TB	C672	403 164 0204	CERAMIC 0.1U Z 25V
	405 015 8902	TR 2SC2812-L7-TB	C674	403 155 2309	CERAMIC 4700P K 50V
	405 163 1602	TR 2SC2812N-L6-TB0	C676	403 194 4609	ELECT 470U M 16V
	405 163 1701	TR 2SC2812N-L7-TB0	C681	403 281 5205	CERAMIC 0.22U Z 16V
	405 173 9803	TR 2SC3928A1R	C682	403 164 0204	CERAMIC 0.1U Z 25V
			C684	403 155 2309	CERAMIC 4700P K 50V

Electrical Parts List

Key No.	Part No.	Description	Key No.	Part No.	Description
C686	403 194 4609	ELECT 470U M 16V	R67C	401 105 7909	MT-GLAZE 0.000 ZA 1/16W
C69Z	403 164 0204	CERAMIC 0.1U Z 25V	R67D	401 219 1107	MT-GLAZE 1.8K FA 1/16W
C691	403 206 9004	ELECT 1000U M 6.3V	R67E	401 105 5301	MT-GLAZE 4.7K JA 1/16W
C692	403 206 9004	ELECT 1000U M 6.3V	R67F	401 105 0603	MT-GLAZE 10K JA 1/16W
C693	403 206 9004	ELECT 1000U M 6.3V	R67G	401 105 0504	MT-GLAZE 1K JA 1/16W
C694	403 206 9004	ELECT 1000U M 6.3V	R67H	401 105 2904	MT-GLAZE 22K JA 1/16W
C695	403 280 0805	ELECT 330U M 6.3V	R67I	401 105 0504	MT-GLAZE 1K JA 1/16W
RESISTOR			R67K	401 105 0603	MT-GLAZE 10K JA 1/16W
R5501	401 105 0504	MT-GLAZE 1K JA 1/16W	R67P	401 105 0504	MT-GLAZE 1K JA 1/16W
R5502	401 105 0504	MT-GLAZE 1K JA 1/16W	R67Q	401 105 0603	MT-GLAZE 10K JA 1/16W
R5503	401 105 5202	MT-GLAZE 470 JA 1/16W	R670	401 105 5301	MT-GLAZE 4.7K JA 1/16W
R5504	401 105 7909	MT-GLAZE 0.000 ZA 1/16W	R671	401 276 4707	MT-GLAZE 0.000 ZA 1/3W
R5505	401 105 5301	MT-GLAZE 4.7K JA 1/16W	R672	401 105 4007	MT-GLAZE 330 JA 1/16W
R5506	401 105 5301	MT-GLAZE 4.7K JA 1/16W	R673	401 230 4705	MT-GLAZE 680 JA 1W
R5551	401 105 0504	MT-GLAZE 1K JA 1/16W	R674	401 105 8005	MT-GLAZE 1M JA 1/16W
R5552	401 105 0504	MT-GLAZE 1K JA 1/16W	R675	401 113 8400	MT-GLAZE 75K JA 1/16W
R5553	401 105 5202	MT-GLAZE 470 JA 1/16W	R676	401 105 0702	MT-GLAZE 100K JA 1/16W
R5554	401 105 7909	MT-GLAZE 0.000 ZA 1/16W	R679	401 105 0603	MT-GLAZE 10K JA 1/16W
R5555	401 105 5301	MT-GLAZE 4.7K JA 1/16W	R68A	401 217 3806	MT-GLAZE 27K FA 1/16W
R5556	401 105 5301	MT-GLAZE 4.7K JA 1/16W	R68B	401 105 7909	MT-GLAZE 0.000 ZA 1/16W
R63B	401 275 2902	MT-GLAZE 68K JA 1W	R68C	401 105 7909	MT-GLAZE 0.000 ZA 1/16W
R63C	401 275 2902	MT-GLAZE 68K JA 1W	R68D	401 219 1107	MT-GLAZE 1.8K FA 1/16W
R63D	401 275 2902	MT-GLAZE 68K JA 1W	R68E	401 105 5301	MT-GLAZE 4.7K JA 1/16W
R63E	401 275 2902	MT-GLAZE 68K JA 1W	R68F	401 105 0603	MT-GLAZE 10K JA 1/16W
R632	401 190 1707	MT-GLAZE 0.000 ZA 1W	R68G	401 105 0504	MT-GLAZE 1K JA 1/16W
△R633	402 079 7803	FUSIBLE RES 22 JH 1/4W	R68H	401 105 2904	MT-GLAZE 22K JA 1/16W
R634	401 238 4509	MT-GLAZE 47 JA 1/3W	R68I	401 105 0504	MT-GLAZE 1K JA 1/16W
R635	401 105 0504	MT-GLAZE 1K JA 1/16W	R68K	401 105 0603	MT-GLAZE 10K JA 1/16W
R636	401 257 7406	MT-GLAZE 120 JA 1/3W	R68P	401 105 0504	MT-GLAZE 1K JA 1/16W
R637	401 105 5301	MT-GLAZE 4.7K JA 1/16W	R68Q	401 105 0603	MT-GLAZE 10K JA 1/16W
R638	401 105 0603	MT-GLAZE 10K JA 1/16W	R680	401 105 5301	MT-GLAZE 4.7K JA 1/16W
R643	401 105 7909	MT-GLAZE 0.000 ZA 1/16W	R681	401 276 4707	MT-GLAZE 0.000 ZA 1/3W
R645	401 105 0603	MT-GLAZE 10K JA 1/16W	R682	401 105 4007	MT-GLAZE 330 JA 1/16W
R65A	401 276 4707	MT-GLAZE 0.000 ZA 1/3W	R683	401 230 4705	MT-GLAZE 680 JA 1W
R65B	401 105 4007	MT-GLAZE 330 JA 1/16W	R684	401 105 8005	MT-GLAZE 1M JA 1/16W
R65C	401 230 4705	MT-GLAZE 680 JA 1W	R685	401 113 8400	MT-GLAZE 75K JA 1/16W
R65E	401 113 8400	MT-GLAZE 75K JA 1/16W	R686	401 105 0702	MT-GLAZE 100K JA 1/16W
R65G	401 105 0702	MT-GLAZE 100K JA 1/16W	R689	401 105 0603	MT-GLAZE 10K JA 1/16W
R65H	401 105 4700	MT-GLAZE 39K JA 1/16W	R69A	401 105 0603	MT-GLAZE 10K JA 1/16W
R65J	401 105 2904	MT-GLAZE 22K JA 1/16W	R69B	401 105 0603	MT-GLAZE 10K JA 1/16W
R65K	401 105 5301	MT-GLAZE 4.7K JA 1/16W	R69C	401 105 0603	MT-GLAZE 10K JA 1/16W
R65L	401 105 4601	MT-GLAZE 3.9K JA 1/16W	R69D	401 105 0603	MT-GLAZE 10K JA 1/16W
R65P	401 105 0603	MT-GLAZE 10K JA 1/16W	R69E	401 105 0603	MT-GLAZE 10K JA 1/16W
R65Q	401 105 5301	MT-GLAZE 4.7K JA 1/16W	R69F	401 105 0603	MT-GLAZE 10K JA 1/16W
R65V	401 105 0603	MT-GLAZE 10K JA 1/16W	R69G	401 105 5301	MT-GLAZE 4.7K JA 1/16W
R65W	401 105 0603	MT-GLAZE 10K JA 1/16W	R69H	401 105 0504	MT-GLAZE 1K JA 1/16W
R65X	401 105 5301	MT-GLAZE 4.7K JA 1/16W	(ME3-XU4500, PLC-XU45)		
R65Y	401 105 8005	MT-GLAZE 1M JA 1/16W	R69R	401 258 7504	MT-GLAZE 12 JA 1/3W
R651	401 105 0504	MT-GLAZE 1K JA 1/16W	(MF3-XU4600, PLC-XU46)		
R652	401 105 0306	MT-GLAZE 10 JA 1/16W	R69R	401 276 4707	MT-GLAZE 0.000 ZA 1/3W
R653	401 186 0202	MT-GLAZE 10K DA 1/16W	R69Z	401 105 7909	MT-GLAZE 0.000 ZA 1/16W
R654	401 185 9305	MT-GLAZE 560 DA 1/16W	R691	401 105 2904	MT-GLAZE 22K JA 1/16W
R655	401 185 9503	MT-GLAZE 6.8K DA 1/16W	R692	401 105 0702	MT-GLAZE 100K JA 1/16W
R656	401 105 3208	MT-GLAZE 270 JA 1/16W	R695	401 225 4604	MT-GLAZE 1.2 JA 1W
R657	401 105 0504	MT-GLAZE 1K JA 1/16W	TRANSFORMER		
R658	401 105 0504	MT-GLAZE 1K JA 1/16W	△T651	645 030 7126	TRANS, POWER, PULSE
R659	401 105 0504	MT-GLAZE 1K JA 1/16W	COIL		
R66A	401 105 0603	MT-GLAZE 10K JA 1/16W	L65A	645 007 7975	INDUCTOR, 100U K
R66B	401 105 0603	MT-GLAZE 10K JA 1/16W	L661	645 048 5688	INDUCTOR, 47U K
R66C	401 105 5301	MT-GLAZE 4.7K JA 1/16W	L671	645 048 5381	INDUCTOR, 100U K
R660	401 105 5301	MT-GLAZE 4.7K JA 1/16W	L681	645 048 5381	INDUCTOR, 100U K
R661	401 105 0603	MT-GLAZE 10K JA 1/16W	L691	645 048 5664	INDUCTOR, 390U K
R662	401 230 8000	MT-GLAZE 1K JA 1/3W	L692	645 007 8118	INDUCTOR, 390U K
R663	401 105 5301	MT-GLAZE 4.7K JA 1/16W	L693	645 007 7975	INDUCTOR, 100U K
R664	401 105 0603	MT-GLAZE 10K JA 1/16W			
R67A	401 217 3806	MT-GLAZE 27K FA 1/16W			
R67B	401 105 7909	MT-GLAZE 0.000 ZA 1/16W			

Electrical Parts List

Key No.	Part No.	Description	Key No.	Part No.	Description
R62R	401 177 2208	MT-GLAZE 5.6M JA 1/16W	R2802	401 105 2706	MT-GLAZE 220 JA 1/16W
R620	401 259 9002	MT-GLAZE 150K FA 1/2W	DIODE		
R623	401 105 5301	MT-GLAZE 4.7K JA 1/16W	D2801	407 210 5601	DIODE RB500V-40-TE-17
VARIABLE RESISTOR			MAIN BOARD		
VR611	645 002 3460	VR, SEMI, 1K S	(For ME3-XU4500, PLC-XU45)		
TRANSFORMER			610 304 8925 ASSY,PWB,MAIN ME3A		
TSW611	645 027 4145	SWITCH, THERMAL	(For MF3-XU4600, PLC-XU46)		
	645 031 0256	THERMOSTATS	610 305 8696 ASSY,PWB,MAIN MF3A		
COIL			TRANSISTOR		
L611	645 048 4742	INDUCTOR, 850U	Q111	405 014 4509	TR 2SC2412K T146 R
DIODE				405 014 4608	TR 2SC2412K T146 S
DB611	407 202 7705	DIODE D10XB60		405 015 8704	TR 2SC2812-L6-TB
D613	407 149 6304	DIODE SFPB-54V		405 015 8902	TR 2SC2812-L7-TB
D614	407 191 3900	DIODE FML-G16S		405 163 1602	TR 2SC2812N-L6-TB0
D616	407 149 0807	DIODE 1SS355-TE-17		405 163 1701	TR 2SC2812N-L7-TB0
D617	407 149 0807	DIODE 1SS355-TE-17		405 173 9803	TR 2SC3928A1R
D618	407 149 0807	DIODE 1SS355-TE-17		405 173 9902	TR 2SC3928A1S
D619	407 149 0807	DIODE 1SS355-TE-17	Q1131	405 014 4509	TR 2SC2412K T146 R
MISCELLANEOUS				405 014 4608	TR 2SC2412K T146 S
FB611	610 229 3531	CORE		405 015 8704	TR 2SC2812-L6-TB
FB612	610 229 3531	CORE		405 015 8902	TR 2SC2812-L7-TB
FB613	610 229 3531	CORE		405 163 1602	TR 2SC2812N-L6-TB0
PTH611	408 037 4600	THERMISTOR NTH11D8R0LA		405 163 1701	TR 2SC2812N-L7-TB0
LINE FILTER BOARD				405 173 9803	TR 2SC3928A1R
610 301 0953 ASSY,PWB,LINE FILTER MK8A				405 173 9902	TR 2SC3928A1S
CAPACITOR			Q1132	405 014 4509	TR 2SC2412K T146 R
△C601	404 081 4702	MT-POLYEST 0.22U M 275V		405 014 4608	TR 2SC2412K T146 S
△C602	404 081 4702	MT-POLYEST 0.22U M 275V		405 015 8704	TR 2SC2812-L6-TB
△C603	404 081 4702	MT-POLYEST 0.22U M 275V		405 015 8902	TR 2SC2812-L7-TB
△C604	404 081 4702	MT-POLYEST 0.22U M 275V		405 163 1602	TR 2SC2812N-L6-TB0
RESISTOR				405 163 1701	TR 2SC2812N-L7-TB0
△R601	401 287 5700	MT-GLAZE 220K JA 1W		405 173 9803	TR 2SC3928A1R
VARIABLE RESISTOR				405 173 9902	TR 2SC3928A1S
△VA601	408 018 9808	VARISTOR ENC471D-14AS	Q1133	405 014 4509	TR 2SC2412K T146 R
COIL				405 014 4608	TR 2SC2412K T146 S
△L601	645 050 2231	LINE FILTER		405 015 8704	TR 2SC2812-L6-TB
△L602	645 025 7810	LINE FILTER		405 015 8902	TR 2SC2812-L7-TB
MISCELLANEOUS				405 163 1602	TR 2SC2812N-L6-TB0
△F601	423 022 2102	FUSE 250V 4A		405 163 1701	TR 2SC2812N-L7-TB0
F601A	645 000 5077	HOLDER, FUSE		405 173 9803	TR 2SC3928A1R
F601B	645 000 5077	HOLDER, FUSE		405 173 9902	TR 2SC3928A1S
R/C BOARD			Q1141	405 134 5905	TR 2SA1037AK-T146-R
610 301 0960 ASSY,PWB,R/C MK8A			Q1142	405 134 5905	TR 2SA1037AK-T146-R
CAPACITOR			Q1143	405 134 5905	TR 2SA1037AK-T146-R
C2801	403 304 2402	ELECT 100U M 10V	Q1151	405 014 4509	TR 2SC2412K T146 R
C2802	403 283 6309	CERAMIC 1U Z 10V		405 014 4608	TR 2SC2412K T146 S
C2803	403 157 6602	CERAMIC 470P K 50V		405 015 8704	TR 2SC2812-L6-TB
RESISTOR				405 015 8902	TR 2SC2812-L7-TB
RC2801	645 034 5029	UNIT, REMOCON RECEIVER		405 163 1602	TR 2SC2812N-L6-TB0
R2801	401 105 2706	MT-GLAZE 220 JA 1/16W		405 163 1701	TR 2SC2812N-L7-TB0
				405 173 9803	TR 2SC3928A1R
				405 173 9902	TR 2SC3928A1S
			Q1152	405 014 4509	TR 2SC2412K T146 R
				405 014 4608	TR 2SC2412K T146 S
				405 015 8704	TR 2SC2812-L6-TB
				405 015 8902	TR 2SC2812-L7-TB
				405 163 1602	TR 2SC2812N-L6-TB0
				405 163 1701	TR 2SC2812N-L7-TB0
				405 173 9803	TR 2SC3928A1R
				405 173 9902	TR 2SC3928A1S
			Q1153	405 014 4509	TR 2SC2412K T146 R

Electrical Parts List

Key No.	Part No.	Description	Key No.	Part No.	Description
	405 014 4608	TR 2SC2412K T146 S		405 173 9803	TR 2SC3928A1R
	405 015 8704	TR 2SC2812-L6-TB		405 173 9902	TR 2SC3928A1S
	405 015 8902	TR 2SC2812-L7-TB	Q2526	405 014 4509	TR 2SC2412K T146 R
	405 163 1602	TR 2SC2812N-L6-TB0		405 014 4608	TR 2SC2412K T146 S
	405 163 1701	TR 2SC2812N-L7-TB0		405 015 8704	TR 2SC2812-L6-TB
	405 173 9803	TR 2SC3928A1R		405 015 8902	TR 2SC2812-L7-TB
	405 173 9902	TR 2SC3928A1S		405 163 1602	TR 2SC2812N-L6-TB0
Q1161	405 014 4509	TR 2SC2412K T146 R		405 163 1701	TR 2SC2812N-L7-TB0
	405 014 4608	TR 2SC2412K T146 S		405 173 9803	TR 2SC3928A1R
	405 015 8704	TR 2SC2812-L6-TB		405 173 9902	TR 2SC3928A1S
	405 015 8902	TR 2SC2812-L7-TB	Q2531	405 014 4509	TR 2SC2412K T146 R
	405 163 1602	TR 2SC2812N-L6-TB0		405 014 4608	TR 2SC2412K T146 S
	405 163 1701	TR 2SC2812N-L7-TB0		405 015 8704	TR 2SC2812-L6-TB
	405 173 9803	TR 2SC3928A1R		405 015 8902	TR 2SC2812-L7-TB
	405 173 9902	TR 2SC3928A1S		405 163 1602	TR 2SC2812N-L6-TB0
Q131	405 014 4509	TR 2SC2412K T146 R		405 163 1701	TR 2SC2812N-L7-TB0
	405 014 4608	TR 2SC2412K T146 S		405 173 9803	TR 2SC3928A1R
	405 015 8704	TR 2SC2812-L6-TB		405 173 9902	TR 2SC3928A1S
	405 015 8902	TR 2SC2812-L7-TB	Q2816	405 014 4509	TR 2SC2412K T146 R
	405 163 1602	TR 2SC2812N-L6-TB0		405 014 4608	TR 2SC2412K T146 S
	405 163 1701	TR 2SC2812N-L7-TB0		405 015 8704	TR 2SC2812-L6-TB
	405 173 9803	TR 2SC3928A1R		405 015 8902	TR 2SC2812-L7-TB
	405 173 9902	TR 2SC3928A1S		405 163 1602	TR 2SC2812N-L6-TB0
Q132	405 014 4509	TR 2SC2412K T146 R		405 163 1701	TR 2SC2812N-L7-TB0
	405 014 4608	TR 2SC2412K T146 S		405 173 9803	TR 2SC3928A1R
	405 015 8704	TR 2SC2812-L6-TB		405 173 9902	TR 2SC3928A1S
	405 015 8902	TR 2SC2812-L7-TB	Q2851	405 134 5905	TR 2SA1037AK-T146-R
	405 163 1602	TR 2SC2812N-L6-TB0	Q2856	405 014 4509	TR 2SC2412K T146 R
	405 163 1701	TR 2SC2812N-L7-TB0		405 014 4608	TR 2SC2412K T146 S
	405 173 9803	TR 2SC3928A1R		405 015 8704	TR 2SC2812-L6-TB
	405 173 9902	TR 2SC3928A1S		405 015 8902	TR 2SC2812-L7-TB
Q151	405 134 5905	TR 2SA1037AK-T146-R		405 163 1602	TR 2SC2812N-L6-TB0
Q152	405 014 4509	TR 2SC2412K T146 R		405 163 1701	TR 2SC2812N-L7-TB0
	405 014 4608	TR 2SC2412K T146 S		405 173 9803	TR 2SC3928A1R
	405 015 8704	TR 2SC2812-L6-TB		405 173 9902	TR 2SC3928A1S
	405 015 8902	TR 2SC2812-L7-TB	Q2861	405 014 4509	TR 2SC2412K T146 R
	405 163 1602	TR 2SC2812N-L6-TB0		405 014 4608	TR 2SC2412K T146 S
	405 163 1701	TR 2SC2812N-L7-TB0		405 015 8704	TR 2SC2812-L6-TB
	405 173 9803	TR 2SC3928A1R		405 015 8902	TR 2SC2812-L7-TB
	405 173 9902	TR 2SC3928A1S		405 163 1602	TR 2SC2812N-L6-TB0
Q171	405 134 5905	TR 2SA1037AK-T146-R		405 163 1701	TR 2SC2812N-L7-TB0
Q172	405 014 4509	TR 2SC2412K T146 R		405 173 9803	TR 2SC3928A1R
	405 014 4608	TR 2SC2412K T146 S		405 173 9902	TR 2SC3928A1S
	405 015 8704	TR 2SC2812-L6-TB	Q2865	405 014 4509	TR 2SC2412K T146 R
	405 015 8902	TR 2SC2812-L7-TB		405 014 4608	TR 2SC2412K T146 S
	405 163 1602	TR 2SC2812N-L6-TB0		405 015 8704	TR 2SC2812-L6-TB
	405 163 1701	TR 2SC2812N-L7-TB0		405 015 8902	TR 2SC2812-L7-TB
	405 173 9803	TR 2SC3928A1R		405 163 1602	TR 2SC2812N-L6-TB0
	405 173 9902	TR 2SC3928A1S		405 163 1701	TR 2SC2812N-L7-TB0
Q1816	405 045 8705	TR 2SK536-TB		405 173 9803	TR 2SC3928A1R
Q1817	405 045 8705	TR 2SK536-TB		405 173 9902	TR 2SC3928A1S
Q1818	405 045 8705	TR 2SK536-TB	Q3111	405 014 4509	TR 2SC2412K T146 R
Q1819	405 045 8705	TR 2SK536-TB		405 014 4608	TR 2SC2412K T146 S
Q2506	405 014 4509	TR 2SC2412K T146 R		405 015 8704	TR 2SC2812-L6-TB
	405 014 4608	TR 2SC2412K T146 S		405 015 8902	TR 2SC2812-L7-TB
	405 015 8704	TR 2SC2812-L6-TB		405 163 1602	TR 2SC2812N-L6-TB0
	405 015 8902	TR 2SC2812-L7-TB		405 163 1701	TR 2SC2812N-L7-TB0
	405 163 1602	TR 2SC2812N-L6-TB0		405 173 9803	TR 2SC3928A1R
	405 163 1701	TR 2SC2812N-L7-TB0		405 173 9902	TR 2SC3928A1S
	405 173 9803	TR 2SC3928A1R	Q3112	405 014 4509	TR 2SC2412K T146 R
	405 173 9902	TR 2SC3928A1S		405 014 4608	TR 2SC2412K T146 S
Q2516	405 014 4509	TR 2SC2412K T146 R		405 015 8704	TR 2SC2812-L6-TB
	405 014 4608	TR 2SC2412K T146 S		405 015 8902	TR 2SC2812-L7-TB
	405 015 8704	TR 2SC2812-L6-TB		405 163 1602	TR 2SC2812N-L6-TB0
	405 015 8902	TR 2SC2812-L7-TB		405 163 1701	TR 2SC2812N-L7-TB0
	405 163 1602	TR 2SC2812N-L6-TB0		405 173 9803	TR 2SC3928A1R
	405 163 1701	TR 2SC2812N-L7-TB0		405 173 9902	TR 2SC3928A1S

Electrical Parts List

Key No.	Part No.	Description	Key No.	Part No.	Description
Q3113	405 134 5905	TR 2SA1037AK-T146-R		405 015 8704	TR 2SC2812-L6-TB
Q3162	405 014 4509	TR 2SC2412K T146 R		405 015 8902	TR 2SC2812-L7-TB
	405 014 4608	TR 2SC2412K T146 S		405 163 1602	TR 2SC2812N-L6-TB0
	405 015 8704	TR 2SC2812-L6-TB		405 163 1701	TR 2SC2812N-L7-TB0
	405 015 8902	TR 2SC2812-L7-TB		405 173 9803	TR 2SC3928A1R
	405 163 1602	TR 2SC2812N-L6-TB0		405 173 9902	TR 2SC3928A1S
	405 163 1701	TR 2SC2812N-L7-TB0	Q856	405 014 4509	TR 2SC2412K T146 R
	405 173 9803	TR 2SC3928A1R		405 014 4608	TR 2SC2412K T146 S
	405 173 9902	TR 2SC3928A1S		405 015 8704	TR 2SC2812-L6-TB
Q3163	405 134 5905	TR 2SA1037AK-T146-R		405 015 8902	TR 2SC2812-L7-TB
Q3171	405 014 4509	TR 2SC2412K T146 R		405 163 1602	TR 2SC2812N-L6-TB0
	405 014 4608	TR 2SC2412K T146 S		405 163 1701	TR 2SC2812N-L7-TB0
	405 015 8704	TR 2SC2812-L6-TB		405 173 9803	TR 2SC3928A1R
	405 015 8902	TR 2SC2812-L7-TB		405 173 9902	TR 2SC3928A1S
	405 163 1602	TR 2SC2812N-L6-TB0	Q9801	405 134 5905	TR 2SA1037AK-T146-R
	405 163 1701	TR 2SC2812N-L7-TB0	INTEGRATED CIRCUIT		
	405 173 9803	TR 2SC3928A1R	IC1101	409 504 9005	IC TB1274AF
	405 173 9902	TR 2SC3928A1S	IC1171	409 416 6505	IC BA05FP-E2
Q3172	405 134 5905	TR 2SA1037AK-T146-R	IC121	410 300 4804	IC MM1031XM
Q3181	405 014 4509	TR 2SC2412K T146 R	IC1301	409 339 3605	IC 24LC16BT/SN-T
	405 014 4608	TR 2SC2412K T146 S	IC1311	409 301 5309	IC TC7S32FU-TE85L
	405 015 8704	TR 2SC2812-L6-TB	IC1331	410 397 0406	IC IC61LV6416-15T
	405 015 8902	TR 2SC2812-L7-TB	IC1341	410 471 4900	IC MBM29LV800TA90C173
	405 163 1602	TR 2SC2812N-L6-TB0	IC1351	409 501 9107	IC ICS512MT
	405 163 1701	TR 2SC2812N-L7-TB0	IC1361	409 501 9107	IC ICS512MT
	405 173 9803	TR 2SC3928A1R	IC1371	409 301 5309	IC TC7S32FU-TE85L
	405 173 9902	TR 2SC3928A1S	IC1501	409 502 3302	IC L3E06070D0A
Q3182	405 134 5905	TR 2SA1037AK-T146-R	IC1531	409 502 3302	IC L3E06070D0A
Q3591	405 002 8304	TR 2SA1203-Y-TE12L	IC1561	409 502 3302	IC L3E06070D0A
Q3592	405 014 4509	TR 2SC2412K T146 R	IC1581	409 506 0406	IC M62392FP
	405 014 4608	TR 2SC2412K T146 S	IC1801	409 339 3605	IC 24LC16BT/SN-T
	405 015 8704	TR 2SC2812-L6-TB	IC1811	410 409 7201	IC IS61LV256-12T
	405 015 8902	TR 2SC2812-L7-TB	IC1821	410 349 4100	IC TC7W241FU (TE12L)
	405 163 1602	TR 2SC2812N-L6-TB0	IC1826	409 400 7105	IC TC7W53FU- (TE12L)
	405 163 1701	TR 2SC2812N-L7-TB0	IC1831	409 506 0406	IC M62392FP
	405 173 9803	TR 2SC3928A1R	IC1851	409 404 6302	IC M62320FP
	405 173 9902	TR 2SC3928A1S	IC1861	410 337 0503	IC TC74LCX14FT
Q4171	405 134 5905	TR 2SA1037AK-T146-R		410 337 0602	IC HD74LVC14T
Q4172	405 014 4509	TR 2SC2412K T146 R	IC1871	410 325 4605	IC TC74LCX244FT
	405 014 4608	TR 2SC2412K T146 S	IC1881	410 315 5506	IC HD74HCT244TV
	405 015 8704	TR 2SC2812-L6-TB		410 356 7507	IC SN74HCT244PWR
	405 015 8902	TR 2SC2812-L7-TB	IC201	409 520 4305	IC AD9888KS-140
	405 163 1602	TR 2SC2812N-L6-TB0	IC2101	409 442 1307	IC CXD2064Q
	405 163 1701	TR 2SC2812N-L7-TB0	IC2161	409 506 0406	IC M62392FP
	405 173 9803	TR 2SC3928A1R	IC2181	409 404 6302	IC M62320FP
	405 173 9902	TR 2SC3928A1S	IC251	410 349 4100	IC TC7W241FU (TE12L)
Q6126	405 014 4509	TR 2SC2412K T146 R	IC2571	409 458 3401	IC M62393FP
	405 014 4608	TR 2SC2412K T146 S	IC2881	409 481 8602	IC LM76CHMX-5
	405 015 8704	TR 2SC2812-L6-TB	IC301	409 501 8308	IC PW365-10U
	405 015 8902	TR 2SC2812-L7-TB	IC3101	409 211 7301	IC MC14053BF
	405 163 1602	TR 2SC2812N-L6-TB0		409 051 2900	IC TC4053BF-TP1
	405 163 1701	TR 2SC2812N-L7-TB0	IC3121	409 461 7304	IC AD8057ART
	405 173 9803	TR 2SC3928A1R	IC3131	409 461 7304	IC AD8057ART
	405 173 9902	TR 2SC3928A1S	IC3141	409 461 7304	IC AD8057ART
Q6127	405 134 5905	TR 2SA1037AK-T146-R	IC3161	409 428 8405	IC TC7WT125FU-TE12L
Q6137	405 014 4509	TR 2SC2412K T146 R	IC3181	409 323 8906	IC TC4W53FU (TE12L)
	405 014 4608	TR 2SC2412K T146 S	IC3531	409 502 3203	IC L3E01031F0A
	405 015 8704	TR 2SC2812-L6-TB	IC3551	409 390 0001	IC LM7171AIMX
	405 015 8902	TR 2SC2812-L7-TB		409 486 7709	IC LM7171BIMX
	405 163 1602	TR 2SC2812N-L6-TB0	IC3561	409 502 3203	IC L3E01031F0A
	405 163 1701	TR 2SC2812N-L7-TB0	IC3581	409 343 0201	IC LT1206CS8
	405 173 9803	TR 2SC3928A1R	IC3801	409 380 6303	IC HIN232CB
	405 173 9902	TR 2SC3928A1S		409 273 3501	IC SP232ACT
Q8101	405 045 8705	TR 2SK536-TB	IC3821	410 296 5700	IC TWM7000-151020
Q8102	405 045 8705	TR 2SK536-TB	IC3831	409 404 7200	IC TC7SET00FU- (TE85L)
Q8141	405 014 4509	TR 2SC2412K T146 R	IC3841	410 275 5707	IC TWM7000-162020
	405 014 4608	TR 2SC2412K T146 S		410 275 5806	IC TWM7000-162020

Electrical Parts List

Key No.	Part No.	Description	Key No.	Part No.	Description
IC401	409 502 3401	IC L3E07050 K0A	C1121	403 157 1805	CERAMIC 9P D 50V
IC4101	409 474 0002	IC CXA2101AQ	C1122	403 164 0204	CERAMIC 0.1U Z 25V
IC4186	409 428 8405	IC TC7WT125FU-TE12L	C1123	403 149 9208	CERAMIC 0.01U Z 50V
IC501	409 502 3302	IC L3E06070D0A	C1124	403 162 6000	ELECT 0.47U M 50V
IC5211	409 462 6009	IC AD8185ARU	C1126	403 164 0204	CERAMIC 0.1U Z 25V
IC5241	409 470 2604	IC AD8183ARU	C1127	403 149 9208	CERAMIC 0.01U Z 50V
IC5251	409 357 6602	IC LT1260CS	C1128	403 164 0204	CERAMIC 0.1U Z 25V
IC5261	410 343 7008	IC SN74AHCT1G14DBVR	C1129	403 164 0204	CERAMIC 0.1U Z 25V
IC5271	409 461 7304	IC AD8057ART	C1131	403 215 2904	CERAMIC 0.022U K 25V
IC5281	409 461 7304	IC AD8057ART	C1132	403 162 6604	ELECT 2.2U M 50V
IC5291	409 461 7304	IC AD8057ART	C1133	403 113 3805	CERAMIC 1000P K 50V
IC531	409 502 3302	IC L3E06070D0A	C1161	403 155 4204	CERAMIC 15P J 50V
IC561	409 502 3302	IC L3E06070D0A	C1171	403 322 7809	ELECT 220U M 6.3V
IC6101	409 431 6009	IC MC74VHC14DT		403 349 4706	ELECT 220U M 6.3V
	410 356 8009	IC SN74LV14APWR	C1172	403 164 0204	CERAMIC 0.1U Z 25V
IC6121	409 158 5804	IC TC74HC123AF-TP1	C122	403 164 0204	CERAMIC 0.1U Z 25V
IC6141	409 158 5804	IC TC74HC123AF-TP1	C123	403 266 8108	NP-ELECT 1U M 50V
IC6171	409 523 5002	IC TA1318AF	C1301	403 164 0204	CERAMIC 0.1U Z 25V
IC6201	409 407 7900	IC EL4332CS	C131	403 164 0204	CERAMIC 0.1U Z 25V
IC6241	409 484 2003	IC BA7078AF-E2	C1311	403 164 0204	CERAMIC 0.1U Z 25V
IC6251	409 431 6009	IC MC74VHC14DT	C1331	403 322 7809	ELECT 220U M 6.3V
	410 356 8009	IC SN74LV14APWR		403 349 4706	ELECT 220U M 6.3V
IC6261	409 211 7301	IC MC14053BF	C1332	403 164 0204	CERAMIC 0.1U Z 25V
	409 051 2900	IC TC4053BF-TP1	C1333	403 164 0204	CERAMIC 0.1U Z 25V
IC6271	410 354 6304	IC SN74LVC126APWR	C1342	403 164 0204	CERAMIC 0.1U Z 25V
IC6281	409 429 6806	IC TC74LCX74FT-(EL)	C1351	403 304 1801	ELECT 100U M 6.3V
IC6621	409 124 5708	IC L78M09T-TR		403 373 7704	ELECT 100U M 6.3V
IC6631	409 416 6406	IC BA033FP-E2	C1352	403 164 0204	CERAMIC 0.1U Z 25V
IC6641	409 416 6406	IC BA033FP-E2	C1362	403 164 0204	CERAMIC 0.1U Z 25V
IC6651	409 416 6406	IC BA033FP-E2	C1371	403 164 0204	CERAMIC 0.1U Z 25V
IC6661	409 499 1701	IC PQ025EZ01ZP	C1401	403 322 7809	ELECT 220U M 6.3V
	409 461 7700	IC PQ2TZ15		403 349 4706	ELECT 220U M 6.3V
IC6671	409 499 1701	IC PQ025EZ01ZP	C1402	403 164 0204	CERAMIC 0.1U Z 25V
	409 461 7700	IC PQ2TZ15	C1403	403 164 0204	CERAMIC 0.1U Z 25V
IC8001	410 451 8805	IC SII161BCT100	C1404	403 164 0204	CERAMIC 0.1U Z 25V
IC8002	409 397 3005	IC TC7SET04FU-(TE85L)	C1406	403 164 0204	CERAMIC 0.1U Z 25V
IC801	410 471 4801	IC HD64F2238ATE13-C172	C1407	403 164 0204	CERAMIC 0.1U Z 25V
IC8051	410 321 8300	IC TC74VCX16244FT	C1408	403 164 0204	CERAMIC 0.1U Z 25V
IC8061	410 321 8300	IC TC74VCX16244FT	C1409	403 164 0204	CERAMIC 0.1U Z 25V
IC8071	410 321 8300	IC TC74VCX16244FT	C1411	403 164 0204	CERAMIC 0.1U Z 25V
IC8081	410 407 4004	IC TC74VCX541FT	C1412	403 164 0204	CERAMIC 0.1U Z 25V
IC8101	409 211 7301	IC MC14053BF	C1413	403 164 0204	CERAMIC 0.1U Z 25V
	409 051 2900	IC TC4053BF-TP1	C1414	403 164 0204	CERAMIC 0.1U Z 25V
IC8111	409 417 5507	IC 24LC04BT/SN	C1416	403 164 0204	CERAMIC 0.1U Z 25V
IC841	409 433 4201	IC MN13821-H-TX	C1501	403 304 1801	ELECT 100U M 6.3V
IC9801	409 468 8908	IC ML60851CTB		403 373 7704	ELECT 100U M 6.3V
	409 521 4502	IC ML60851DTB	C1502	403 164 0204	CERAMIC 0.1U Z 25V
			C1503	403 304 3300	ELECT 47U M 16V
			C1504	403 164 0204	CERAMIC 0.1U Z 25V
			C1506	403 164 0204	CERAMIC 0.1U Z 25V
			C1507	403 164 0204	CERAMIC 0.1U Z 25V
			C1508	403 164 0204	CERAMIC 0.1U Z 25V
			C1509	403 164 0204	CERAMIC 0.1U Z 25V
			C151	403 304 3300	ELECT 47U M 16V
			C1511	403 164 0204	CERAMIC 0.1U Z 25V
			C1512	403 164 0204	CERAMIC 0.1U Z 25V
			C1513	403 164 0204	CERAMIC 0.1U Z 25V
			C152	403 164 0204	CERAMIC 0.1U Z 25V
			C153	403 267 0804	NP-ELECT 47U M 6.3V
			C1531	403 304 1801	ELECT 100U M 6.3V
				403 373 7704	ELECT 100U M 6.3V
			C1532	403 164 0204	CERAMIC 0.1U Z 25V
			C1533	403 304 3300	ELECT 47U M 16V
			C1534	403 164 0204	CERAMIC 0.1U Z 25V
			C1536	403 164 0204	CERAMIC 0.1U Z 25V
			C1537	403 164 0204	CERAMIC 0.1U Z 25V
			C1538	403 164 0204	CERAMIC 0.1U Z 25V
CAPACITOR					
C1101	403 304 2105	ELECT 47U M 6.3V			
C1102	403 164 0204	CERAMIC 0.1U Z 25V			
C1103	403 304 2105	ELECT 47U M 6.3V			
C1104	403 164 0204	CERAMIC 0.1U Z 25V			
C1105	403 304 2105	ELECT 47U M 6.3V			
C1106	403 164 0204	CERAMIC 0.1U Z 25V			
C1107	403 304 2105	ELECT 47U M 6.3V			
C1108	403 164 0204	CERAMIC 0.1U Z 25V			
C111	403 304 3300	ELECT 47U M 16V			
C1111	403 164 0204	CERAMIC 0.1U Z 25V			
C1112	403 164 0204	CERAMIC 0.1U Z 25V			
C1113	403 164 0204	CERAMIC 0.1U Z 25V			
C1114	403 149 9208	CERAMIC 0.01U Z 50V			
C1115	403 157 2901	CERAMIC 47P J 50V			
C1116	403 164 0204	CERAMIC 0.1U Z 25V			
C1117	403 164 0204	CERAMIC 0.1U Z 25V			
C1118	403 164 0204	CERAMIC 0.1U Z 25V			
C1119	403 162 5300	ELECT 4.7U M 25V			
C112	403 164 0204	CERAMIC 0.1U Z 25V			

Electrical Parts List

Key No.	Part No.	Description	Key No.	Part No.	Description
C1539	403 164 0204	CERAMIC 0.1U Z 25V	C2164	403 164 0204	CERAMIC 0.1U Z 25V
C154	403 164 0204	CERAMIC 0.1U Z 25V	C221	403 164 0204	CERAMIC 0.1U Z 25V
C1541	403 164 0204	CERAMIC 0.1U Z 25V	C222	403 164 0204	CERAMIC 0.1U Z 25V
C1542	403 164 0204	CERAMIC 0.1U Z 25V	C223	403 164 0204	CERAMIC 0.1U Z 25V
C1543	403 164 0204	CERAMIC 0.1U Z 25V	C225	403 164 0204	CERAMIC 0.1U Z 25V
C1561	403 304 1801	ELECT 100U M 6.3V	C228	403 164 0204	CERAMIC 0.1U Z 25V
	403 373 7704	ELECT 100U M 6.3V	C229	403 164 0204	CERAMIC 0.1U Z 25V
C1562	403 164 0204	CERAMIC 0.1U Z 25V	C231	403 164 0204	CERAMIC 0.1U Z 25V
C1563	403 304 3300	ELECT 47U M 16V	C232	403 164 0204	CERAMIC 0.1U Z 25V
C1564	403 164 0204	CERAMIC 0.1U Z 25V	C233	403 164 0204	CERAMIC 0.1U Z 25V
C1566	403 164 0204	CERAMIC 0.1U Z 25V	C234	403 164 0204	CERAMIC 0.1U Z 25V
C1567	403 164 0204	CERAMIC 0.1U Z 25V	C235	403 164 0204	CERAMIC 0.1U Z 25V
C1568	403 164 0204	CERAMIC 0.1U Z 25V	C2501	403 164 0204	CERAMIC 0.1U Z 25V
C1569	403 164 0204	CERAMIC 0.1U Z 25V	C2502	403 164 0204	CERAMIC 0.1U Z 25V
C1571	403 164 0204	CERAMIC 0.1U Z 25V	C2503	403 164 0204	CERAMIC 0.1U Z 25V
C1572	403 164 0204	CERAMIC 0.1U Z 25V	C2506	403 164 0204	CERAMIC 0.1U Z 25V
C1573	403 164 0204	CERAMIC 0.1U Z 25V	C2507	403 304 3508	ELECT 10U M 25V
C1581	403 164 0204	CERAMIC 0.1U Z 25V	C2508	403 164 0204	CERAMIC 0.1U Z 25V
C1582	403 304 2105	ELECT 47U M 6.3V	C251	403 164 0204	CERAMIC 0.1U Z 25V
C1583	403 164 0204	CERAMIC 0.1U Z 25V	C2511	403 164 0204	CERAMIC 0.1U Z 25V
C171	403 164 0204	CERAMIC 0.1U Z 25V	C2512	403 164 0204	CERAMIC 0.1U Z 25V
C1801	403 164 0204	CERAMIC 0.1U Z 25V	C2513	403 164 0204	CERAMIC 0.1U Z 25V
C1811	403 304 1801	ELECT 100U M 6.3V	C2516	403 164 0204	CERAMIC 0.1U Z 25V
	403 373 7704	ELECT 100U M 6.3V	C2517	403 304 3508	ELECT 10U M 25V
C1812	403 164 0204	CERAMIC 0.1U Z 25V	C2518	403 164 0204	CERAMIC 0.1U Z 25V
C1821	403 164 0204	CERAMIC 0.1U Z 25V	C2521	403 164 0204	CERAMIC 0.1U Z 25V
C1826	403 164 0204	CERAMIC 0.1U Z 25V	C2522	403 164 0204	CERAMIC 0.1U Z 25V
C1831	403 304 2105	ELECT 47U M 6.3V	C2523	403 164 0204	CERAMIC 0.1U Z 25V
C1832	403 164 0204	CERAMIC 0.1U Z 25V	C2526	403 164 0204	CERAMIC 0.1U Z 25V
C1833	403 304 2105	ELECT 47U M 6.3V	C2527	403 304 3508	ELECT 10U M 25V
C1834	403 164 0204	CERAMIC 0.1U Z 25V	C2528	403 164 0204	CERAMIC 0.1U Z 25V
C1861	403 164 0204	CERAMIC 0.1U Z 25V	C2571	403 164 0204	CERAMIC 0.1U Z 25V
C1871	403 164 0204	CERAMIC 0.1U Z 25V	C2572	403 304 2105	ELECT 47U M 6.3V
C1881	403 164 0204	CERAMIC 0.1U Z 25V	C2573	403 164 0204	CERAMIC 0.1U Z 25V
C201	403 322 7809	ELECT 220U M 6.3V	C2591	403 229 3508	ELECT 100U M 16V
	403 349 4706	ELECT 220U M 6.3V		403 335 0408	ELECT 100U M 16V
C202	403 164 0204	CERAMIC 0.1U Z 25V	C278	403 164 0204	CERAMIC 0.1U Z 25V
C203	403 322 7809	ELECT 220U M 6.3V	C2807	403 157 2901	CERAMIC 47P J 50V
	403 349 4706	ELECT 220U M 6.3V	C2821	403 164 0204	CERAMIC 0.1U Z 25V
C204	403 164 0204	CERAMIC 0.1U Z 25V	C2822	403 164 0204	CERAMIC 0.1U Z 25V
C205	403 322 7809	ELECT 220U M 6.3V	C2823	403 164 0204	CERAMIC 0.1U Z 25V
	403 349 4706	ELECT 220U M 6.3V	C288	403 164 0204	CERAMIC 0.1U Z 25V
C206	403 164 0204	CERAMIC 0.1U Z 25V	C2882	403 164 0204	CERAMIC 0.1U Z 25V
C2101	403 304 1801	ELECT 100U M 6.3V	C298	403 164 0204	CERAMIC 0.1U Z 25V
	403 373 7704	ELECT 100U M 6.3V	C301	403 322 7809	ELECT 220U M 6.3V
C2102	403 164 0204	CERAMIC 0.1U Z 25V		403 349 4706	ELECT 220U M 6.3V
C2103	403 304 1801	ELECT 100U M 6.3V	C302	403 164 0204	CERAMIC 0.1U Z 25V
	403 373 7704	ELECT 100U M 6.3V	C303	403 322 7809	ELECT 220U M 6.3V
C2104	403 164 0204	CERAMIC 0.1U Z 25V		403 349 4706	ELECT 220U M 6.3V
C2105	403 304 1801	ELECT 100U M 6.3V	C304	403 164 0204	CERAMIC 0.1U Z 25V
	403 373 7704	ELECT 100U M 6.3V	C306	403 164 0204	CERAMIC 0.1U Z 25V
C2106	403 164 0204	CERAMIC 0.1U Z 25V	C307	403 164 0204	CERAMIC 0.1U Z 25V
C211	403 157 7203	CERAMIC 3900P K 50V	C308	403 164 0204	CERAMIC 0.1U Z 25V
C2111	403 175 4802	NP-ELECT 10U M 10V	C309	403 164 0204	CERAMIC 0.1U Z 25V
C2112	403 164 0204	CERAMIC 0.1U Z 25V	C3101	403 162 4709	ELECT 10U M 16V
C2113	403 164 0204	CERAMIC 0.1U Z 25V		403 335 0309	ELECT 10U M 16V
C2117	403 164 0204	CERAMIC 0.1U Z 25V	C3102	403 162 4709	ELECT 10U M 16V
C2118	403 164 0204	CERAMIC 0.1U Z 25V		403 335 0309	ELECT 10U M 16V
C2119	403 164 0204	CERAMIC 0.1U Z 25V	C3103	403 164 0204	CERAMIC 0.1U Z 25V
C2121	403 164 0204	CERAMIC 0.1U Z 25V	C3104	403 162 4709	ELECT 10U M 16V
C2124	403 149 9208	CERAMIC 0.01U Z 50V		403 335 0309	ELECT 10U M 16V
C2126	403 149 9208	CERAMIC 0.01U Z 50V	C311	403 164 0204	CERAMIC 0.1U Z 25V
C2127	403 215 2904	CERAMIC 0.022U K 25V	C3112	403 163 9802	CERAMIC 0.047U Z 25V
C213	403 338 0108	CERAMIC 0.039U K 25V	C3113	403 163 9802	CERAMIC 0.047U Z 25V
C2161	403 304 2105	ELECT 47U M 6.3V	C312	403 164 0204	CERAMIC 0.1U Z 25V
C2162	403 164 0204	CERAMIC 0.1U Z 25V	C3122	403 157 1904	CERAMIC 10P D 50V
C2163	403 304 2105	ELECT 47U M 6.3V	C3126	403 304 1801	ELECT 100U M 6.3V

Electrical Parts List

Key No.	Part No.	Description	Key No.	Part No.	Description
	403 373 7704	ELECT 100U M 6.3V	C4116	403 164 0204	CERAMIC 0.1U Z 25V
C3127	403 164 0204	CERAMIC 0.1U Z 25V	C412	403 164 0204	CERAMIC 0.1U Z 25V
C313	403 164 0204	CERAMIC 0.1U Z 25V	C4127	403 283 6309	CERAMIC 1U Z 10V
C3132	403 157 1904	CERAMIC 10P D 50V	C413	403 164 0204	CERAMIC 0.1U Z 25V
C314	403 164 0204	CERAMIC 0.1U Z 25V	C4134	403 149 9208	CERAMIC 0.01U Z 50V
C3142	403 157 1904	CERAMIC 10P D 50V	C4137	403 283 6309	CERAMIC 1U Z 10V
C316	403 164 0204	CERAMIC 0.1U Z 25V	C4138	403 164 0204	CERAMIC 0.1U Z 25V
C3161	403 164 0204	CERAMIC 0.1U Z 25V	C4139	403 164 0204	CERAMIC 0.1U Z 25V
C317	403 164 0204	CERAMIC 0.1U Z 25V	C414	403 164 0204	CERAMIC 0.1U Z 25V
C318	403 164 0204	CERAMIC 0.1U Z 25V	C4141	403 164 0204	CERAMIC 0.1U Z 25V
C319	403 164 0204	CERAMIC 0.1U Z 25V	C4142	403 162 4709	ELECT 10U M 16V
C321	403 164 0204	CERAMIC 0.1U Z 25V		403 335 0309	ELECT 10U M 16V
C322	403 164 0204	CERAMIC 0.1U Z 25V	C4143	403 162 6000	ELECT 0.47U M 50V
C323	403 164 0204	CERAMIC 0.1U Z 25V	C4144	403 149 9208	CERAMIC 0.01U Z 50V
C324	403 164 0204	CERAMIC 0.1U Z 25V	C4146	403 162 4709	ELECT 10U M 16V
C3532	403 164 0204	CERAMIC 0.1U Z 25V		403 335 0309	ELECT 10U M 16V
C3533	403 229 3508	ELECT 100U M 16V	C4147	403 164 0204	CERAMIC 0.1U Z 25V
	403 335 0408	ELECT 100U M 16V	C4148	403 149 9208	CERAMIC 0.01U Z 50V
C3534	403 164 0204	CERAMIC 0.1U Z 25V	C4149	403 149 9208	CERAMIC 0.01U Z 50V
C3536	403 164 0204	CERAMIC 0.1U Z 25V	C4151	403 149 9208	CERAMIC 0.01U Z 50V
C3538	403 164 0204	CERAMIC 0.1U Z 25V	C4152	403 149 9208	CERAMIC 0.01U Z 50V
C3539	403 164 0204	CERAMIC 0.1U Z 25V	C4153	403 149 9208	CERAMIC 0.01U Z 50V
C3551	403 229 3508	ELECT 100U M 16V	C4154	403 149 9208	CERAMIC 0.01U Z 50V
	403 335 0408	ELECT 100U M 16V	C4156	403 162 4709	ELECT 10U M 16V
C3552	403 164 0204	CERAMIC 0.1U Z 25V		403 335 0309	ELECT 10U M 16V
C3553	403 157 3601	CERAMIC 100P J 50V	C4158	403 162 6000	ELECT 0.47U M 50V
C3562	403 164 0204	CERAMIC 0.1U Z 25V	C4159	403 149 9208	CERAMIC 0.01U Z 50V
C3563	403 229 3508	ELECT 100U M 16V	C416	403 164 0204	CERAMIC 0.1U Z 25V
	403 335 0408	ELECT 100U M 16V	C4161	403 149 9208	CERAMIC 0.01U Z 50V
C3564	403 164 0204	CERAMIC 0.1U Z 25V	C4162	403 149 9208	CERAMIC 0.01U Z 50V
C3566	403 164 0204	CERAMIC 0.1U Z 25V	C4163	403 164 0204	CERAMIC 0.1U Z 25V
C3568	403 164 0204	CERAMIC 0.1U Z 25V	C4164	403 164 0204	CERAMIC 0.1U Z 25V
C3569	403 164 0204	CERAMIC 0.1U Z 25V	C4166	403 164 0204	CERAMIC 0.1U Z 25V
C3581	403 229 3508	ELECT 100U M 16V	C4167	403 164 0204	CERAMIC 0.1U Z 25V
	403 335 0408	ELECT 100U M 16V	C4168	403 164 0204	CERAMIC 0.1U Z 25V
C3582	403 164 0204	CERAMIC 0.1U Z 25V	C4169	403 164 0204	CERAMIC 0.1U Z 25V
C3583	403 157 3601	CERAMIC 100P J 50V	C417	403 164 0204	CERAMIC 0.1U Z 25V
C3584	403 149 9208	CERAMIC 0.01U Z 50V	C4176	403 164 0204	CERAMIC 0.1U Z 25V
C3592	403 162 4709	ELECT 10U M 16V	C4177	403 175 4802	NP-ELECT 10U M 10V
	403 335 0309	ELECT 10U M 16V	C418	403 164 0204	CERAMIC 0.1U Z 25V
C3801	403 164 0204	CERAMIC 0.1U Z 25V	C4186	403 164 0204	CERAMIC 0.1U Z 25V
C3802	403 162 6208	ELECT 1U M 50V	C419	403 164 0204	CERAMIC 0.1U Z 25V
C3803	403 162 6208	ELECT 1U M 50V	C421	403 164 0204	CERAMIC 0.1U Z 25V
C3804	403 162 6208	ELECT 1U M 50V	C422	403 164 0204	CERAMIC 0.1U Z 25V
C3806	403 162 6208	ELECT 1U M 50V	C423	403 164 0204	CERAMIC 0.1U Z 25V
C3821	403 164 0204	CERAMIC 0.1U Z 25V	C501	403 304 1801	ELECT 100U M 6.3V
C3831	403 164 0204	CERAMIC 0.1U Z 25V		403 373 7704	ELECT 100U M 6.3V
C3841	403 162 6208	ELECT 1U M 50V	C502	403 164 0204	CERAMIC 0.1U Z 25V
C3842	403 164 0204	CERAMIC 0.1U Z 25V	C503	403 304 3300	ELECT 47U M 16V
C3843	403 164 0204	CERAMIC 0.1U Z 25V	C504	403 164 0204	CERAMIC 0.1U Z 25V
C3844	403 304 2105	ELECT 47U M 6.3V	C506	403 164 0204	CERAMIC 0.1U Z 25V
C401	403 322 7809	ELECT 220U M 6.3V	C507	403 164 0204	CERAMIC 0.1U Z 25V
	403 349 4706	ELECT 220U M 6.3V	C508	403 164 0204	CERAMIC 0.1U Z 25V
C402	403 164 0204	CERAMIC 0.1U Z 25V	C509	403 164 0204	CERAMIC 0.1U Z 25V
C403	403 322 7809	ELECT 220U M 6.3V	C511	403 164 0204	CERAMIC 0.1U Z 25V
	403 349 4706	ELECT 220U M 6.3V	C512	403 164 0204	CERAMIC 0.1U Z 25V
C404	403 164 0204	CERAMIC 0.1U Z 25V	C513	403 164 0204	CERAMIC 0.1U Z 25V
C406	403 164 0204	CERAMIC 0.1U Z 25V	C5201	403 304 2105	ELECT 47U M 6.3V
C407	403 164 0204	CERAMIC 0.1U Z 25V	C5202	403 164 0204	CERAMIC 0.1U Z 25V
C408	403 164 0204	CERAMIC 0.1U Z 25V	C5203	403 304 2105	ELECT 47U M 6.3V
C409	403 164 0204	CERAMIC 0.1U Z 25V	C5204	403 164 0204	CERAMIC 0.1U Z 25V
C4102	403 164 0204	CERAMIC 0.1U Z 25V	C5206	403 304 2105	ELECT 47U M 6.3V
C4103	403 280 1604	ELECT 220U M 16V	C5207	403 164 0204	CERAMIC 0.1U Z 25V
C4104	403 164 0204	CERAMIC 0.1U Z 25V	C5208	403 304 2105	ELECT 47U M 6.3V
C4105	403 304 3300	ELECT 47U M 16V	C5209	403 164 0204	CERAMIC 0.1U Z 25V
C4106	403 164 0204	CERAMIC 0.1U Z 25V	C521	403 164 0204	CERAMIC 0.1U Z 25V
C411	403 164 0204	CERAMIC 0.1U Z 25V	C5216	403 164 0204	CERAMIC 0.1U Z 25V

Electrical Parts List

Key No.	Part No.	Description	Key No.	Part No.	Description
C5217	403 164 0204	CERAMIC 0.1U Z 25V	C6121	403 164 0204	CERAMIC 0.1U Z 25V
C5218	403 164 0204	CERAMIC 0.1U Z 25V	C6127	403 155 1302	CERAMIC 150P J 50V
C5219	403 149 9208	CERAMIC 0.01U Z 50V	C6131	403 163 9802	CERAMIC 0.047U Z 25V
C522	403 164 0204	CERAMIC 0.1U Z 25V	C6141	403 164 0204	CERAMIC 0.1U Z 25V
C5231	403 162 4006	ELECT 22U M 6.3V	C6147	403 163 9802	CERAMIC 0.047U Z 25V
C5232	403 162 4006	ELECT 22U M 6.3V	C6151	403 163 9802	CERAMIC 0.047U Z 25V
C5233	403 162 4006	ELECT 22U M 6.3V	C6170	403 229 3508	ELECT 100U M 16V
C5241	403 164 0204	CERAMIC 0.1U Z 25V		403 335 0408	ELECT 100U M 16V
C5242	403 164 0204	CERAMIC 0.1U Z 25V	C6171	403 229 3508	ELECT 100U M 16V
C5243	403 164 0204	CERAMIC 0.1U Z 25V		403 335 0408	ELECT 100U M 16V
C5244	403 149 9208	CERAMIC 0.01U Z 50V	C6172	403 164 0204	CERAMIC 0.1U Z 25V
C5246	403 267 0804	NP-ELECT 47U M 6.3V	C6176	403 164 0204	CERAMIC 0.1U Z 25V
C5247	403 267 0804	NP-ELECT 47U M 6.3V	C6177	403 164 0204	CERAMIC 0.1U Z 25V
C5248	403 267 0804	NP-ELECT 47U M 6.3V	C6178	403 215 2201	CERAMIC 0.01U K 50V
C5251	403 164 0204	CERAMIC 0.1U Z 25V	C6179	403 162 6604	ELECT 2.2U M 50V
C5252	403 164 0204	CERAMIC 0.1U Z 25V	C6183	403 164 0204	CERAMIC 0.1U Z 25V
C5253	403 164 0204	CERAMIC 0.1U Z 25V	C6184	403 164 0204	CERAMIC 0.1U Z 25V
C5256	403 304 3300	ELECT 47U M 16V	C6202	403 283 6309	CERAMIC 1U Z 10V
C5257	403 164 0204	CERAMIC 0.1U Z 25V	C6204	403 283 6309	CERAMIC 1U Z 10V
C5258	403 304 1801	ELECT 100U M 6.3V	C6206	403 149 9208	CERAMIC 0.01U Z 50V
	403 373 7704	ELECT 100U M 6.3V	C6211	403 313 8006	CERAMIC 1000P J 25V
C5259	403 164 0204	CERAMIC 0.1U Z 25V	C6212	403 348 5803	CERAMIC 0.47U K 10V
C5261	403 164 0204	CERAMIC 0.1U Z 25V	C6221	403 313 8006	CERAMIC 1000P J 25V
C5271	403 304 1801	ELECT 100U M 6.3V	C6222	401 105 7909	MT-GLAZE 0.000 ZA 1/16W
	403 373 7704	ELECT 100U M 6.3V	C6241	403 304 1801	ELECT 100U M 6.3V
C5272	403 283 6309	CERAMIC 1U Z 10V		403 373 7704	ELECT 100U M 6.3V
C5273	403 304 1801	ELECT 100U M 6.3V	C6242	403 164 0204	CERAMIC 0.1U Z 25V
	403 373 7704	ELECT 100U M 6.3V	C6243	403 205 7803	TA-SOLID 2.2U M 16V
C5274	403 283 6309	CERAMIC 1U Z 10V	C6244	403 205 7803	TA-SOLID 2.2U M 16V
C5276	403 157 1904	CERAMIC 10P D 50V	C6245	403 162 6208	ELECT 1U M 50V
C5277	401 105 7909	MT-GLAZE 0.000 ZA 1/16W	C6246	403 348 5803	CERAMIC 0.47U K 10V
C5278	403 157 2901	CERAMIC 47P J 50V	C6247	403 162 6604	ELECT 2.2U M 50V
C5286	403 157 1904	CERAMIC 10P D 50V	C6248	403 162 6208	ELECT 1U M 50V
C5287	401 105 7909	MT-GLAZE 0.000 ZA 1/16W	C6249	403 157 3601	CERAMIC 100P J 50V
C5288	403 157 2901	CERAMIC 47P J 50V	C6251	403 164 0204	CERAMIC 0.1U Z 25V
C5296	403 157 1904	CERAMIC 10P D 50V	C6261	403 164 0204	CERAMIC 0.1U Z 25V
C5297	401 105 7909	MT-GLAZE 0.000 ZA 1/16W	C6265	403 157 3809	CERAMIC 120P J 50V
C5298	403 157 2901	CERAMIC 47P J 50V	C6266	403 157 3809	CERAMIC 120P J 50V
C531	403 304 1801	ELECT 100U M 6.3V	C6267	403 157 3809	CERAMIC 120P J 50V
	403 373 7704	ELECT 100U M 6.3V	C6268	403 157 3809	CERAMIC 120P J 50V
C532	403 164 0204	CERAMIC 0.1U Z 25V	C6271	403 164 0204	CERAMIC 0.1U Z 25V
C533	403 304 3300	ELECT 47U M 16V	C6281	403 164 0204	CERAMIC 0.1U Z 25V
C534	403 164 0204	CERAMIC 0.1U Z 25V	C6601	403 322 7809	ELECT 220U M 6.3V
C536	403 164 0204	CERAMIC 0.1U Z 25V		403 349 4706	ELECT 220U M 6.3V
C537	403 164 0204	CERAMIC 0.1U Z 25V	C6602	403 164 0204	CERAMIC 0.1U Z 25V
C538	403 164 0204	CERAMIC 0.1U Z 25V	C6603	403 322 7809	ELECT 220U M 6.3V
C539	403 164 0204	CERAMIC 0.1U Z 25V		403 349 4706	ELECT 220U M 6.3V
C541	403 164 0204	CERAMIC 0.1U Z 25V	C6604	403 164 0204	CERAMIC 0.1U Z 25V
C542	403 164 0204	CERAMIC 0.1U Z 25V	C6606	403 322 7809	ELECT 220U M 6.3V
C543	403 164 0204	CERAMIC 0.1U Z 25V		403 349 4706	ELECT 220U M 6.3V
C551	403 164 0204	CERAMIC 0.1U Z 25V	C6607	403 164 0204	CERAMIC 0.1U Z 25V
C552	403 164 0204	CERAMIC 0.1U Z 25V	C6611	403 322 7809	ELECT 220U M 6.3V
C561	403 304 1801	ELECT 100U M 6.3V		403 349 4706	ELECT 220U M 6.3V
	403 373 7704	ELECT 100U M 6.3V	C6612	403 164 0204	CERAMIC 0.1U Z 25V
C562	403 164 0204	CERAMIC 0.1U Z 25V	C6613	403 280 1604	ELECT 220U M 16V
C563	403 304 3300	ELECT 47U M 16V	C6614	403 164 0204	CERAMIC 0.1U Z 25V
C564	403 164 0204	CERAMIC 0.1U Z 25V	C6616	403 280 1604	ELECT 220U M 16V
C566	403 164 0204	CERAMIC 0.1U Z 25V	C6617	403 280 1604	ELECT 220U M 16V
C567	403 164 0204	CERAMIC 0.1U Z 25V	C6621	403 229 3508	ELECT 100U M 16V
C568	403 164 0204	CERAMIC 0.1U Z 25V		403 335 0408	ELECT 100U M 16V
C569	403 164 0204	CERAMIC 0.1U Z 25V	C6622	403 164 0204	CERAMIC 0.1U Z 25V
C571	403 164 0204	CERAMIC 0.1U Z 25V	C6623	403 229 3508	ELECT 100U M 16V
C572	403 164 0204	CERAMIC 0.1U Z 25V		403 335 0408	ELECT 100U M 16V
C573	403 164 0204	CERAMIC 0.1U Z 25V	C6624	403 164 0204	CERAMIC 0.1U Z 25V
C581	403 164 0204	CERAMIC 0.1U Z 25V	C6631	403 229 3508	ELECT 100U M 16V
C582	403 164 0204	CERAMIC 0.1U Z 25V		403 335 0408	ELECT 100U M 16V
C6101	403 164 0204	CERAMIC 0.1U Z 25V	C6632	403 164 0204	CERAMIC 0.1U Z 25V

Electrical Parts List

Key No.	Part No.	Description	Key No.	Part No.	Description
C6633	403 322 7809	ELECT 220U M 6.3V		403 335 0309	ELECT 10U M 16V
	403 349 4706	ELECT 220U M 6.3V	C844	403 283 6309	CERAMIC 1U Z 10V
C6634	403 164 0204	CERAMIC 0.1U Z 25V	C846	403 164 0204	CERAMIC 0.1U Z 25V
C6642	403 164 0204	CERAMIC 0.1U Z 25V	C851	403 145 9905	CERAMIC 22P J 50V
C6643	403 322 7809	ELECT 220U M 6.3V	C852	403 145 9905	CERAMIC 22P J 50V
	403 349 4706	ELECT 220U M 6.3V	C9802	403 164 0204	CERAMIC 0.1U Z 25V
C6644	403 164 0204	CERAMIC 0.1U Z 25V	C9803	403 164 0204	CERAMIC 0.1U Z 25V
C6652	403 164 0204	CERAMIC 0.1U Z 25V	C9804	403 164 0204	CERAMIC 0.1U Z 25V
C6653	403 322 7809	ELECT 220U M 6.3V	C9806	403 164 0204	CERAMIC 0.1U Z 25V
	403 349 4706	ELECT 220U M 6.3V	C9811	403 113 3805	CERAMIC 1000P K 50V
C6654	403 164 0204	CERAMIC 0.1U Z 25V	C9812	403 153 9102	CERAMIC 5P C 50V
C6662	403 164 0204	CERAMIC 0.1U Z 25V	C9813	403 164 0204	CERAMIC 0.1U Z 25V
C6663	403 322 7809	ELECT 220U M 6.3V			
	403 349 4706	ELECT 220U M 6.3V	RESISTOR		
C6664	403 164 0204	CERAMIC 0.1U Z 25V	RB1431	645 037 0663	R-NETWORK 22X4 0.063W
C6665	403 164 0204	CERAMIC 0.1U Z 25V		645 033 2210	R-NETWORK 22X4 1/16W
C6672	403 164 0204	CERAMIC 0.1U Z 25V	RB1432	645 037 0663	R-NETWORK 22X4 0.063W
C6673	403 322 7809	ELECT 220U M 6.3V		645 033 2210	R-NETWORK 22X4 1/16W
	403 349 4706	ELECT 220U M 6.3V	RB1433	645 037 0663	R-NETWORK 22X4 0.063W
C6674	403 164 0204	CERAMIC 0.1U Z 25V		645 033 2210	R-NETWORK 22X4 1/16W
C6675	403 164 0204	CERAMIC 0.1U Z 25V	RB1434	645 037 0663	R-NETWORK 22X4 0.063W
C8001	403 304 1801	ELECT 100U M 6.3V		645 033 2210	R-NETWORK 22X4 1/16W
	403 373 7704	ELECT 100U M 6.3V	RB1435	645 037 0663	R-NETWORK 22X4 0.063W
C8002	403 164 0204	CERAMIC 0.1U Z 25V		645 033 2210	R-NETWORK 22X4 1/16W
C8003	403 304 1801	ELECT 100U M 6.3V	RB1436	645 037 0663	R-NETWORK 22X4 0.063W
	403 373 7704	ELECT 100U M 6.3V		645 033 2210	R-NETWORK 22X4 1/16W
C8004	403 164 0204	CERAMIC 0.1U Z 25V	RB1441	645 037 0656	R-NETWORK 0X4 0.063W
C8005	403 304 1801	ELECT 100U M 6.3V		645 027 1519	R-NETWORK 0X4 1/16W
	403 373 7704	ELECT 100U M 6.3V	RB1442	645 037 0656	R-NETWORK 0X4 0.063W
C8006	403 164 0204	CERAMIC 0.1U Z 25V		645 027 1519	R-NETWORK 0X4 1/16W
C801	403 304 1801	ELECT 100U M 6.3V	RB1443	645 037 0656	R-NETWORK 0X4 0.063W
	403 373 7704	ELECT 100U M 6.3V		645 027 1519	R-NETWORK 0X4 1/16W
C8011	403 164 0204	CERAMIC 0.1U Z 25V	RB1444	645 037 0656	R-NETWORK 0X4 0.063W
C8012	403 155 1500	CERAMIC 180P J 50V		645 027 1519	R-NETWORK 0X4 1/16W
C8013	403 169 2807	CERAMIC 330P J 50V	RB1445	645 037 0656	R-NETWORK 0X4 0.063W
C8014	403 169 2807	CERAMIC 330P J 50V		645 027 1519	R-NETWORK 0X4 1/16W
C8016	403 155 1500	CERAMIC 180P J 50V	RB1446	645 037 0656	R-NETWORK 0X4 0.063W
C8017	403 169 2807	CERAMIC 330P J 50V		645 027 1519	R-NETWORK 0X4 1/16W
C8019	403 169 2807	CERAMIC 330P J 50V	RB301	645 020 7822	R-NETWORK 10KX4 0.063W
C802	403 164 0204	CERAMIC 0.1U Z 25V		645 026 8014	R-NETWORK 10KX4 1/16W
C8021	403 155 1500	CERAMIC 180P J 50V	RB302	645 020 7822	R-NETWORK 10KX4 0.063W
C8022	403 169 2807	CERAMIC 330P J 50V		645 026 8014	R-NETWORK 10KX4 1/16W
C8023	403 157 3601	CERAMIC 100P J 50V	RB303	645 020 7822	R-NETWORK 10KX4 0.063W
C8024	403 157 3601	CERAMIC 100P J 50V		645 026 8014	R-NETWORK 10KX4 1/16W
C8026	403 157 3601	CERAMIC 100P J 50V	RB304	645 020 7822	R-NETWORK 10KX4 0.063W
C8027	403 157 3601	CERAMIC 100P J 50V		645 026 8014	R-NETWORK 10KX4 1/16W
C8028	403 157 3601	CERAMIC 100P J 50V	RB305	645 020 7822	R-NETWORK 10KX4 0.063W
C8029	403 164 0204	CERAMIC 0.1U Z 25V		645 026 8014	R-NETWORK 10KX4 1/16W
C8051	403 304 1801	ELECT 100U M 6.3V	RB306	645 020 7822	R-NETWORK 10KX4 0.063W
	403 373 7704	ELECT 100U M 6.3V		645 026 8014	R-NETWORK 10KX4 1/16W
C8052	403 164 0204	CERAMIC 0.1U Z 25V	RB307	645 020 7822	R-NETWORK 10KX4 0.063W
C8053	403 164 0204	CERAMIC 0.1U Z 25V		645 026 8014	R-NETWORK 10KX4 1/16W
C8062	403 164 0204	CERAMIC 0.1U Z 25V	RB308	645 020 7822	R-NETWORK 10KX4 0.063W
C8063	403 164 0204	CERAMIC 0.1U Z 25V		645 026 8014	R-NETWORK 10KX4 1/16W
C8072	403 164 0204	CERAMIC 0.1U Z 25V	RB309	645 020 7822	R-NETWORK 10KX4 0.063W
C8073	403 164 0204	CERAMIC 0.1U Z 25V		645 026 8014	R-NETWORK 10KX4 1/16W
C8082	403 164 0204	CERAMIC 0.1U Z 25V	RB310	645 020 7822	R-NETWORK 10KX4 0.063W
C8101	403 304 1801	ELECT 100U M 6.3V		645 026 8014	R-NETWORK 10KX4 1/16W
	403 373 7704	ELECT 100U M 6.3V	RB311	645 020 7822	R-NETWORK 10KX4 0.063W
C8102	403 164 0204	CERAMIC 0.1U Z 25V		645 026 8014	R-NETWORK 10KX4 1/16W
C811	403 164 0204	CERAMIC 0.1U Z 25V	RB312	645 020 7822	R-NETWORK 10KX4 0.063W
C812	403 164 0204	CERAMIC 0.1U Z 25V		645 026 8014	R-NETWORK 10KX4 1/16W
C813	403 164 0204	CERAMIC 0.1U Z 25V	RB3821	645 020 7822	R-NETWORK 10KX4 0.063W
C814	403 164 0204	CERAMIC 0.1U Z 25V		645 026 8014	R-NETWORK 10KX4 1/16W
C841	403 304 2105	ELECT 47U M 6.3V	RB411	645 037 0663	R-NETWORK 22X4 0.063W
C842	403 164 0204	CERAMIC 0.1U Z 25V		645 033 2210	R-NETWORK 22X4 1/16W
C843	403 162 4709	ELECT 10U M 16V	RB412	645 037 0663	R-NETWORK 22X4 0.063W
				645 033 2210	R-NETWORK 22X4 1/16W

Electrical Parts List

Key No.	Part No.	Description	Key No.	Part No.	Description
RB413	645 037 0663	R-NETWORK 22X4 0.063W	R1132	401 105 7503	MT-GLAZE 82K JA 1/16W
	645 033 2210	R-NETWORK 22X4 1/16W	R1133	401 105 1006	MT-GLAZE 1.2K JA 1/16W
RB414	645 037 0663	R-NETWORK 22X4 0.063W	R1134	401 105 0504	MT-GLAZE 1K JA 1/16W
	645 033 2210	R-NETWORK 22X4 1/16W	R1136	401 105 0504	MT-GLAZE 1K JA 1/16W
RB415	645 037 0663	R-NETWORK 22X4 0.063W	R1137	401 105 0405	MT-GLAZE 100 JA 1/16W
	645 033 2210	R-NETWORK 22X4 1/16W	R1139	401 105 0504	MT-GLAZE 1K JA 1/16W
RB416	645 037 0663	R-NETWORK 22X4 0.063W	R114	401 105 6506	MT-GLAZE 680 JA 1/16W
	645 033 2210	R-NETWORK 22X4 1/16W	R1141	401 105 5905	MT-GLAZE 560 JA 1/16W
RB501	645 037 3107	R-NETWORK 10X4 0.063W	R1142	401 105 1501	MT-GLAZE 1.5K JA 1/16W
	645 028 5998	R-NETWORK 10X4 1/16W	R1143	401 105 0504	MT-GLAZE 1K JA 1/16W
RB502	645 037 3107	R-NETWORK 10X4 0.063W	R1144	401 105 5905	MT-GLAZE 560 JA 1/16W
	645 028 5998	R-NETWORK 10X4 1/16W	R1145	401 105 1501	MT-GLAZE 1.5K JA 1/16W
RB503	645 037 3107	R-NETWORK 10X4 0.063W	R1146	401 105 0504	MT-GLAZE 1K JA 1/16W
	645 028 5998	R-NETWORK 10X4 1/16W	R1147	401 105 5905	MT-GLAZE 560 JA 1/16W
RB531	645 037 3107	R-NETWORK 10X4 0.063W	R1148	401 105 1501	MT-GLAZE 1.5K JA 1/16W
	645 028 5998	R-NETWORK 10X4 1/16W	R1149	401 105 0504	MT-GLAZE 1K JA 1/16W
RB532	645 037 3107	R-NETWORK 10X4 0.063W	R1151	401 105 0405	MT-GLAZE 100 JA 1/16W
	645 028 5998	R-NETWORK 10X4 1/16W	R1152	401 105 0504	MT-GLAZE 1K JA 1/16W
RB533	645 037 3107	R-NETWORK 10X4 0.063W	R1153	401 105 0405	MT-GLAZE 100 JA 1/16W
	645 028 5998	R-NETWORK 10X4 1/16W	R1154	401 105 0504	MT-GLAZE 1K JA 1/16W
RB561	645 037 3107	R-NETWORK 10X4 0.063W	R1155	401 105 0405	MT-GLAZE 100 JA 1/16W
	645 028 5998	R-NETWORK 10X4 1/16W	R1156	401 105 0504	MT-GLAZE 1K JA 1/16W
RB562	645 037 3107	R-NETWORK 10X4 0.063W	R116	401 105 3307	MT-GLAZE 2.7K JA 1/16W
	645 028 5998	R-NETWORK 10X4 1/16W	R1161	401 105 7909	MT-GLAZE 0.000 ZA 1/16W
RB563	645 037 3107	R-NETWORK 10X4 0.063W	R1162	401 105 0504	MT-GLAZE 1K JA 1/16W
	645 028 5998	R-NETWORK 10X4 1/16W	R121	401 105 7909	MT-GLAZE 0.000 ZA 1/16W
RB8001	645 037 3107	R-NETWORK 10X4 0.063W	R123	401 105 7909	MT-GLAZE 0.000 ZA 1/16W
	645 028 5998	R-NETWORK 10X4 1/16W	R1301	401 105 7909	MT-GLAZE 0.000 ZA 1/16W
RB8002	645 037 3107	R-NETWORK 10X4 0.063W	R131	401 105 0405	MT-GLAZE 100 JA 1/16W
	645 028 5998	R-NETWORK 10X4 1/16W	R1311	401 105 7909	MT-GLAZE 0.000 ZA 1/16W
RB8003	645 037 3107	R-NETWORK 10X4 0.063W	R1312	401 105 7909	MT-GLAZE 0.000 ZA 1/16W
	645 028 5998	R-NETWORK 10X4 1/16W	R1313	401 105 4106	MT-GLAZE 3.3K JA 1/16W
RB8004	645 037 3107	R-NETWORK 10X4 0.063W	R132	401 105 0504	MT-GLAZE 1K JA 1/16W
	645 028 5998	R-NETWORK 10X4 1/16W	R133	401 105 0405	MT-GLAZE 100 JA 1/16W
RB8005	645 037 3107	R-NETWORK 10X4 0.063W	R134	401 105 0504	MT-GLAZE 1K JA 1/16W
	645 028 5998	R-NETWORK 10X4 1/16W	R1341	401 105 0603	MT-GLAZE 10K JA 1/16W
RB8006	645 037 3107	R-NETWORK 10X4 0.063W	R1342	401 105 0603	MT-GLAZE 10K JA 1/16W
	645 028 5998	R-NETWORK 10X4 1/16W	R1344	401 105 0603	MT-GLAZE 10K JA 1/16W
RB8007	645 037 3107	R-NETWORK 10X4 0.063W	R1346	401 105 0603	MT-GLAZE 10K JA 1/16W
	645 028 5998	R-NETWORK 10X4 1/16W	R1352	401 105 7909	MT-GLAZE 0.000 ZA 1/16W
RB8008	645 037 3107	R-NETWORK 10X4 0.063W	R1353	401 105 0603	MT-GLAZE 10K JA 1/16W
	645 028 5998	R-NETWORK 10X4 1/16W	R1357	401 105 0603	MT-GLAZE 10K JA 1/16W
RB8011	645 037 3107	R-NETWORK 10X4 0.063W	R1362	401 113 4402	MT-GLAZE 75 JA 1/16W
	645 028 5998	R-NETWORK 10X4 1/16W	R1366	401 105 0603	MT-GLAZE 10K JA 1/16W
RB8012	645 037 3107	R-NETWORK 10X4 0.063W	R1371	401 105 2003	MT-GLAZE 1.8K JA 1/16W
	645 028 5998	R-NETWORK 10X4 1/16W	R1372	401 105 4106	MT-GLAZE 3.3K JA 1/16W
RB8013	645 037 3107	R-NETWORK 10X4 0.063W	R1373	401 105 7909	MT-GLAZE 0.000 ZA 1/16W
	645 028 5998	R-NETWORK 10X4 1/16W	R1383	401 105 7909	MT-GLAZE 0.000 ZA 1/16W
RB8014	645 037 3107	R-NETWORK 10X4 0.063W	R1384	401 105 7909	MT-GLAZE 0.000 ZA 1/16W
	645 028 5998	R-NETWORK 10X4 1/16W	R1386	401 105 7909	MT-GLAZE 0.000 ZA 1/16W
RB9801	645 021 0365	R-NETWORK 100KX4 0.063W	R1388	401 105 7909	MT-GLAZE 0.000 ZA 1/16W
	645 026 8021	R-NETWORK 100KX4 1/16W	R1389	401 105 7909	MT-GLAZE 0.000 ZA 1/16W
RB9802	645 021 0365	R-NETWORK 100KX4 0.063W	R1391	401 105 7909	MT-GLAZE 0.000 ZA 1/16W
	645 026 8021	R-NETWORK 100KX4 1/16W	R1431	401 105 2607	MT-GLAZE 22 JA 1/16W
R110	401 105 0405	MT-GLAZE 100 JA 1/16W	R1432	401 105 2607	MT-GLAZE 22 JA 1/16W
R1101	401 105 7909	MT-GLAZE 0.000 ZA 1/16W	R1433	401 105 2607	MT-GLAZE 22 JA 1/16W
R1102	401 105 6605	MT-GLAZE 6.8K JA 1/16W	R1434	401 105 2607	MT-GLAZE 22 JA 1/16W
R1103	401 105 6605	MT-GLAZE 6.8K JA 1/16W	R1435	401 105 2607	MT-GLAZE 22 JA 1/16W
R1104	401 105 4106	MT-GLAZE 3.3K JA 1/16W	R1436	401 105 2607	MT-GLAZE 22 JA 1/16W
R1105	401 105 0405	MT-GLAZE 100 JA 1/16W	R1441	401 105 7909	MT-GLAZE 0.000 ZA 1/16W
R1106	401 105 0405	MT-GLAZE 100 JA 1/16W	R1442	401 105 7909	MT-GLAZE 0.000 ZA 1/16W
R1122	401 105 7909	MT-GLAZE 0.000 ZA 1/16W	R1443	401 105 7909	MT-GLAZE 0.000 ZA 1/16W
R1123	401 105 1105	MT-GLAZE 12K JA 1/16W	R1444	401 105 7909	MT-GLAZE 0.000 ZA 1/16W
R1127	401 105 7909	MT-GLAZE 0.000 ZA 1/16W	R1445	401 105 7909	MT-GLAZE 0.000 ZA 1/16W
R1129	401 105 2805	MT-GLAZE 2.2K JA 1/16W	R1446	401 105 7909	MT-GLAZE 0.000 ZA 1/16W
R113	401 105 0504	MT-GLAZE 1K JA 1/16W	R1502	401 105 7909	MT-GLAZE 0.000 ZA 1/16W
R1131	401 105 3406	MT-GLAZE 27K JA 1/16W	R1503	401 105 7909	MT-GLAZE 0.000 ZA 1/16W

Electrical Parts List

Key No.	Part No.	Description	Key No.	Part No.	Description
R152	401 105 8104	MT-GLAZE 56K JA 1/16W	R209	401 105 2003	MT-GLAZE 1.8K JA 1/16W
R153	401 105 3406	MT-GLAZE 27K JA 1/16W	R2101	401 105 7909	MT-GLAZE 0.000 ZA 1/16W
R1532	401 105 7909	MT-GLAZE 0.000 ZA 1/16W	R2102	401 105 7909	MT-GLAZE 0.000 ZA 1/16W
R1533	401 105 7909	MT-GLAZE 0.000 ZA 1/16W	R2103	401 105 3901	MT-GLAZE 33 JA 1/16W
R154	401 105 0504	MT-GLAZE 1K JA 1/16W	R2104	401 105 1907	MT-GLAZE 180 JA 1/16W
R156	401 105 2003	MT-GLAZE 1.8K JA 1/16W	R2105	401 105 4106	MT-GLAZE 3.3K JA 1/16W
R1562	401 105 7909	MT-GLAZE 0.000 ZA 1/16W	R2106	401 105 0306	MT-GLAZE 10 JA 1/16W
R1563	401 105 7909	MT-GLAZE 0.000 ZA 1/16W	R2107	401 105 3901	MT-GLAZE 33 JA 1/16W
R157	401 105 6506	MT-GLAZE 680 JA 1/16W	R2108	401 105 1907	MT-GLAZE 180 JA 1/16W
R158	401 105 3307	MT-GLAZE 2.7K JA 1/16W	R2109	401 105 0306	MT-GLAZE 10 JA 1/16W
R1581	401 105 0405	MT-GLAZE 100 JA 1/16W	R2110	401 105 4106	MT-GLAZE 3.3K JA 1/16W
R1582	401 105 0405	MT-GLAZE 100 JA 1/16W	R2111	401 105 4106	MT-GLAZE 3.3K JA 1/16W
R1583	401 105 0603	MT-GLAZE 10K JA 1/16W	R2112	401 105 2805	MT-GLAZE 2.2K JA 1/16W
R1584	401 105 0603	MT-GLAZE 10K JA 1/16W	R2113	401 105 4106	MT-GLAZE 3.3K JA 1/16W
R1586	401 105 0603	MT-GLAZE 10K JA 1/16W	R2117	401 105 7909	MT-GLAZE 0.000 ZA 1/16W
R1587	401 105 0405	MT-GLAZE 100 JA 1/16W	R2118	401 105 7909	MT-GLAZE 0.000 ZA 1/16W
R1588	401 105 0405	MT-GLAZE 100 JA 1/16W	R2119	401 105 0405	MT-GLAZE 100 JA 1/16W
R1589	401 105 0405	MT-GLAZE 100 JA 1/16W	R2121	401 105 0405	MT-GLAZE 100 JA 1/16W
R159	401 105 0504	MT-GLAZE 1K JA 1/16W	R2123	401 105 5301	MT-GLAZE 4.7K JA 1/16W
R1591	401 105 7404	MT-GLAZE 8.2K JA 1/16W	R2124	401 105 8104	MT-GLAZE 56K JA 1/16W
R1592	401 105 7404	MT-GLAZE 8.2K JA 1/16W	R2125	401 105 7909	MT-GLAZE 0.000 ZA 1/16W
R1593	401 105 7404	MT-GLAZE 8.2K JA 1/16W	R2126	401 105 5905	MT-GLAZE 560 JA 1/16W
R171	401 105 7503	MT-GLAZE 82K JA 1/16W	R2128	401 105 7909	MT-GLAZE 0.000 ZA 1/16W
R172	401 105 3406	MT-GLAZE 27K JA 1/16W	R213	401 105 7909	MT-GLAZE 0.000 ZA 1/16W
R173	401 105 0504	MT-GLAZE 1K JA 1/16W	R2131	401 105 5301	MT-GLAZE 4.7K JA 1/16W
R174	401 105 2003	MT-GLAZE 1.8K JA 1/16W	R214	401 105 7909	MT-GLAZE 0.000 ZA 1/16W
R176	401 105 6506	MT-GLAZE 680 JA 1/16W	R216	401 113 6604	MT-GLAZE 7.5K JA 1/16W
R177	401 105 3307	MT-GLAZE 2.7K JA 1/16W	R2161	401 105 0405	MT-GLAZE 100 JA 1/16W
R178	401 105 0504	MT-GLAZE 1K JA 1/16W	R2162	401 105 0405	MT-GLAZE 100 JA 1/16W
R1801	401 105 0405	MT-GLAZE 100 JA 1/16W	R217	401 105 7909	MT-GLAZE 0.000 ZA 1/16W
R1802	401 105 0405	MT-GLAZE 100 JA 1/16W	R218	401 105 0603	MT-GLAZE 10K JA 1/16W
R1816	401 105 5301	MT-GLAZE 4.7K JA 1/16W	R2181	401 105 0405	MT-GLAZE 100 JA 1/16W
R1817	401 105 5301	MT-GLAZE 4.7K JA 1/16W	R2182	401 105 0405	MT-GLAZE 100 JA 1/16W
R1818	401 105 5301	MT-GLAZE 4.7K JA 1/16W	R221	401 105 5103	MT-GLAZE 47 JA 1/16W
R1819	401 105 5301	MT-GLAZE 4.7K JA 1/16W	R222	401 105 0405	MT-GLAZE 100 JA 1/16W
R1831	401 105 0405	MT-GLAZE 100 JA 1/16W	R2501	401 148 6006	MT-GLAZE 2.2 JA 1/16W
R1832	401 105 0405	MT-GLAZE 100 JA 1/16W	R2502	401 148 6006	MT-GLAZE 2.2 JA 1/16W
R1833	401 105 7909	MT-GLAZE 0.000 ZA 1/16W	R2506	401 105 2805	MT-GLAZE 2.2K JA 1/16W
R1834	401 105 7909	MT-GLAZE 0.000 ZA 1/16W	R2507	401 105 4601	MT-GLAZE 3.9K JA 1/16W
R1836	401 105 0405	MT-GLAZE 100 JA 1/16W	R2508	401 105 4700	MT-GLAZE 39K JA 1/16W
R1837	401 105 0405	MT-GLAZE 100 JA 1/16W	R2509	401 105 0504	MT-GLAZE 1K JA 1/16W
R1851	401 105 0405	MT-GLAZE 100 JA 1/16W	R251	401 105 2003	MT-GLAZE 1.8K JA 1/16W
R1852	401 105 0405	MT-GLAZE 100 JA 1/16W	R2511	401 148 6006	MT-GLAZE 2.2 JA 1/16W
R1853	401 105 0603	MT-GLAZE 10K JA 1/16W	R2512	401 148 6006	MT-GLAZE 2.2 JA 1/16W
R1855	401 105 0603	MT-GLAZE 10K JA 1/16W	R2516	401 105 2805	MT-GLAZE 2.2K JA 1/16W
R1861	401 105 0405	MT-GLAZE 100 JA 1/16W	R2517	401 105 4601	MT-GLAZE 3.9K JA 1/16W
R1862	401 105 7909	MT-GLAZE 0.000 ZA 1/16W	R2518	401 105 4700	MT-GLAZE 39K JA 1/16W
R1863	401 105 7909	MT-GLAZE 0.000 ZA 1/16W	R2519	401 105 0504	MT-GLAZE 1K JA 1/16W
R1864	401 105 7909	MT-GLAZE 0.000 ZA 1/16W	R252	401 105 4106	MT-GLAZE 3.3K JA 1/16W
R1876	401 105 0405	MT-GLAZE 100 JA 1/16W	R2521	401 148 6006	MT-GLAZE 2.2 JA 1/16W
R1877	401 105 0405	MT-GLAZE 100 JA 1/16W	R2522	401 148 6006	MT-GLAZE 2.2 JA 1/16W
R1878	401 105 0405	MT-GLAZE 100 JA 1/16W	R2526	401 105 2805	MT-GLAZE 2.2K JA 1/16W
R1879	401 105 0504	MT-GLAZE 1K JA 1/16W	R2527	401 105 4601	MT-GLAZE 3.9K JA 1/16W
R1881	401 105 0405	MT-GLAZE 100 JA 1/16W	R2528	401 105 4700	MT-GLAZE 39K JA 1/16W
R1882	401 105 0405	MT-GLAZE 100 JA 1/16W	R2529	401 105 0504	MT-GLAZE 1K JA 1/16W
R1883	401 105 0405	MT-GLAZE 100 JA 1/16W	R253	401 105 0405	MT-GLAZE 100 JA 1/16W
R1884	401 105 7909	MT-GLAZE 0.000 ZA 1/16W	R2533	401 105 7909	MT-GLAZE 0.000 ZA 1/16W
R1888	401 105 7909	MT-GLAZE 0.000 ZA 1/16W	R2534	401 105 4205	MT-GLAZE 33K JA 1/16W
R1889	401 105 0504	MT-GLAZE 1K JA 1/16W	R2536	401 105 0603	MT-GLAZE 10K JA 1/16W
R1891	401 105 0504	MT-GLAZE 1K JA 1/16W	R2537	401 105 0702	MT-GLAZE 100K JA 1/16W
R1892	401 105 0603	MT-GLAZE 10K JA 1/16W	R2538	401 105 0702	MT-GLAZE 100K JA 1/16W
R1896	401 105 7909	MT-GLAZE 0.000 ZA 1/16W	R2539	401 105 0702	MT-GLAZE 100K JA 1/16W
R201	401 105 7909	MT-GLAZE 0.000 ZA 1/16W	R2541	401 105 7909	MT-GLAZE 0.000 ZA 1/16W
R204	401 105 7909	MT-GLAZE 0.000 ZA 1/16W	R2542	401 105 7909	MT-GLAZE 0.000 ZA 1/16W
R206	401 105 7909	MT-GLAZE 0.000 ZA 1/16W	R2543	401 105 7909	MT-GLAZE 0.000 ZA 1/16W
R207	401 105 7909	MT-GLAZE 0.000 ZA 1/16W	R2544	401 105 7909	MT-GLAZE 0.000 ZA 1/16W
R208	401 105 2003	MT-GLAZE 1.8K JA 1/16W	R2545	401 105 7909	MT-GLAZE 0.000 ZA 1/16W

Electrical Parts List

Key No.	Part No.	Description	Key No.	Part No.	Description
R2546	401 105 7909	MT-GLAZE 0.000 ZA 1/16W	R2891	401 105 0603	MT-GLAZE 10K JA 1/16W
R2547	401 105 7909	MT-GLAZE 0.000 ZA 1/16W	R301	401 105 0603	MT-GLAZE 10K JA 1/16W
R2548	401 105 7909	MT-GLAZE 0.000 ZA 1/16W	R302	401 105 7909	MT-GLAZE 0.000 ZA 1/16W
R2549	401 105 7909	MT-GLAZE 0.000 ZA 1/16W	R306	401 105 0603	MT-GLAZE 10K JA 1/16W
R2550	401 105 7909	MT-GLAZE 0.000 ZA 1/16W	R307	401 105 7909	MT-GLAZE 0.000 ZA 1/16W
R2551	401 105 7909	MT-GLAZE 0.000 ZA 1/16W	R308	401 105 7909	MT-GLAZE 0.000 ZA 1/16W
R2552	401 105 7909	MT-GLAZE 0.000 ZA 1/16W	R3100	401 105 7305	MT-GLAZE 820 JA 1/16W
R2553	401 105 7909	MT-GLAZE 0.000 ZA 1/16W	R3101	401 105 6001	MT-GLAZE 5.6K JA 1/16W
R2554	401 105 7909	MT-GLAZE 0.000 ZA 1/16W	R3102	401 105 6001	MT-GLAZE 5.6K JA 1/16W
R2555	401 105 7909	MT-GLAZE 0.000 ZA 1/16W	R3103	401 105 7305	MT-GLAZE 820 JA 1/16W
R2556	401 105 7909	MT-GLAZE 0.000 ZA 1/16W	R3104	401 105 1006	MT-GLAZE 1.2K JA 1/16W
R2557	401 105 7909	MT-GLAZE 0.000 ZA 1/16W	R3105	401 105 1006	MT-GLAZE 1.2K JA 1/16W
R2558	401 105 7909	MT-GLAZE 0.000 ZA 1/16W	R3106	401 105 2904	MT-GLAZE 22K JA 1/16W
R2559	401 105 7909	MT-GLAZE 0.000 ZA 1/16W	R3107	401 105 6001	MT-GLAZE 5.6K JA 1/16W
R2560	401 105 7909	MT-GLAZE 0.000 ZA 1/16W	R3108	401 105 1006	MT-GLAZE 1.2K JA 1/16W
R2561	401 105 7909	MT-GLAZE 0.000 ZA 1/16W	R3109	401 105 7305	MT-GLAZE 820 JA 1/16W
R2562	401 105 7909	MT-GLAZE 0.000 ZA 1/16W	R3111	401 105 0504	MT-GLAZE 1K JA 1/16W
R2571	401 105 0405	MT-GLAZE 100 JA 1/16W	R3112	401 105 0504	MT-GLAZE 1K JA 1/16W
R2572	401 105 0405	MT-GLAZE 100 JA 1/16W	R3113	401 105 1907	MT-GLAZE 180 JA 1/16W
R2576	401 105 0504	MT-GLAZE 1K JA 1/16W	R3114	401 158 4108	MT-GLAZE 4.7 JA 1/16W
R2577	401 105 0504	MT-GLAZE 1K JA 1/16W	R3115	401 112 8005	MT-GLAZE 5.6 JA 1/16W
R2581	401 105 2003	MT-GLAZE 1.8K JA 1/16W	R312	401 105 0603	MT-GLAZE 10K JA 1/16W
R2584	401 105 4601	MT-GLAZE 3.9K JA 1/16W	R3121	401 105 7909	MT-GLAZE 0.000 ZA 1/16W
R2591	401 035 4108	MT-GLAZE 0.000 ZA 1/8W	R3122	401 105 3901	MT-GLAZE 33 JA 1/16W
R2806	401 105 7909	MT-GLAZE 0.000 ZA 1/16W	R3123	401 105 0504	MT-GLAZE 1K JA 1/16W
R2807	401 105 0405	MT-GLAZE 100 JA 1/16W	R3126	401 105 1402	MT-GLAZE 150 JA 1/16W
R2816	401 105 7909	MT-GLAZE 0.000 ZA 1/16W	R3127	401 105 1402	MT-GLAZE 150 JA 1/16W
R2818	401 105 7909	MT-GLAZE 0.000 ZA 1/16W	R313	401 105 7909	MT-GLAZE 0.000 ZA 1/16W
R2821	401 105 5202	MT-GLAZE 470 JA 1/16W	R3131	401 105 7909	MT-GLAZE 0.000 ZA 1/16W
R2822	401 105 5202	MT-GLAZE 470 JA 1/16W	R3132	401 105 3901	MT-GLAZE 33 JA 1/16W
R2823	401 105 5202	MT-GLAZE 470 JA 1/16W	R3133	401 105 0504	MT-GLAZE 1K JA 1/16W
R2824	401 105 0603	MT-GLAZE 10K JA 1/16W	R3136	401 105 1402	MT-GLAZE 150 JA 1/16W
R2825	401 105 0603	MT-GLAZE 10K JA 1/16W	R3137	401 105 1402	MT-GLAZE 150 JA 1/16W
R2826	401 105 0603	MT-GLAZE 10K JA 1/16W	R314	401 105 7909	MT-GLAZE 0.000 ZA 1/16W
R2841	401 105 7909	MT-GLAZE 0.000 ZA 1/16W	R3141	401 105 7909	MT-GLAZE 0.000 ZA 1/16W
R2842	401 105 7909	MT-GLAZE 0.000 ZA 1/16W	R3142	401 105 3901	MT-GLAZE 33 JA 1/16W
R2843	401 105 7909	MT-GLAZE 0.000 ZA 1/16W	R3143	401 105 0504	MT-GLAZE 1K JA 1/16W
R2844	401 105 7909	MT-GLAZE 0.000 ZA 1/16W	R3146	401 105 1402	MT-GLAZE 150 JA 1/16W
R2851	401 105 0504	MT-GLAZE 1K JA 1/16W	R3147	401 105 1402	MT-GLAZE 150 JA 1/16W
R2852	401 105 0504	MT-GLAZE 1K JA 1/16W	R316	401 105 0603	MT-GLAZE 10K JA 1/16W
R2853	401 105 2003	MT-GLAZE 1.8K JA 1/16W	R3163	401 105 0405	MT-GLAZE 100 JA 1/16W
R2854	401 105 5301	MT-GLAZE 4.7K JA 1/16W	R3164	401 105 0603	MT-GLAZE 10K JA 1/16W
R2856	401 105 0504	MT-GLAZE 1K JA 1/16W	R3165	401 105 3307	MT-GLAZE 2.7K JA 1/16W
R2857	401 105 0504	MT-GLAZE 1K JA 1/16W	R3168	401 105 0504	MT-GLAZE 1K JA 1/16W
R2858	401 105 5301	MT-GLAZE 4.7K JA 1/16W	R3169	401 105 0504	MT-GLAZE 1K JA 1/16W
R2861	401 105 0504	MT-GLAZE 1K JA 1/16W	R317	401 105 0603	MT-GLAZE 10K JA 1/16W
R2862	401 105 5301	MT-GLAZE 4.7K JA 1/16W	R3171	401 105 0504	MT-GLAZE 1K JA 1/16W
R2866	401 105 4502	MT-GLAZE 390 JA 1/16W	R3172	401 105 3307	MT-GLAZE 2.7K JA 1/16W
R2867	401 105 4502	MT-GLAZE 390 JA 1/16W	R3173	401 105 0504	MT-GLAZE 1K JA 1/16W
R2868	401 105 5301	MT-GLAZE 4.7K JA 1/16W	R3174	401 105 5301	MT-GLAZE 4.7K JA 1/16W
(ME3-XU4500, PLC-XU45)					
R2872	401 105 7909	MT-GLAZE 0.000 ZA 1/16W	R3176	401 105 0504	MT-GLAZE 1K JA 1/16W
R2874	401 105 1006	MT-GLAZE 1.2K JA 1/16W	R3177	401 105 7909	MT-GLAZE 0.000 ZA 1/16W
R2898	401 105 7909	MT-GLAZE 0.000 ZA 1/16W	R318	401 105 7909	MT-GLAZE 0.000 ZA 1/16W
R2899	401 105 1006	MT-GLAZE 1.2K JA 1/16W	R3181	401 105 0603	MT-GLAZE 10K JA 1/16W
R2877	401 105 2904	MT-GLAZE 22K JA 1/16W	R3182	401 105 0603	MT-GLAZE 10K JA 1/16W
(MF3-XU4600, PLC-XU46)					
R2871	401 105 7909	MT-GLAZE 0.000 ZA 1/16W	R3184	401 105 7909	MT-GLAZE 0.000 ZA 1/16W
R2875	401 105 4502	MT-GLAZE 390 JA 1/16W	R3185	401 105 0504	MT-GLAZE 1K JA 1/16W
R2896	401 105 7909	MT-GLAZE 0.000 ZA 1/16W	R319	401 105 7909	MT-GLAZE 0.000 ZA 1/16W
R2897	401 105 4502	MT-GLAZE 390 JA 1/16W	R322	401 105 7909	MT-GLAZE 0.000 ZA 1/16W
R2881	401 105 7909	MT-GLAZE 0.000 ZA 1/16W	R323	401 105 7909	MT-GLAZE 0.000 ZA 1/16W
R2882	401 105 7909	MT-GLAZE 0.000 ZA 1/16W	R324	401 105 0603	MT-GLAZE 10K JA 1/16W
R2883	401 105 7909	MT-GLAZE 0.000 ZA 1/16W	R328	401 105 7909	MT-GLAZE 0.000 ZA 1/16W
R2884	401 105 7909	MT-GLAZE 0.000 ZA 1/16W	R329	401 105 7909	MT-GLAZE 0.000 ZA 1/16W
R2887	401 105 0603	MT-GLAZE 10K JA 1/16W	R331	401 105 7909	MT-GLAZE 0.000 ZA 1/16W
R2889	401 105 7909	MT-GLAZE 0.000 ZA 1/16W	R332	401 105 2607	MT-GLAZE 22 JA 1/16W
			R333	401 105 2607	MT-GLAZE 22 JA 1/16W
			R334	401 105 2607	MT-GLAZE 22 JA 1/16W

Electrical Parts List

Key No.	Part No.	Description	Key No.	Part No.	Description
R336	401 105 7909	MT-GLAZE 0.000 ZA 1/16W	R3832	401 105 0405	MT-GLAZE 100 JA 1/16W
R338	401 105 7909	MT-GLAZE 0.000 ZA 1/16W	R3835	401 105 0504	MT-GLAZE 1K JA 1/16W
R344	401 105 7909	MT-GLAZE 0.000 ZA 1/16W	R384	401 105 0603	MT-GLAZE 10K JA 1/16W
R346	401 105 0603	MT-GLAZE 10K JA 1/16W	R3841	401 105 7909	MT-GLAZE 0.000 ZA 1/16W
R348	401 105 7909	MT-GLAZE 0.000 ZA 1/16W	R3842	401 105 0603	MT-GLAZE 10K JA 1/16W
R349	401 105 0603	MT-GLAZE 10K JA 1/16W	R3843	401 105 0603	MT-GLAZE 10K JA 1/16W
R352	401 105 7909	MT-GLAZE 0.000 ZA 1/16W	R3844	401 105 0405	MT-GLAZE 100 JA 1/16W
R3531	401 105 7909	MT-GLAZE 0.000 ZA 1/16W	R3846	401 105 0603	MT-GLAZE 10K JA 1/16W
R3532	401 105 7909	MT-GLAZE 0.000 ZA 1/16W	R3847	401 105 0603	MT-GLAZE 10K JA 1/16W
R3534	401 105 0306	MT-GLAZE 10 JA 1/16W	R3848	401 105 0603	MT-GLAZE 10K JA 1/16W
R3535	401 105 0306	MT-GLAZE 10 JA 1/16W	R387	401 105 0603	MT-GLAZE 10K JA 1/16W
R3537	401 105 0306	MT-GLAZE 10 JA 1/16W	R388	401 105 0603	MT-GLAZE 10K JA 1/16W
R3538	401 105 0306	MT-GLAZE 10 JA 1/16W	R391	401 105 0603	MT-GLAZE 10K JA 1/16W
R3539	401 105 0306	MT-GLAZE 10 JA 1/16W	R392	401 105 0603	MT-GLAZE 10K JA 1/16W
R354	401 105 0603	MT-GLAZE 10K JA 1/16W	R393	401 105 0603	MT-GLAZE 10K JA 1/16W
R3540	401 105 0306	MT-GLAZE 10 JA 1/16W	R394	401 105 0603	MT-GLAZE 10K JA 1/16W
R3541	401 105 0306	MT-GLAZE 10 JA 1/16W	R4103	401 105 5202	MT-GLAZE 470 JA 1/16W
R3543	401 105 0306	MT-GLAZE 10 JA 1/16W	R4104	401 217 5404	MT-GLAZE 47K FA 1/16W
R3544	401 105 0306	MT-GLAZE 10 JA 1/16W	R4106	401 105 8104	MT-GLAZE 56K JA 1/16W
R3545	401 105 0306	MT-GLAZE 10 JA 1/16W	R4107	401 105 8104	MT-GLAZE 56K JA 1/16W
R3546	401 105 0306	MT-GLAZE 10 JA 1/16W	R4108	401 105 0405	MT-GLAZE 100 JA 1/16W
R3547	401 105 7909	MT-GLAZE 0.000 ZA 1/16W	R4109	401 105 0405	MT-GLAZE 100 JA 1/16W
R3552	401 105 2805	MT-GLAZE 2.2K JA 1/16W	R411	401 105 2607	MT-GLAZE 22 JA 1/16W
R3553	401 105 0504	MT-GLAZE 1K JA 1/16W	R4111	401 105 0405	MT-GLAZE 100 JA 1/16W
R3556	401 105 7909	MT-GLAZE 0.000 ZA 1/16W	R4112	401 105 0603	MT-GLAZE 10K JA 1/16W
R3558	401 105 7909	MT-GLAZE 0.000 ZA 1/16W	R4113	401 105 0603	MT-GLAZE 10K JA 1/16W
R356	401 105 0603	MT-GLAZE 10K JA 1/16W	R4114	401 105 0603	MT-GLAZE 10K JA 1/16W
R3561	401 105 7909	MT-GLAZE 0.000 ZA 1/16W	R4116	401 105 6001	MT-GLAZE 5.6K JA 1/16W
R3562	401 105 7909	MT-GLAZE 0.000 ZA 1/16W	R4117	401 105 2805	MT-GLAZE 2.2K JA 1/16W
R3563	401 105 0306	MT-GLAZE 10 JA 1/16W	R4118	401 114 0908	MT-GLAZE 3.3M JA 1/16W
R3564	401 105 0306	MT-GLAZE 10 JA 1/16W	R4119	401 105 0603	MT-GLAZE 10K JA 1/16W
R3565	401 105 0306	MT-GLAZE 10 JA 1/16W	R412	401 105 2607	MT-GLAZE 22 JA 1/16W
R3567	401 105 0306	MT-GLAZE 10 JA 1/16W	R4121	401 105 0603	MT-GLAZE 10K JA 1/16W
R3568	401 105 0306	MT-GLAZE 10 JA 1/16W	R4123	401 105 7909	MT-GLAZE 0.000 ZA 1/16W
R3569	401 105 0306	MT-GLAZE 10 JA 1/16W	R4124	401 105 7909	MT-GLAZE 0.000 ZA 1/16W
R3570	401 105 0306	MT-GLAZE 10 JA 1/16W	R4127	401 105 7909	MT-GLAZE 0.000 ZA 1/16W
R3571	401 105 0306	MT-GLAZE 10 JA 1/16W	R4128	401 105 0405	MT-GLAZE 100 JA 1/16W
R3573	401 105 0306	MT-GLAZE 10 JA 1/16W	R4129	401 105 0405	MT-GLAZE 100 JA 1/16W
R3574	401 105 0306	MT-GLAZE 10 JA 1/16W	R413	401 105 2607	MT-GLAZE 22 JA 1/16W
R3575	401 105 0306	MT-GLAZE 10 JA 1/16W	R4131	401 105 0405	MT-GLAZE 100 JA 1/16W
R3576	401 105 0306	MT-GLAZE 10 JA 1/16W	R4133	401 105 7909	MT-GLAZE 0.000 ZA 1/16W
R3577	401 105 7909	MT-GLAZE 0.000 ZA 1/16W	R4134	401 105 0405	MT-GLAZE 100 JA 1/16W
R358	401 105 0603	MT-GLAZE 10K JA 1/16W	R4136	401 105 0405	MT-GLAZE 100 JA 1/16W
R3581	401 105 2805	MT-GLAZE 2.2K JA 1/16W	R4137	401 105 0405	MT-GLAZE 100 JA 1/16W
R3582	401 105 0504	MT-GLAZE 1K JA 1/16W	R4138	401 105 0405	MT-GLAZE 100 JA 1/16W
R359	401 105 0603	MT-GLAZE 10K JA 1/16W	R4139	401 217 4100	MT-GLAZE 22K FA 1/16W
R3591	401 105 1501	MT-GLAZE 1.5K JA 1/16W	R414	401 105 2607	MT-GLAZE 22 JA 1/16W
R3592	401 105 5301	MT-GLAZE 4.7K JA 1/16W	R415	401 105 2607	MT-GLAZE 22 JA 1/16W
R3593	401 105 5301	MT-GLAZE 4.7K JA 1/16W	R416	401 105 2607	MT-GLAZE 22 JA 1/16W
R3594	401 105 0603	MT-GLAZE 10K JA 1/16W	R4174	401 105 7909	MT-GLAZE 0.000 ZA 1/16W
R361	401 105 7909	MT-GLAZE 0.000 ZA 1/16W	R4176	401 105 0405	MT-GLAZE 100 JA 1/16W
R362	401 105 0603	MT-GLAZE 10K JA 1/16W	R4177	401 105 0504	MT-GLAZE 1K JA 1/16W
R364	401 105 2003	MT-GLAZE 1.8K JA 1/16W	R4178	401 105 2805	MT-GLAZE 2.2K JA 1/16W
R366	401 105 2003	MT-GLAZE 1.8K JA 1/16W	R4179	401 105 1006	MT-GLAZE 1.2K JA 1/16W
R368	401 105 7909	MT-GLAZE 0.000 ZA 1/16W	R4181	401 105 0405	MT-GLAZE 100 JA 1/16W
R371	401 105 7909	MT-GLAZE 0.000 ZA 1/16W	R4182	401 105 3000	MT-GLAZE 220K JA 1/16W
R3801	401 105 0405	MT-GLAZE 100 JA 1/16W	R4183	401 105 7909	MT-GLAZE 0.000 ZA 1/16W
R3802	401 105 7909	MT-GLAZE 0.000 ZA 1/16W	R420	401 105 2003	MT-GLAZE 1.8K JA 1/16W
R3803	401 105 0603	MT-GLAZE 10K JA 1/16W	R422	401 105 4106	MT-GLAZE 3.3K JA 1/16W
R3804	401 105 0405	MT-GLAZE 100 JA 1/16W	R423	401 105 3901	MT-GLAZE 33 JA 1/16W
R3806	401 105 0405	MT-GLAZE 100 JA 1/16W	R424	401 105 3901	MT-GLAZE 33 JA 1/16W
R381	401 105 0603	MT-GLAZE 10K JA 1/16W	R426	401 105 3901	MT-GLAZE 33 JA 1/16W
R3821	401 105 0603	MT-GLAZE 10K JA 1/16W	R427	401 105 3901	MT-GLAZE 33 JA 1/16W
R3822	401 105 4205	MT-GLAZE 33K JA 1/16W	R428	401 105 3901	MT-GLAZE 33 JA 1/16W
R3823	401 105 7909	MT-GLAZE 0.000 ZA 1/16W	R429	401 105 3901	MT-GLAZE 33 JA 1/16W
R383	401 105 7909	MT-GLAZE 0.000 ZA 1/16W	R431	401 105 3901	MT-GLAZE 33 JA 1/16W
R3831	401 105 0405	MT-GLAZE 100 JA 1/16W	R432	401 105 3901	MT-GLAZE 33 JA 1/16W

Electrical Parts List

Key No.	Part No.	Description	Key No.	Part No.	Description
R433	401 105 3901	MT-GLAZE 33 JA 1/16W	R5256	401 105 0405	MT-GLAZE 100 JA 1/16W
R434	401 105 3901	MT-GLAZE 33 JA 1/16W	R5261	401 105 0504	MT-GLAZE 1K JA 1/16W
R436	401 105 3901	MT-GLAZE 33 JA 1/16W	R5262	401 105 0504	MT-GLAZE 1K JA 1/16W
R437	401 105 3901	MT-GLAZE 33 JA 1/16W	R5263	401 105 0504	MT-GLAZE 1K JA 1/16W
R438	401 105 3901	MT-GLAZE 33 JA 1/16W	R5264	401 105 7909	MT-GLAZE 0.000 ZA 1/16W
R439	401 105 3901	MT-GLAZE 33 JA 1/16W	R5265	401 105 7909	MT-GLAZE 0.000 ZA 1/16W
R441	401 105 3901	MT-GLAZE 33 JA 1/16W	R5266	401 105 7909	MT-GLAZE 0.000 ZA 1/16W
R442	401 105 3901	MT-GLAZE 33 JA 1/16W	R5268	401 105 0405	MT-GLAZE 100 JA 1/16W
R443	401 105 3901	MT-GLAZE 33 JA 1/16W	R5269	401 105 7909	MT-GLAZE 0.000 ZA 1/16W
R444	401 105 3901	MT-GLAZE 33 JA 1/16W	R5270	401 105 7909	MT-GLAZE 0.000 ZA 1/16W
R446	401 105 3901	MT-GLAZE 33 JA 1/16W	R5271	401 105 1402	MT-GLAZE 150 JA 1/16W
R447	401 105 3901	MT-GLAZE 33 JA 1/16W	R5274	401 105 3901	MT-GLAZE 33 JA 1/16W
R448	401 105 3901	MT-GLAZE 33 JA 1/16W	R5276	401 105 0504	MT-GLAZE 1K JA 1/16W
R449	401 105 3901	MT-GLAZE 33 JA 1/16W	R5277	401 105 7404	MT-GLAZE 8.2K JA 1/16W
R451	401 105 3901	MT-GLAZE 33 JA 1/16W	R5278	401 105 5103	MT-GLAZE 47 JA 1/16W
R457	401 105 3901	MT-GLAZE 33 JA 1/16W	R5280	401 105 7909	MT-GLAZE 0.000 ZA 1/16W
R458	401 105 3901	MT-GLAZE 33 JA 1/16W	R5281	401 105 1402	MT-GLAZE 150 JA 1/16W
R459	401 105 3901	MT-GLAZE 33 JA 1/16W	R5284	401 105 3901	MT-GLAZE 33 JA 1/16W
R461	401 105 7909	MT-GLAZE 0.000 ZA 1/16W	R5286	401 105 0504	MT-GLAZE 1K JA 1/16W
R462	401 105 7909	MT-GLAZE 0.000 ZA 1/16W	R5287	401 105 7404	MT-GLAZE 8.2K JA 1/16W
R463	401 105 7909	MT-GLAZE 0.000 ZA 1/16W	R5288	401 105 5103	MT-GLAZE 47 JA 1/16W
R464	401 105 0603	MT-GLAZE 10K JA 1/16W	R5290	401 105 7909	MT-GLAZE 0.000 ZA 1/16W
R466	401 105 7909	MT-GLAZE 0.000 ZA 1/16W	R5291	401 105 1402	MT-GLAZE 150 JA 1/16W
R467	401 105 7909	MT-GLAZE 0.000 ZA 1/16W	R5294	401 105 3901	MT-GLAZE 33 JA 1/16W
R468	401 105 7909	MT-GLAZE 0.000 ZA 1/16W	R5296	401 105 0504	MT-GLAZE 1K JA 1/16W
R469	401 105 7909	MT-GLAZE 0.000 ZA 1/16W	R5297	401 105 7404	MT-GLAZE 8.2K JA 1/16W
R471	401 105 7909	MT-GLAZE 0.000 ZA 1/16W	R5298	401 105 5103	MT-GLAZE 47 JA 1/16W
R472	401 105 7909	MT-GLAZE 0.000 ZA 1/16W	R531	401 105 7909	MT-GLAZE 0.000 ZA 1/16W
R473	401 105 7909	MT-GLAZE 0.000 ZA 1/16W	R534	401 105 7909	MT-GLAZE 0.000 ZA 1/16W
R501	401 105 7909	MT-GLAZE 0.000 ZA 1/16W	R551	401 105 6001	MT-GLAZE 5.6K JA 1/16W
R504	401 105 7909	MT-GLAZE 0.000 ZA 1/16W	R553	401 113 6406	MT-GLAZE 5.1K JA 1/16W
R5201	401 105 7909	MT-GLAZE 0.000 ZA 1/16W	R554	401 105 7404	MT-GLAZE 8.2K JA 1/16W
R5202	401 105 7909	MT-GLAZE 0.000 ZA 1/16W	R561	401 105 7909	MT-GLAZE 0.000 ZA 1/16W
R5203	401 105 7909	MT-GLAZE 0.000 ZA 1/16W	R564	401 105 7909	MT-GLAZE 0.000 ZA 1/16W
R5204	401 105 7909	MT-GLAZE 0.000 ZA 1/16W	R581	401 105 6001	MT-GLAZE 5.6K JA 1/16W
R5205	401 105 7909	MT-GLAZE 0.000 ZA 1/16W	R583	401 113 6406	MT-GLAZE 5.1K JA 1/16W
R5208	401 105 0405	MT-GLAZE 100 JA 1/16W	R584	401 105 7404	MT-GLAZE 8.2K JA 1/16W
R521	401 105 6001	MT-GLAZE 5.6K JA 1/16W	R6102	401 105 7909	MT-GLAZE 0.000 ZA 1/16W
R5210	401 105 7909	MT-GLAZE 0.000 ZA 1/16W	R6104	401 105 7909	MT-GLAZE 0.000 ZA 1/16W
R5211	401 105 7909	MT-GLAZE 0.000 ZA 1/16W	R6106	401 105 7909	MT-GLAZE 0.000 ZA 1/16W
R5212	401 105 7909	MT-GLAZE 0.000 ZA 1/16W	R6122	401 105 7909	MT-GLAZE 0.000 ZA 1/16W
R5216	401 105 7909	MT-GLAZE 0.000 ZA 1/16W	R6123	401 105 0405	MT-GLAZE 100 JA 1/16W
R5217	401 105 7909	MT-GLAZE 0.000 ZA 1/16W	R6126	401 105 0702	MT-GLAZE 100K JA 1/16W
R5218	401 105 7909	MT-GLAZE 0.000 ZA 1/16W	R6127	401 105 0702	MT-GLAZE 100K JA 1/16W
R5221	401 113 4402	MT-GLAZE 75 JA 1/16W	R6128	401 105 0702	MT-GLAZE 100K JA 1/16W
R5222	401 105 0900	MT-GLAZE 120 JA 1/16W	R6129	401 105 2102	MT-GLAZE 18K JA 1/16W
R5223	401 113 4402	MT-GLAZE 75 JA 1/16W	R6130	401 105 1600	MT-GLAZE 15K JA 1/16W
R5224	401 105 0900	MT-GLAZE 120 JA 1/16W	R6131	401 105 1105	MT-GLAZE 12K JA 1/16W
R5225	401 113 4402	MT-GLAZE 75 JA 1/16W	R6133	401 105 0405	MT-GLAZE 100 JA 1/16W
R5226	401 105 0900	MT-GLAZE 120 JA 1/16W	R6136	401 105 7909	MT-GLAZE 0.000 ZA 1/16W
R523	401 113 6406	MT-GLAZE 5.1K JA 1/16W	R6137	401 105 0603	MT-GLAZE 10K JA 1/16W
R5231	401 105 0405	MT-GLAZE 100 JA 1/16W	R6138	401 105 0504	MT-GLAZE 1K JA 1/16W
R5232	401 105 0603	MT-GLAZE 10K JA 1/16W	R6142	401 105 7909	MT-GLAZE 0.000 ZA 1/16W
R5233	401 105 0405	MT-GLAZE 100 JA 1/16W	R6143	401 105 0405	MT-GLAZE 100 JA 1/16W
R5234	401 105 0603	MT-GLAZE 10K JA 1/16W	R6148	401 105 0405	MT-GLAZE 100 JA 1/16W
R5235	401 105 0405	MT-GLAZE 100 JA 1/16W	R6149	401 105 1105	MT-GLAZE 12K JA 1/16W
R5236	401 105 0603	MT-GLAZE 10K JA 1/16W	R6151	401 105 1105	MT-GLAZE 12K JA 1/16W
R524	401 105 7404	MT-GLAZE 8.2K JA 1/16W	R6153	401 105 0405	MT-GLAZE 100 JA 1/16W
R5241	401 105 0306	MT-GLAZE 10 JA 1/16W	R6156	401 105 7909	MT-GLAZE 0.000 ZA 1/16W
R5243	401 105 0306	MT-GLAZE 10 JA 1/16W	R6157	401 105 7909	MT-GLAZE 0.000 ZA 1/16W
R5245	401 105 0306	MT-GLAZE 10 JA 1/16W	R6171	401 105 6001	MT-GLAZE 5.6K JA 1/16W
R5248	401 105 7909	MT-GLAZE 0.000 ZA 1/16W	R6172	401 113 5201	MT-GLAZE 360 JA 1/16W
R5251	401 105 0504	MT-GLAZE 1K JA 1/16W	R6173	401 105 0405	MT-GLAZE 100 JA 1/16W
R5252	401 105 0504	MT-GLAZE 1K JA 1/16W	R6174	401 105 0405	MT-GLAZE 100 JA 1/16W
R5253	401 105 0504	MT-GLAZE 1K JA 1/16W	R6176	401 105 4106	MT-GLAZE 3.3K JA 1/16W
R5254	401 105 0405	MT-GLAZE 100 JA 1/16W	R6177	401 105 0405	MT-GLAZE 100 JA 1/16W
R5255	401 105 0405	MT-GLAZE 100 JA 1/16W	R6178	401 105 0405	MT-GLAZE 100 JA 1/16W

Electrical Parts List

Key No.	Part No.	Description	Key No.	Part No.	Description
R6179	401 105 0405	MT-GLAZE 100 JA 1/16W	R8085	401 105 0405	MT-GLAZE 100 JA 1/16W
R6183	401 158 4108	MT-GLAZE 4.7 JA 1/16W	R8086	401 105 0405	MT-GLAZE 100 JA 1/16W
R6184	401 105 7909	MT-GLAZE 0.000 ZA 1/16W	R8087	401 105 0405	MT-GLAZE 100 JA 1/16W
R6187	401 105 0603	MT-GLAZE 10K JA 1/16W	R8088	401 105 0405	MT-GLAZE 100 JA 1/16W
R6188	401 105 0405	MT-GLAZE 100 JA 1/16W	R8089	401 105 0405	MT-GLAZE 100 JA 1/16W
R6189	401 105 0405	MT-GLAZE 100 JA 1/16W	R8101	401 105 5301	MT-GLAZE 4.7K JA 1/16W
R6201	401 258 9904	MT-GLAZE 10 JA 1/3W	R8102	401 105 5301	MT-GLAZE 4.7K JA 1/16W
R6206	401 105 1402	MT-GLAZE 150 JA 1/16W	R8108	401 105 0603	MT-GLAZE 10K JA 1/16W
R6207	401 105 1402	MT-GLAZE 150 JA 1/16W	R8109	401 105 0603	MT-GLAZE 10K JA 1/16W
R6208	401 105 1402	MT-GLAZE 150 JA 1/16W	R811	401 105 4106	MT-GLAZE 3.3K JA 1/16W
R6211	401 105 0504	MT-GLAZE 1K JA 1/16W	R8111	401 105 0405	MT-GLAZE 100 JA 1/16W
R6221	401 105 0504	MT-GLAZE 1K JA 1/16W	R8112	401 105 0405	MT-GLAZE 100 JA 1/16W
R6231	401 105 7909	MT-GLAZE 0.000 ZA 1/16W	R812	401 105 0603	MT-GLAZE 10K JA 1/16W
R6232	401 105 7909	MT-GLAZE 0.000 ZA 1/16W	R814	401 105 0603	MT-GLAZE 10K JA 1/16W
R6237	401 105 0405	MT-GLAZE 100 JA 1/16W	R8141	401 105 0603	MT-GLAZE 10K JA 1/16W
R6241	401 105 8005	MT-GLAZE 1M JA 1/16W	R8143	401 105 0603	MT-GLAZE 10K JA 1/16W
R6242	401 105 4601	MT-GLAZE 3.9K JA 1/16W	R817	401 105 0603	MT-GLAZE 10K JA 1/16W
R6243	401 105 7909	MT-GLAZE 0.000 ZA 1/16W	R819	401 105 6605	MT-GLAZE 6.8K JA 1/16W
R6244	401 105 7909	MT-GLAZE 0.000 ZA 1/16W	R821	401 105 0405	MT-GLAZE 100 JA 1/16W
R6251	401 105 7909	MT-GLAZE 0.000 ZA 1/16W	R822	401 105 0405	MT-GLAZE 100 JA 1/16W
R6252	401 105 7909	MT-GLAZE 0.000 ZA 1/16W	R823	401 105 0603	MT-GLAZE 10K JA 1/16W
R6253	401 105 7909	MT-GLAZE 0.000 ZA 1/16W	R826	401 105 8203	MT-GLAZE 68K JA 1/16W
R6254	401 105 7909	MT-GLAZE 0.000 ZA 1/16W	R827	401 105 0603	MT-GLAZE 10K JA 1/16W
R6271	401 105 7909	MT-GLAZE 0.000 ZA 1/16W	R828	401 105 0405	MT-GLAZE 100 JA 1/16W
R6272	401 105 7909	MT-GLAZE 0.000 ZA 1/16W	R831	401 105 0405	MT-GLAZE 100 JA 1/16W
R6273	401 105 5103	MT-GLAZE 47 JA 1/16W	R832	401 105 0405	MT-GLAZE 100 JA 1/16W
R6274	401 105 5103	MT-GLAZE 47 JA 1/16W	R834	401 105 0603	MT-GLAZE 10K JA 1/16W
R6281	401 105 7909	MT-GLAZE 0.000 ZA 1/16W	R836	401 105 0603	MT-GLAZE 10K JA 1/16W
R6283	401 105 7909	MT-GLAZE 0.000 ZA 1/16W	R841	401 105 5301	MT-GLAZE 4.7K JA 1/16W
△R6601	402 083 5109	FUSIBLE RES 5.6 JH 1/4W	R842	401 105 7909	MT-GLAZE 0.000 ZA 1/16W
△R6602	402 083 5109	FUSIBLE RES 5.6 JH 1/4W	R846	401 105 7909	MT-GLAZE 0.000 ZA 1/16W
△R6606	402 080 7007	FUSIBLE RES 1.8 JH 1/4W	R847	401 105 0603	MT-GLAZE 10K JA 1/16W
△R6607	402 080 7007	FUSIBLE RES 1.8 JH 1/4W	R848	401 105 0603	MT-GLAZE 10K JA 1/16W
△R6616	645 030 1056	PROTECTOR, IC 3.8A 72V	R851	401 105 7909	MT-GLAZE 0.000 ZA 1/16W
R6622	401 198 7701	MT-GLAZE 33 JA 1W	R856	401 105 1006	MT-GLAZE 1.2K JA 1/16W
R6623	401 198 7701	MT-GLAZE 33 JA 1W	R857	401 105 0603	MT-GLAZE 10K JA 1/16W
R6624	401 198 7701	MT-GLAZE 33 JA 1W	R858	401 105 0603	MT-GLAZE 10K JA 1/16W
R6652	401 235 6209	MT-GLAZE 2.7 JA 1W	R861	401 105 0405	MT-GLAZE 100 JA 1/16W
R6661	401 105 0405	MT-GLAZE 100 JA 1/16W	R862	401 105 0405	MT-GLAZE 100 JA 1/16W
R6671	401 105 0405	MT-GLAZE 100 JA 1/16W	R866	401 105 5301	MT-GLAZE 4.7K JA 1/16W
R6672	401 235 6209	MT-GLAZE 2.7 JA 1W	R867	401 105 7909	MT-GLAZE 0.000 ZA 1/16W
R6681	401 105 7909	MT-GLAZE 0.000 ZA 1/16W	R868	401 105 0603	MT-GLAZE 10K JA 1/16W
R8001	401 105 0603	MT-GLAZE 10K JA 1/16W	R871	401 105 0603	MT-GLAZE 10K JA 1/16W
R8002	401 105 0603	MT-GLAZE 10K JA 1/16W	R872	401 105 5301	MT-GLAZE 4.7K JA 1/16W
R8006	401 105 0603	MT-GLAZE 10K JA 1/16W	R873	401 105 5301	MT-GLAZE 4.7K JA 1/16W
R8007	401 105 0603	MT-GLAZE 10K JA 1/16W	R874	401 105 5301	MT-GLAZE 4.7K JA 1/16W
R8008	401 105 0603	MT-GLAZE 10K JA 1/16W	R876	401 105 5301	MT-GLAZE 4.7K JA 1/16W
R801	401 105 0405	MT-GLAZE 100 JA 1/16W	R877	401 105 0405	MT-GLAZE 100 JA 1/16W
R8011	401 105 0603	MT-GLAZE 10K JA 1/16W	R878	401 105 5301	MT-GLAZE 4.7K JA 1/16W
R8012	401 105 7909	MT-GLAZE 0.000 ZA 1/16W	R879	401 105 5301	MT-GLAZE 4.7K JA 1/16W
R8013	401 105 0603	MT-GLAZE 10K JA 1/16W	R881	401 105 0603	MT-GLAZE 10K JA 1/16W
R8018	401 105 7909	MT-GLAZE 0.000 ZA 1/16W	R882	401 105 0405	MT-GLAZE 100 JA 1/16W
R802	401 105 0405	MT-GLAZE 100 JA 1/16W	R884	401 105 7909	MT-GLAZE 0.000 ZA 1/16W
R8021	401 105 7909	MT-GLAZE 0.000 ZA 1/16W	(ME3-XU4500, PLC-XU45)		
R8022	401 105 0306	MT-GLAZE 10 JA 1/16W	R885	401 105 0603	MT-GLAZE 10K JA 1/16W
R8023	401 105 0306	MT-GLAZE 10 JA 1/16W	(MF3-XU4600, PLC-XU46)		
R8024	401 105 0306	MT-GLAZE 10 JA 1/16W	R880	401 105 0603	MT-GLAZE 10K JA 1/16W
R8028	401 105 4007	MT-GLAZE 330 JA 1/16W			
R8029	401 105 3109	MT-GLAZE 27 JA 1/16W	R886	401 105 7909	MT-GLAZE 0.000 ZA 1/16W
R803	401 105 0405	MT-GLAZE 100 JA 1/16W	R887	401 105 0405	MT-GLAZE 100 JA 1/16W
R804	401 105 0405	MT-GLAZE 100 JA 1/16W	R888	401 105 0603	MT-GLAZE 10K JA 1/16W
R806	401 105 0603	MT-GLAZE 10K JA 1/16W	R889	401 105 7909	MT-GLAZE 0.000 ZA 1/16W
R807	401 105 2003	MT-GLAZE 1.8K JA 1/16W	R891	401 105 5301	MT-GLAZE 4.7K JA 1/16W
R808	401 105 4106	MT-GLAZE 3.3K JA 1/16W	R892	401 105 5301	MT-GLAZE 4.7K JA 1/16W
R8081	401 105 7909	MT-GLAZE 0.000 ZA 1/16W	R893	401 105 0405	MT-GLAZE 100 JA 1/16W
R8082	401 105 7909	MT-GLAZE 0.000 ZA 1/16W	R894	401 105 0405	MT-GLAZE 100 JA 1/16W
R8083	401 105 7909	MT-GLAZE 0.000 ZA 1/16W	R895	401 105 0603	MT-GLAZE 10K JA 1/16W

Electrical Parts List

Key No.	Part No.	Description	Key No.	Part No.	Description
R896	401 105 0405	MT-GLAZE 100 JA 1/16W	D2841	407 187 8209	ZENER DIODE UDZ12B-TE-17
R899	401 105 0603	MT-GLAZE 10K JA 1/16W	D2842	407 187 8209	ZENER DIODE UDZ12B-TE-17
R9801	401 105 5400	MT-GLAZE 47K JA 1/16W	D2843	407 187 8209	ZENER DIODE UDZ12B-TE-17
R9803	401 105 1501	MT-GLAZE 1.5K JA 1/16W	D2844	407 187 8209	ZENER DIODE UDZ12B-TE-17
R9806	401 105 7909	MT-GLAZE 0.000 ZA 1/16W	D2871	407 179 0501	ZENER DIODE UDZ6.2B-TE-17
R9807	401 105 7909	MT-GLAZE 0.000 ZA 1/16W	D2872	407 179 0501	ZENER DIODE UDZ6.2B-TE-17
R9811	401 105 8005	MT-GLAZE 1M JA 1/16W	D2873	407 179 0501	ZENER DIODE UDZ6.2B-TE-17
R9812	401 105 0405	MT-GLAZE 100 JA 1/16W	D3111	407 149 0807	DIODE 1SS355-TE-17
R9813	401 105 0405	MT-GLAZE 100 JA 1/16W	D3112	407 149 0807	DIODE 1SS355-TE-17
R9814	401 105 0405	MT-GLAZE 100 JA 1/16W	D3161	407 149 0807	DIODE 1SS355-TE-17
R9816	401 105 0405	MT-GLAZE 100 JA 1/16W	D3171	407 149 0807	DIODE 1SS355-TE-17
R9822	401 105 7909	MT-GLAZE 0.000 ZA 1/16W	D3591	407 149 0807	DIODE 1SS355-TE-17
TRANSFORMER			D3801	407 149 0807	DIODE 1SS355-TE-17
T111	645 044 3626	FILTER, LP 7MHZ	D3802	407 149 0807	DIODE 1SS355-TE-17
T151	645 044 3626	FILTER, LP 7MHZ	D3821	407 179 1706	ZENER DIODE UDZ5.1B-TE-17
T171	645 044 3626	FILTER, LP 7MHZ	D3831	407 149 0807	DIODE 1SS355-TE-17
COIL			D6126	407 149 0807	DIODE 1SS355-TE-17
L1101	645 004 1990	INDUCTOR, 47U K	D6127	407 149 0807	DIODE 1SS355-TE-17
L1102	645 001 4512	INDUCTOR, 10U K	D6131	407 149 0807	DIODE 1SS355-TE-17
L1103	645 024 8665	INDUCTOR, 4.7U M	D6132	407 149 0807	DIODE 1SS355-TE-17
L1161	645 021 1799	INDUCTOR, 82U J	D6146	407 149 0807	DIODE 1SS355-TE-17
L1501	645 020 1776	INDUCTOR, 3.3U M	D6151	407 149 0807	DIODE 1SS355-TE-17
L1502	645 020 1776	INDUCTOR, 3.3U M	D6211	407 149 0807	DIODE 1SS355-TE-17
L151	645 026 1008	INDUCTOR, 3.3U M	D6212	407 149 0807	DIODE 1SS355-TE-17
L1531	645 020 1776	INDUCTOR, 3.3U M	D6601	407 149 0807	DIODE 1SS355-TE-17
L1532	645 020 1776	INDUCTOR, 3.3U M	D6602	407 149 0807	DIODE 1SS355-TE-17
L1561	645 020 1776	INDUCTOR, 3.3U M	D6606	407 149 0807	DIODE 1SS355-TE-17
L1562	645 020 1776	INDUCTOR, 3.3U M	D6611	407 149 0807	DIODE 1SS355-TE-17
L1581	645 026 1008	INDUCTOR, 3.3U M	D6621	407 149 0807	DIODE 1SS355-TE-17
L1831	645 026 1008	INDUCTOR, 3.3U M	D6631	407 149 0807	DIODE 1SS355-TE-17
L201	645 026 0988	INDUCTOR, 2.2U M	D6641	407 149 0807	DIODE 1SS355-TE-17
L202	645 026 0988	INDUCTOR, 2.2U M	D6642	407 149 0807	DIODE 1SS355-TE-17
L203	645 026 0988	INDUCTOR, 2.2U M	D6661	407 149 0807	DIODE 1SS355-TE-17
L2101	645 024 8641	INDUCTOR, 33U K	D6662	407 149 0807	DIODE 1SS355-TE-17
L2102	645 001 4512	INDUCTOR, 10U K	D801	407 149 0807	DIODE 1SS355-TE-17
L2103	645 024 8641	INDUCTOR, 33U K	D802	407 149 0807	DIODE 1SS355-TE-17
L2161	645 026 1008	INDUCTOR, 3.3U M	D8101	407 149 0807	DIODE 1SS355-TE-17
L2571	645 026 1008	INDUCTOR, 3.3U M	D8106	407 201 2701	DIODE RB051L-40-TE25
L2591	645 020 1776	INDUCTOR, 3.3U M	D856	407 149 0807	DIODE 1SS355-TE-17
L3531	645 020 1776	INDUCTOR, 3.3U M	D857	407 149 0807	DIODE 1SS355-TE-17
L3561	645 020 1776	INDUCTOR, 3.3U M	MISCELLANEOUS		
L3591	401 035 4306	MT-GLAZE 10 JA 1/8W	X1101	645 047 1568	OSC, CRYSTAL 16.200MHZ
L501	645 020 1776	INDUCTOR, 3.3U M	X1351	645 047 6587	OSC, CRYSTAL 26.000MHZ
L502	645 020 1776	INDUCTOR, 3.3U M	X1361	645 047 6846	OSC, CRYSTAL 24.000MHZ
L5201	401 035 4108	MT-GLAZE 0.000 ZA 1/8W	X3821	645 021 1218	OSC, CERAMIC 8.00MHZ
L5202	645 020 1776	INDUCTOR, 3.3U M		645 037 5187	OSC, CERAMIC 8.00MHZ
L531	645 020 1776	INDUCTOR, 3.3U M	X3841	645 021 1218	OSC, CERAMIC 8.00MHZ
L532	645 020 1776	INDUCTOR, 3.3U M		645 037 5187	OSC, CERAMIC 8.00MHZ
L561	645 020 1776	INDUCTOR, 3.3U M	X6171	645 053 7677	OSC, CERAMIC 503.0KHZ
L562	645 020 1776	INDUCTOR, 3.3U M	X851	645 030 5436	OSC, CRYSTAL 12.288MHZ
L6601	645 020 1776	INDUCTOR, 3.3U M	X9811	645 035 8906	OSC, CRYSTAL 48MHZ
L8001	645 026 0988	INDUCTOR, 2.2U M	TEMP BOARD		
L8002	645 026 0988	INDUCTOR, 2.2U M	610 304 8932 ASSY,PWB,TEMP ME3A		
L8003	645 026 0988	INDUCTOR, 2.2U M	INTEGRATED CIRCUIT		
L8004	645 026 0988	INDUCTOR, 2.2U M	IC4881	409 481 8602	IC LM76CHMX-5
L8051	645 026 0988	INDUCTOR, 2.2U M	CAPACITOR		
L9811	645 021 1645	INDUCTOR, 2.2U J	C4881	403 205 7803	TA-SOLID 2.2U M 16V
DIODE			C4882	403 164 0204	CERAMIC 0.1U Z 25V
D1171	407 149 0807	DIODE 1SS355-TE-17	C4883	403 157 3809	CERAMIC 120P J 50V
D1891	407 149 0807	DIODE 1SS355-TE-17	C4884	403 155 1609	CERAMIC 33P J 50V
D2806	407 179 0501	ZENER DIODE UDZ6.2B-TE-17			
D2807	407 179 0501	ZENER DIODE UDZ6.2B-TE-17			
D2821	407 187 8209	ZENER DIODE UDZ12B-TE-17			
D2822	407 187 8209	ZENER DIODE UDZ12B-TE-17			
D2823	407 187 8209	ZENER DIODE UDZ12B-TE-17			

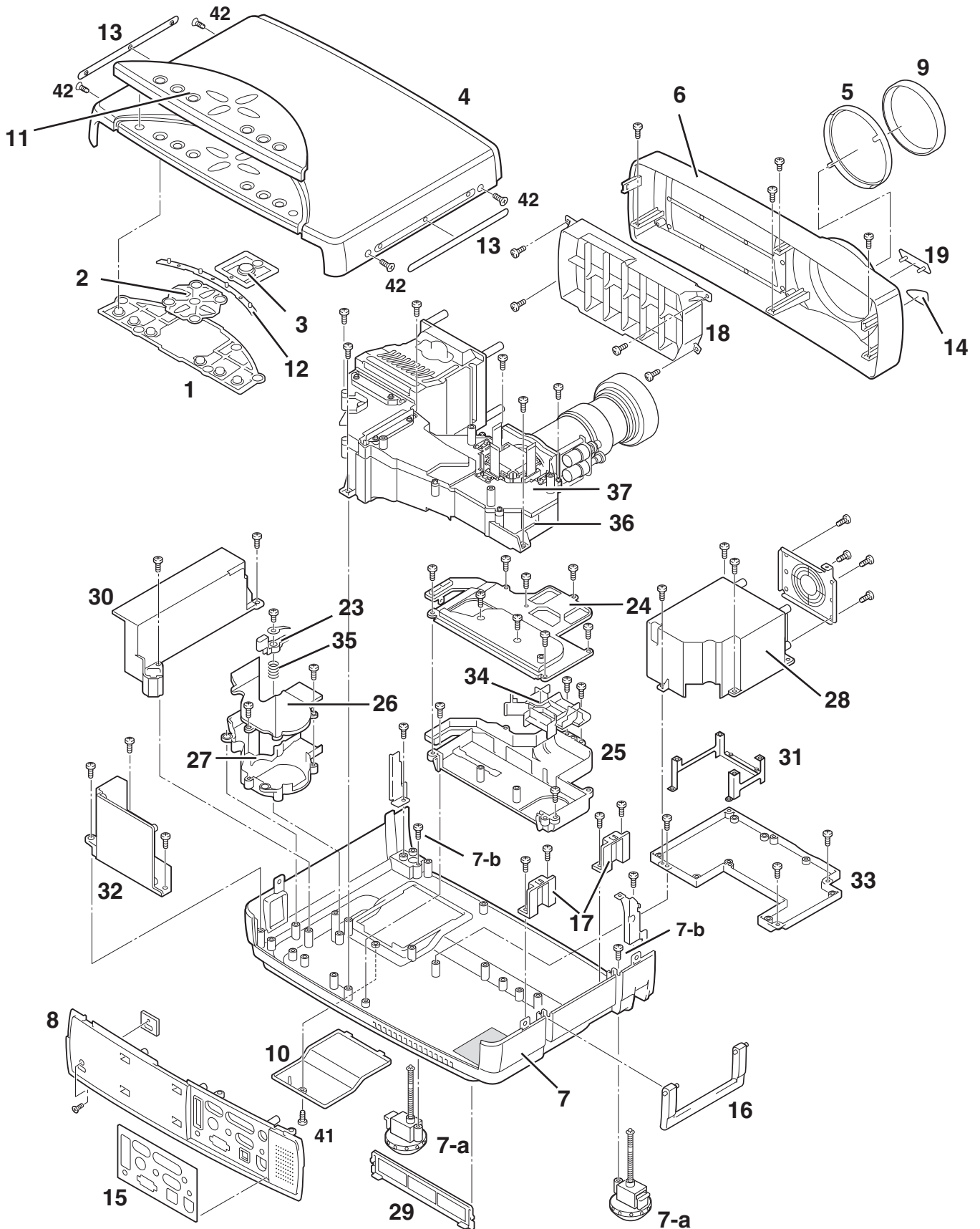
Electrical Parts List

Key No.	Part No.	Description	Key No.	Part No.	Description
RESISTOR					
R4881	401 105 0306	MT-GLAZE 10 JA 1/16W			
R4882	401 105 0306	MT-GLAZE 10 JA 1/16W			
R4884	401 105 0603	MT-GLAZE 10K JA 1/16W			
ACCESSORIES					
	645 054 3111	CABLE,MOUSE PS/2			
	645 054 3128	CABLE,MOUSE PS/2			
	645 039 7202	CABLE,MOUSE PS/2			
	610 298 7041	CARRY BAG-MD8A			
	645 057 3972	CABLE, INTERFACE DVI-VGA			
REMOTE CONTROL					
	645 052 0433	ASSY,REMOCON CXLA			
	610 283 3867	RC-BATTERY LID-CXFJ			
⚠ AC CORD					
US	645 054 1162	CORD,POWER-3.0MK			
EU	645 054 1155	CORD,POWER-3.0MK			
UK	645 054 1148	CORD,POWER-3.138MK			
OWNER'S MANUAL					
(ME3-XU4500, PLX-XU45)					
(English)	610 304 4804	OWNER'S MANUAL-ME3A			
(Germany)	610 304 4811	OWNER'S MANUAL-ME3A-D			
(French)	610 304 4828	OWNER'S MANUAL-ME3A-F			
(Italian)	610 304 4835	OWNER'S MANUAL-ME3A-I			
(Spanish)	610 304 4842	OWNER'S MANUAL-ME3A-E			
(MF3-XU4600, PLX-XU46)					
(English)	610 304 4750	OWNER'S MANUAL-MF3A			
(Germany)	610 304 4767	OWNER'S MANUAL-MF3A-D			
(French)	610 304 4774	OWNER'S MANUAL-MF3A-F			
(Italian)	610 304 4781	OWNER'S MANUAL-MF3A-I			
(Spanish)	610 304 4798	OWNER'S MANUAL-MF3A-E			

Mechanical Parts List

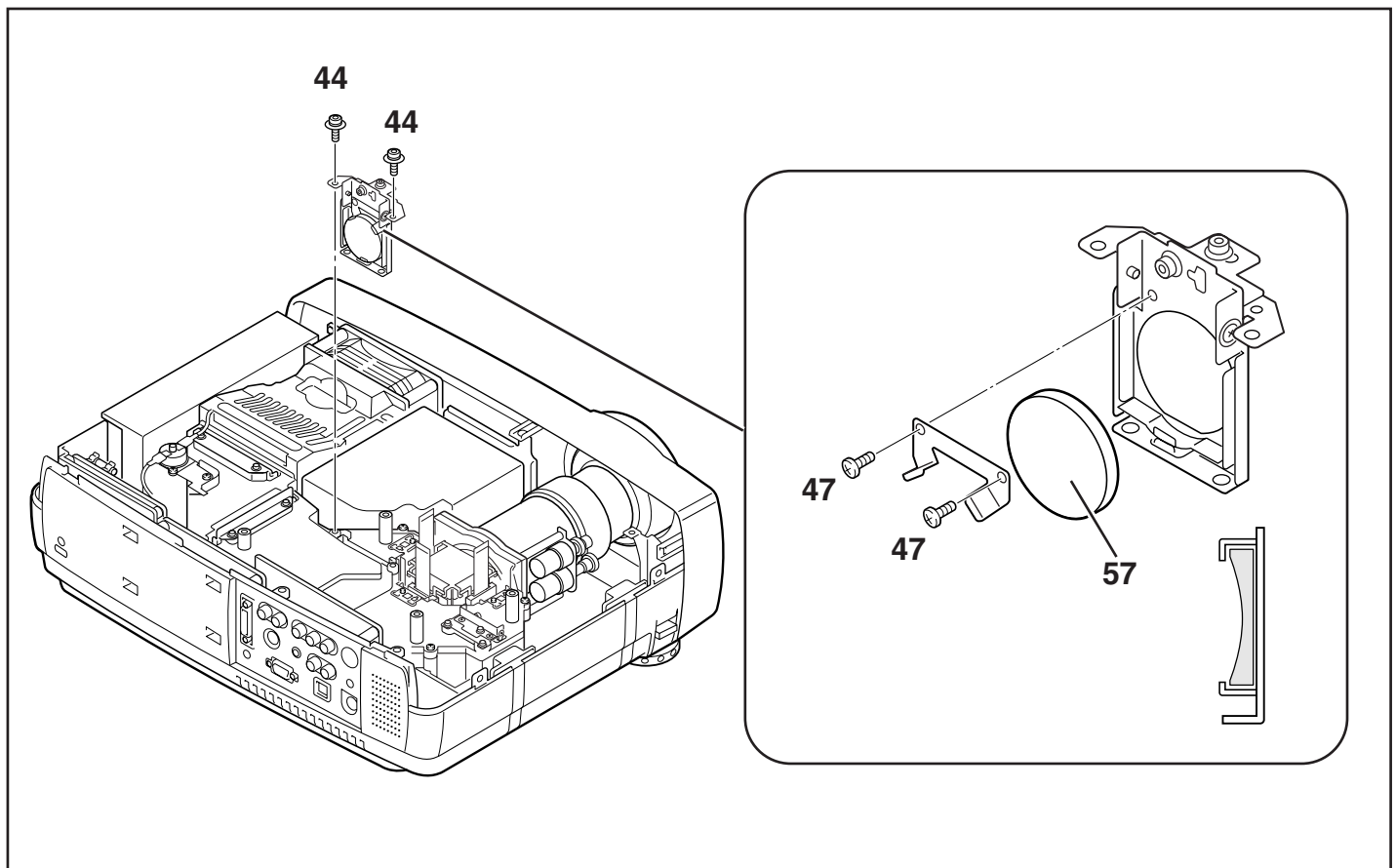
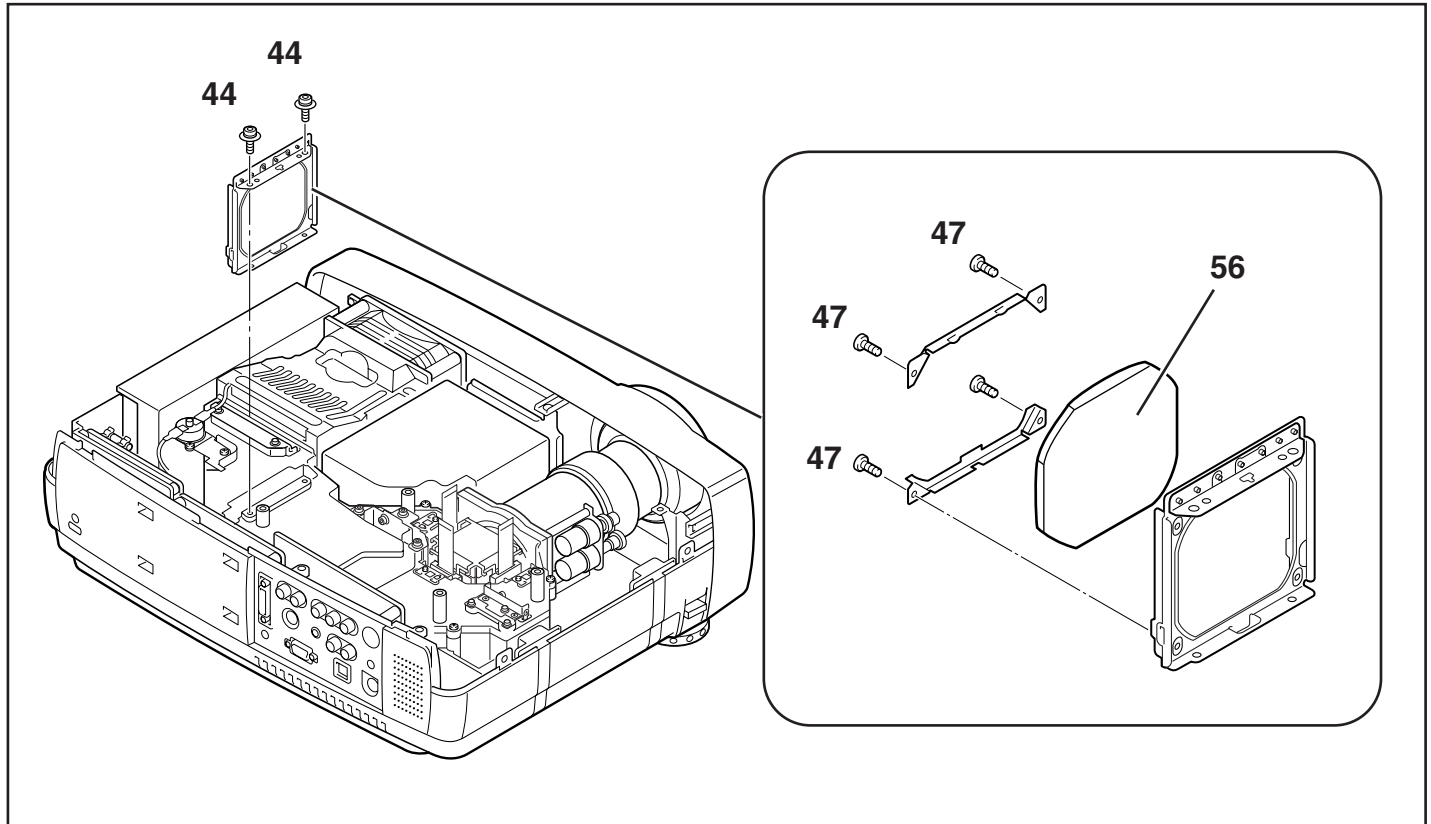
Note: Parts order must contain Chassis No., Part No., and Descriptions.

Cabinet Parts

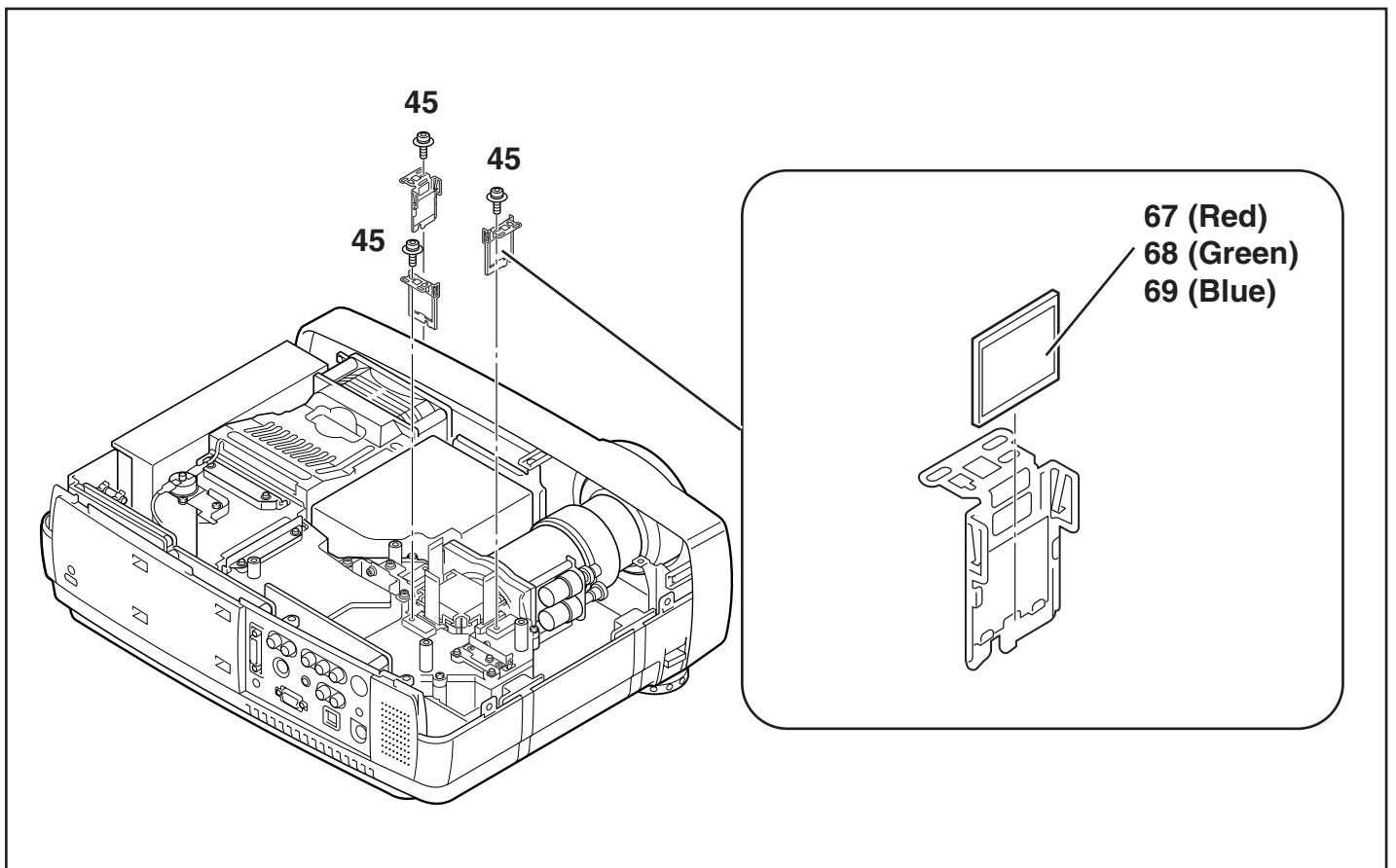
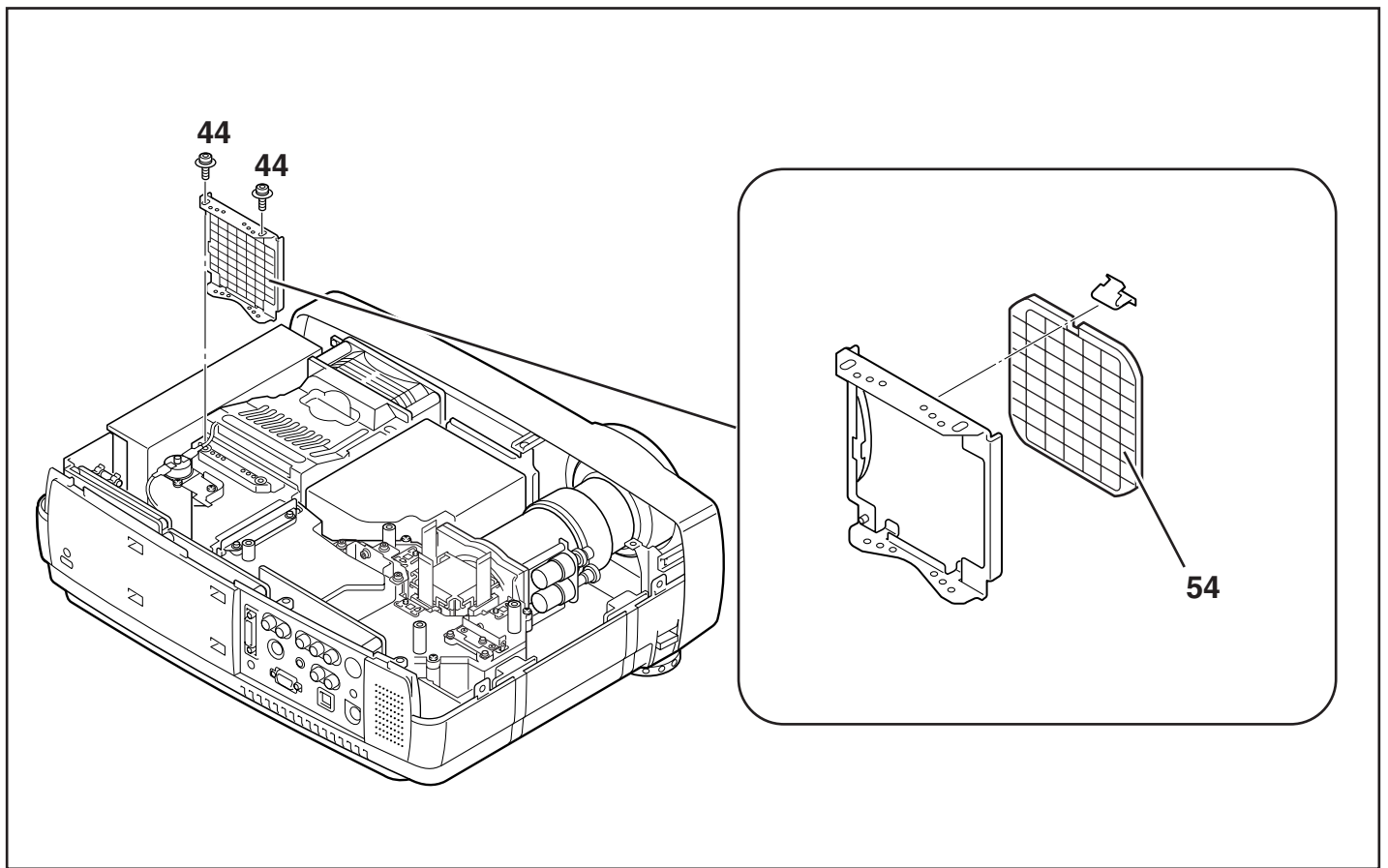


Mechanical Parts List

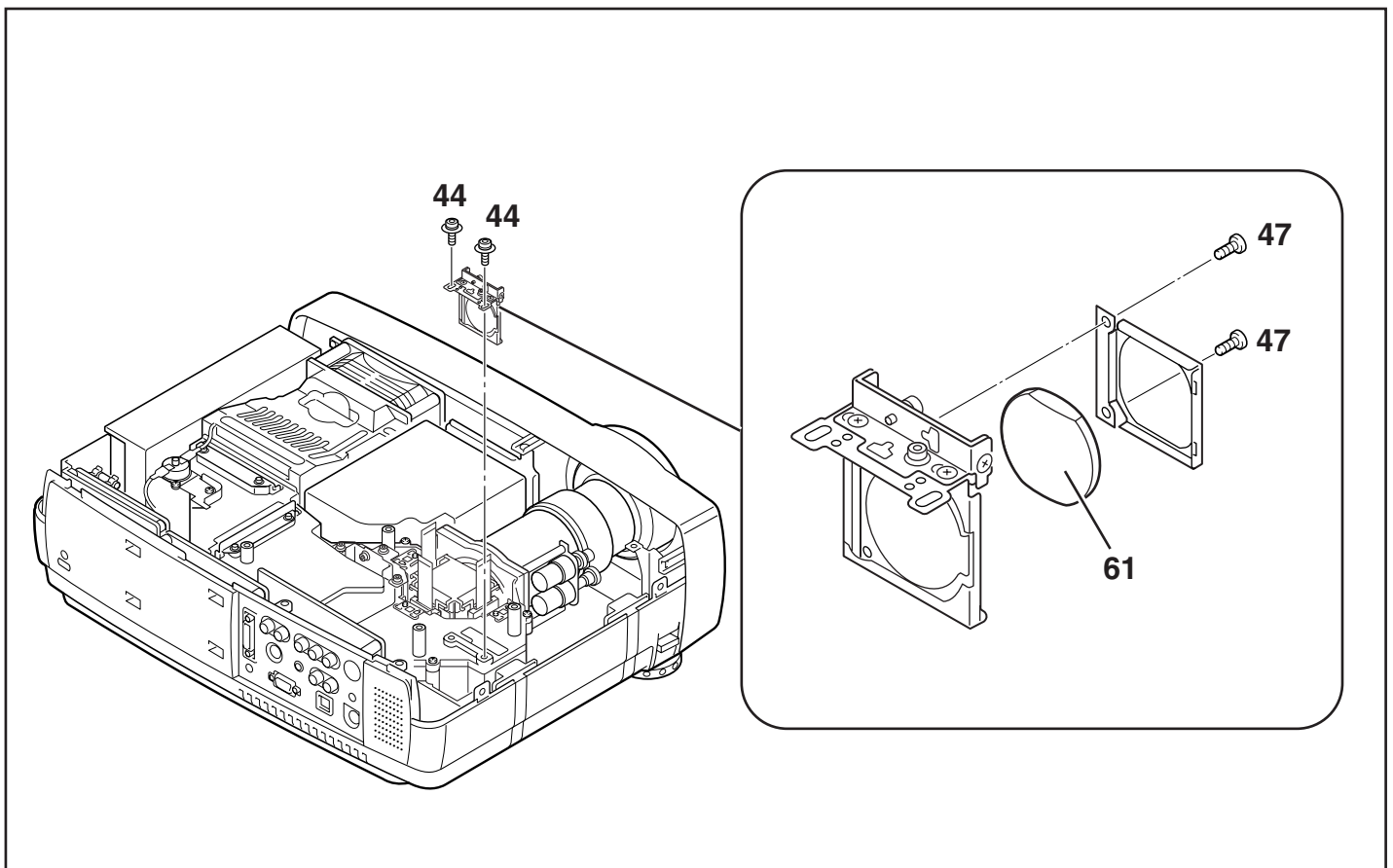
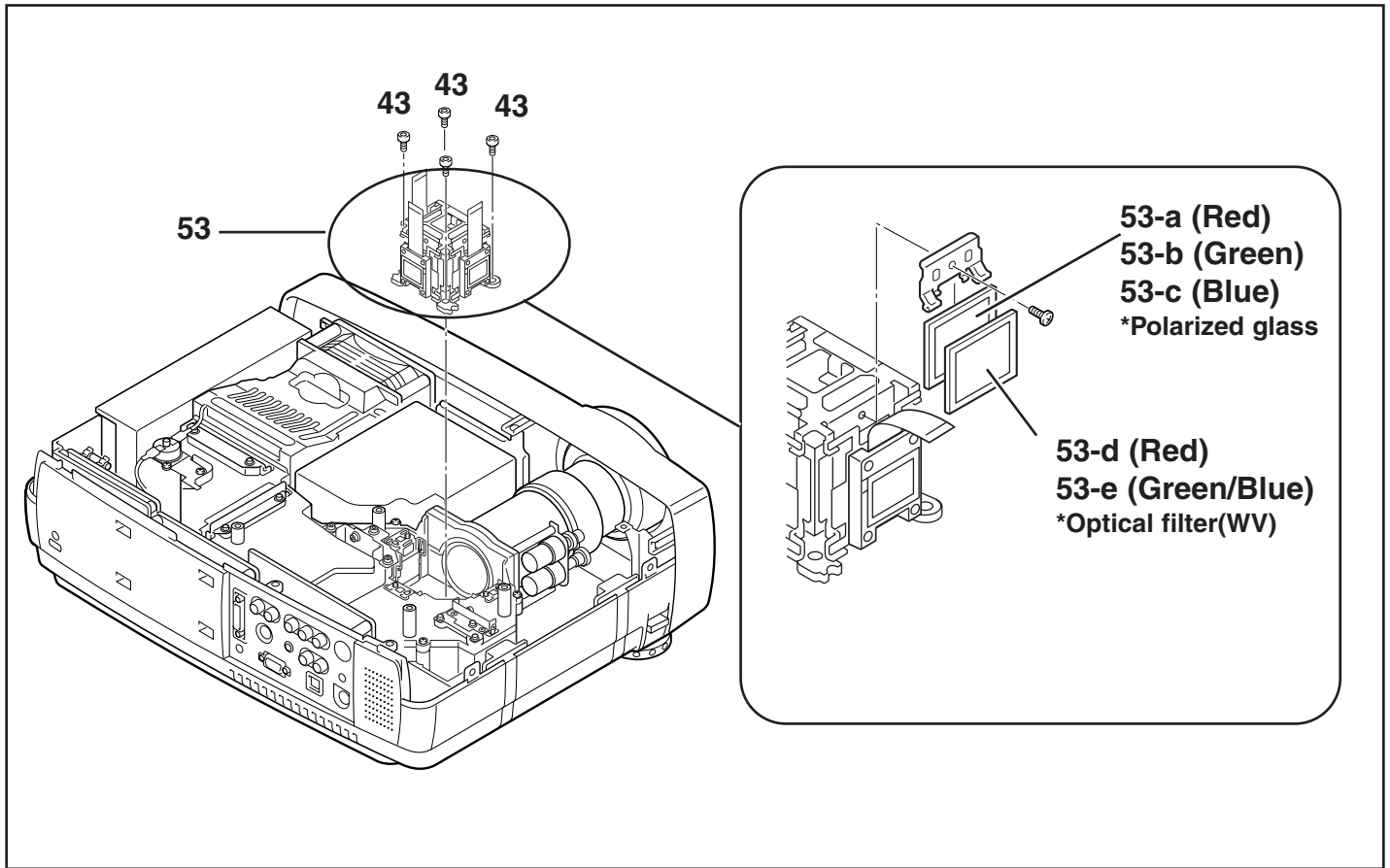
● Optical Parts



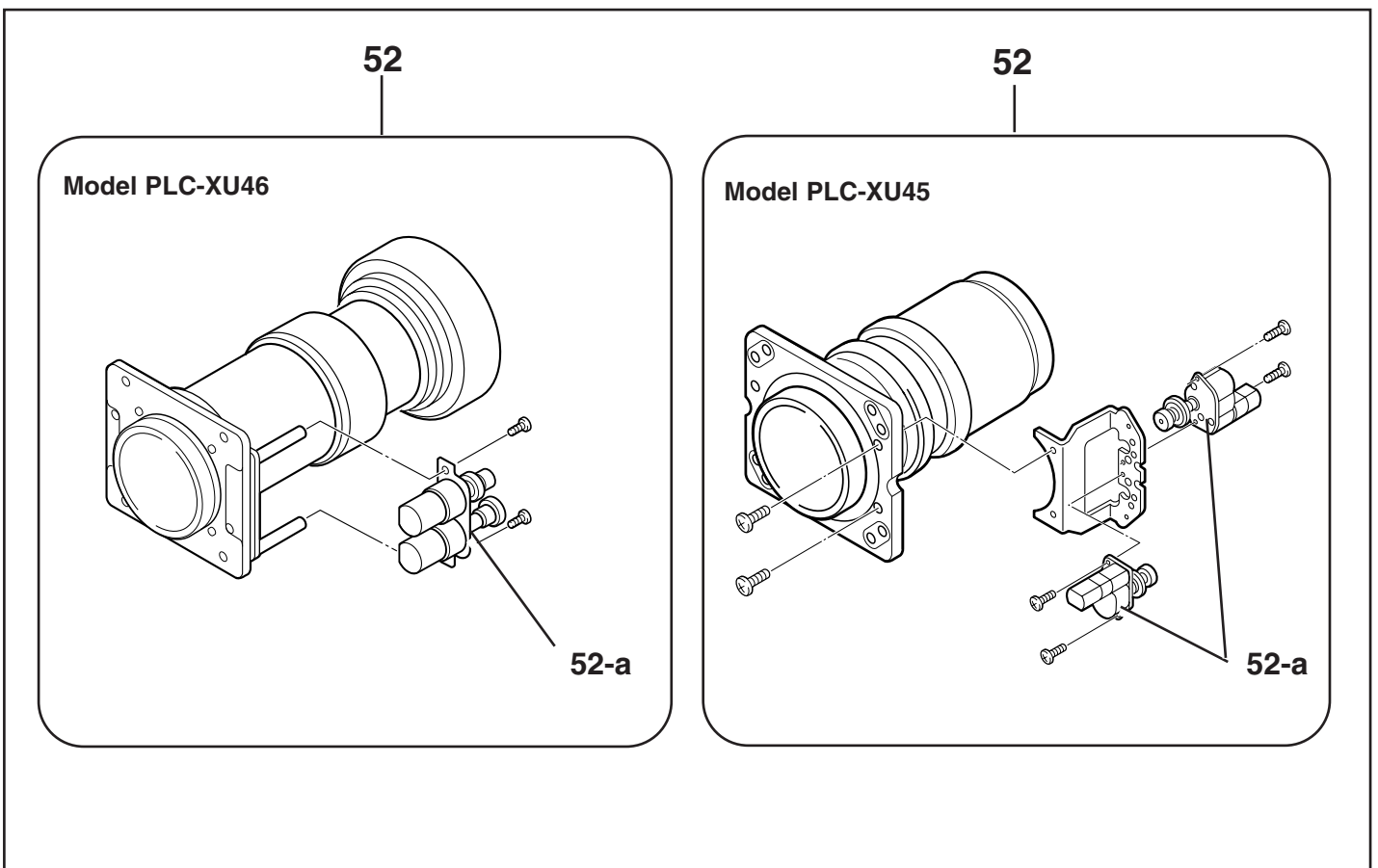
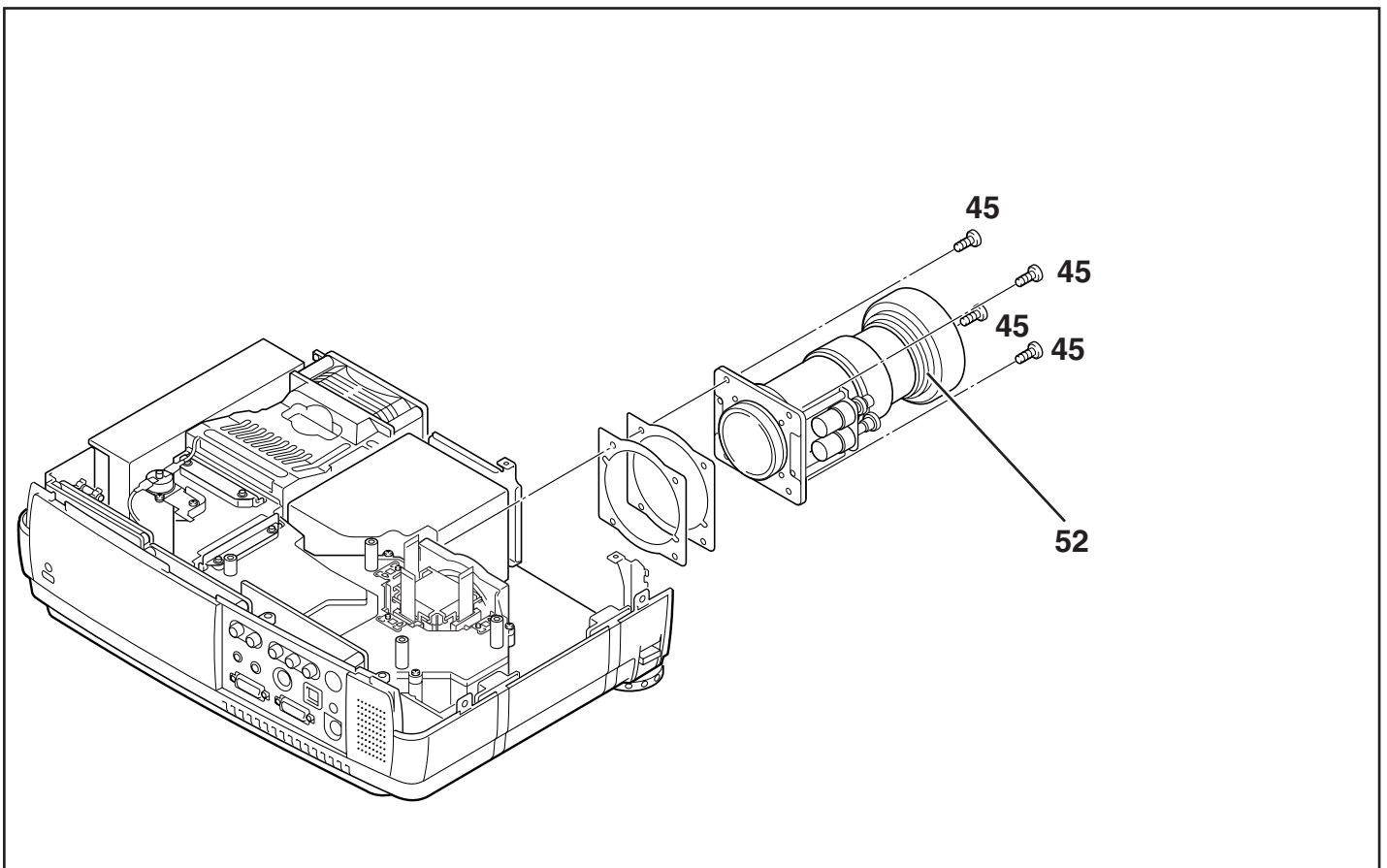
Mechanical Parts List



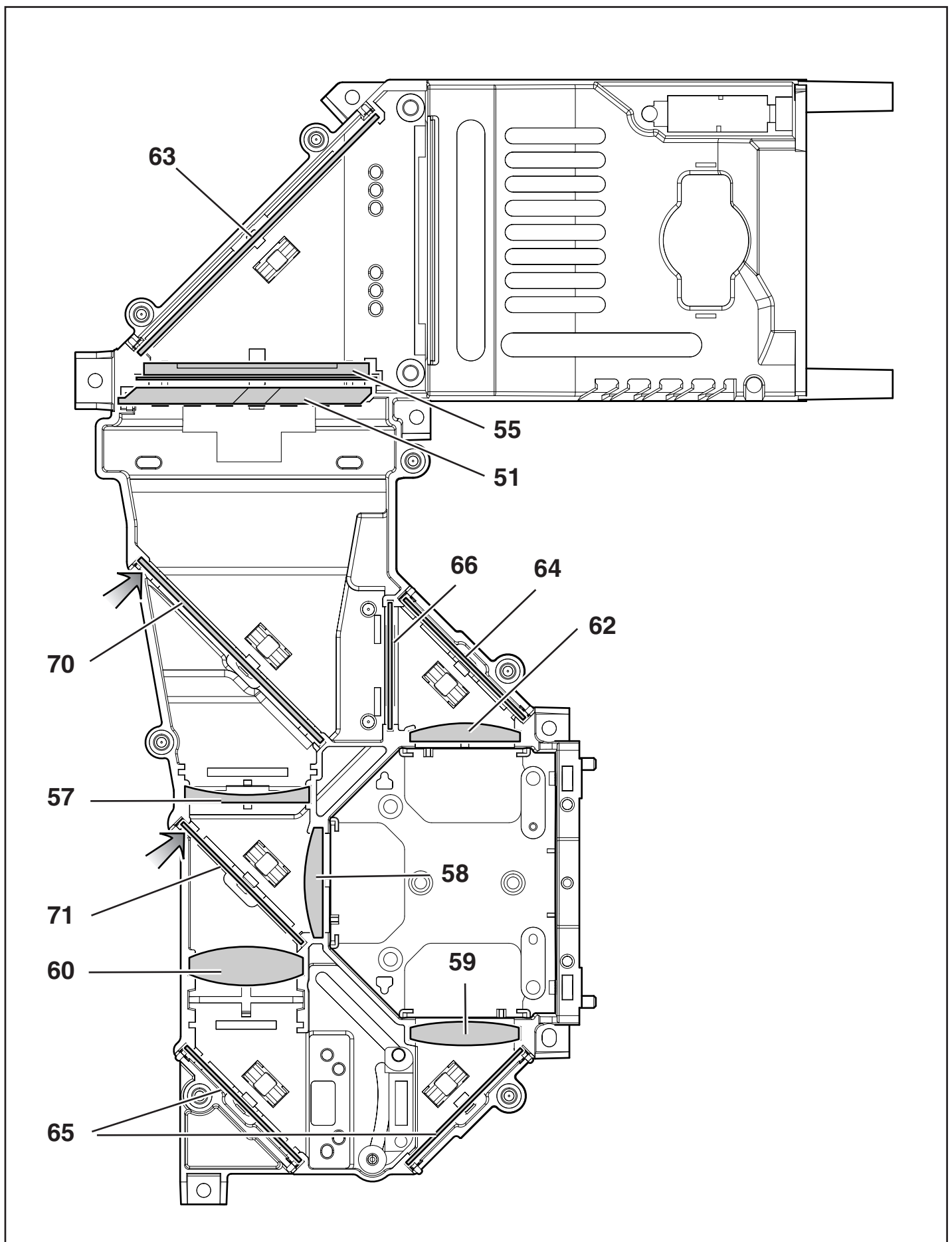
Mechanical Parts List



Mechanical Parts List



Mechanical Parts List



Mechanical Parts List

Key No.	Part No.	Description	Key No.	Part No.	Description
CABINET PARTS			SCREWS		
1	610 292 5630	BUTTON CONTROL-MS6A	41	411 001 8504	SCR BIN 3X4
2	610 292 5647	BUTTON ZOOM-MS6A	42	411 052 9109	SCR OVL 3X6
3	610 292 5654	BUTTON POWER-MS6A	43	412 058 5409	SPECIAL SCREW
4	610 297 2283	CABINET TOP-MD8A	44	411 174 9308	BOLT HEX-SCT+SW+W 2.5X6
	(ME3-XU4500, PLC-XU45)		45	411 098 3604	SCR S-TPG FLT 3X10
5	610 298 6686	CABINET RING-MF8A	46	411 037 4105	SCR PAN+W 3X10
6	610 301 8706	CABINET FRONT SERVICE-MF8 (Including Key No.5)	47	411 002 4901	SCR PAN 2X4
9	610 298 4040	CAP LNS-MF8A			
	(MF3-XU4600, PLC-XU46)		OPTICAL PARTS		
5	610 297 2344	CABINET RING-MD8A	(ME3-XU4500, PLC-XU45)		
6	610 301 3343	CABINET FRONT SERVICE-MD8 (Including Key No.5)	52	645 047 0226	ASSY, LENS, PROJECTION
9	610 297 2481	CAP LNS-MD8A	52-a	645 047 6129	MOTOR, LENS (F, Z) DC 0.2W
			(MF3-XU4600, PLC-XU46)		
7	610 300 2248	COMPL, CABINET BOTTOM-MD8A (Including Key No.7-a and b)	52	645 057 1466	ASSY, LENS, PROJECTION
7-a	610 292 6958	ASSY, STAND LEG-MD8A	52-a	645 057 1480	MOTOR, LENS
7-b	411 025 6500	SCR S-TPG BIN 3X8	51	645 046 8483	ASSY, PRISM (PBS)
8	610 300 3122	CABINET BACK-MK8A	53	610 307 2739	ASSY, LD PNL/PRISM-ME3A (Including Key No. 53-a, b, c, d and e)
10	610 293 0153	COVER LMP-MD8A	53-a	645 060 1453	POLARIZED GLASS (OUT/R) SA
11	610 293 0177	COVER CABI TOP-MD8A	53-b	645 060 1460	POLARIZED GLASS (OUT/G) SA
12	610 292 7306	DEC LED-MS6A	53-c	645 060 1477	POLARIZED GLASS (OUT/B) SA
13	610 294 1548	DEC SASH-MS6A	53-d	645 060 1408	OPTICAL FILTER (WV) R
14	610 292 7344	DEC AV SHEET-MK8A	53-e	645 060 1415	OPTICAL FILTER (WV) GB
15	610 294 9308	DEC SHEET RC-MW6A	54	645 051 8898	LENS, INTEGRATOR (IN)
16	610 293 0184	HANDLE-MD8A	55	645 046 8056	LENS, INTEGRATOR (OUT)
17	610 292 5753	HOLDER HANDLE-MS6A	56	645 046 8087	LENS, CONDENSER (IN)
18	610 297 2665	MOUNTING DUCT FR-MD8A	or	645 051 1318	LENS, CONDENSER (IN)
19	645 047 8031	BADGE, SANYO*26.2X5.7L26.0	57	645 046 8094	LENS, CONDENSER (OUT)
	610 289 1812	BADGE V MARK S-MK6A	or	645 051 1325	LENS, CONDENSER (OUT)
			58	645 046 8100	LENS, CONDENSER
			or	645 051 1332	LENS, CONDENSER
			59	645 046 8117	LENS, CONDENSER (R)
			or	645 051 1349	LENS, CONDENSER (R)
			60	645 046 8124	LENS, RELAY (IN)
			or	645 051 1356	LENS, RELAY (IN)
			61	645 046 8131	LENS, RELAY (OUT)
			or	645 051 1363	LENS, RELAY (OUT)
			62	645 050 2040	LENS, CONDENSER (B)
			63	645 047 1797	MIRROR (W-COLD)
			64	645 047 1803	MIRROR (B)
			65	645 047 1810	MIRROR (R)
			66	645 059 4908	OPTICAL FILTER (UV CUT)
			67	645 060 1422	POLARIZED GLASS (IN/R) DM
			68	645 060 1439	POLARIZED GLASS (IN/G) SA
			69	645 060 1446	POLARIZED GLASS (IN/B) SA
			70	645 047 1933	DICHROIC MIRROR (B)
			71	645 057 1350	DICHROIC MIRROR (G)
CHASSIS PARTS					
23	610 294 1760	ARM SW-MS6A			
24	610 292 6040	COVER DUCT TOP-MS6A			
25	610 292 6064	COVER DUCT BTM-MS6A			
26	610 292 6088	COVER DUCT LMP PWB TOP-MS			
27	610 292 6095	COVER DUCT LMP PWB BTM-MS			
28	610 292 6101	COVER MAIN POW-MS6A			
29	610 292 6125	FILTER BASE A-MS6A			
	(ME3-XU4500, PLC-XU45)				
30	610 292 6217	HOLDER LMP PWB-MS6A			
	(MF3-XU4600, PLC-XU46)				
30	610 298 4088	HOLDER LMP PWB-MD8A			
31	610 294 5249	HOLDER POWER PCB A-MS6A			
32	610 292 5760	MOUNTING SW-MS6A			
33	610 292 6408	MOUNTING MAIN POWER-MS6A			
34	610 305 6913	MOUNTING DUCT-ME3A			
35	610 285 8631	SPRING INT-MK6A			
36	610 292 6590	OPTICAL BASE BTM-MS6A			
37	610 292 6606	OPTICAL BASE TOP-MS6A			



Schematic Diagrams Printed Wiring Board Drawings

Model	Chassis No.
PLC-XU45	ME3-XU4500
PLC-XU46	MF3-XU4600

These schematic diagrams and printed wiring board drawings are part of the service manual original for chassis No. ME3-XU4500, MF3-XU4600 models PLC-XU45, PLC-XU46.

File with the service manual No. SM5110464-00.

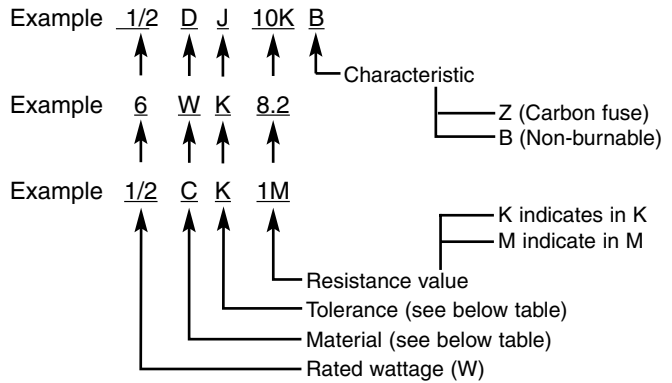
Note:

All the information of part numbers and values indicated on these diagrams are at the beginning of production. To improve the performance, there may be some differences to the actual set. When you order the service parts, use service parts code mentioned on the parts list in this service manual.

Parts description and reading in schematic diagram

1. The parts specification of resistors, capacitors and coils are expressed in designated code. Please check the parts description by the following code table.
2. Some of transistors and diodes are indicated in mark for the substitution of parts name. Please check the parts name by the following code table.
3. Voltages and waveforms were taken with a video color bar signal(1Vp-p at 75 ohms terminated) and controls to normal.
4. Voltages were taken with a high-impedance digital voltmeter.

Resistor Reading



Note: Resistor which is indicated with resistance value only are 1/6W carbon resistor. Resistor which is indicated with material, tolerance and value are 1/4W rated wattage.

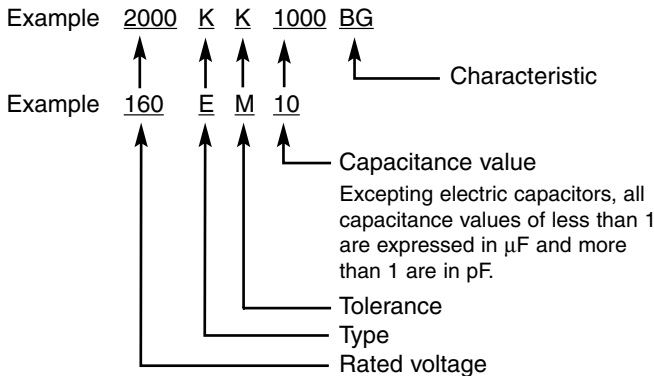
Material table

Mark	Material
D	Carbon
N	Metal film
S	Oxide metal film
C	Solid
G	Metal glaze
W	Wire winding or cement
H	Ceramic
F	Fusible

Tolerance table

Mark	Tolerance
A	±0.05
B	±0.1
C	±0.25
D	±0.5
F	±1
G	±2
J	±5
K	±10
M	±20
P	+5 -15
Z	used in 0 ohm

Capacitor Reading



Material table

Mark	Material
E	Electrolytic
P	Electrolytic (non-polarized)
C	Ceramic (temperature compensation)
K	Ceramic
F	Polyester
N	Polypropylene
M	Metallized polypropylene
H	Metallized polypropylar
B	Ceramic (semiconductor)
G	Metallized polyestel
Y	Composite film
S	Styrol
T	Tantalum oxide solid electrolytic
U	Organic semiconductive electrolyte
D	Electric double layer electrolytic

Tolerance table

Mark	Tolerance
A	not specified
B	±0.1
C	±0.25
D	±0.5
F	±1
G	±2
E	±2.5
H	±3
J	±5
K	±10
M	±20
N	±30
P	+100 -0
Q	+30 -10
T	+50 -10
U	+75 -10
V	+20 -10
W	+100 -10
X	+40 -20
Y	+150 -10
Z	+80 -20

Diode/Transistor Type Reading

Diode

Mark	Type number
R	1S2076A,1S2473,1N4148
AA	1S2076A,1S2473,1SS133,1N4148

Transistor

(1) NPN type

Mark	Type number			
--	2SC536	2SC945A	2SC1815	2SC1740S
AD	NF, NG	PA, QA	Y, GR	Q, R, S
AE	NF, NG	PA, QA, RA	O, Y, GR	Q, R, S

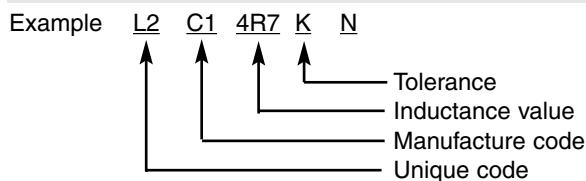
(2) PNP type

Mark	Type number			
--	2SA608	2SA564A	2SA1015	2SA933S
AB	NF	R	Y, GR	R
AC	NF	Q, R	O, Y, GR	Q, R

(3) Chip type

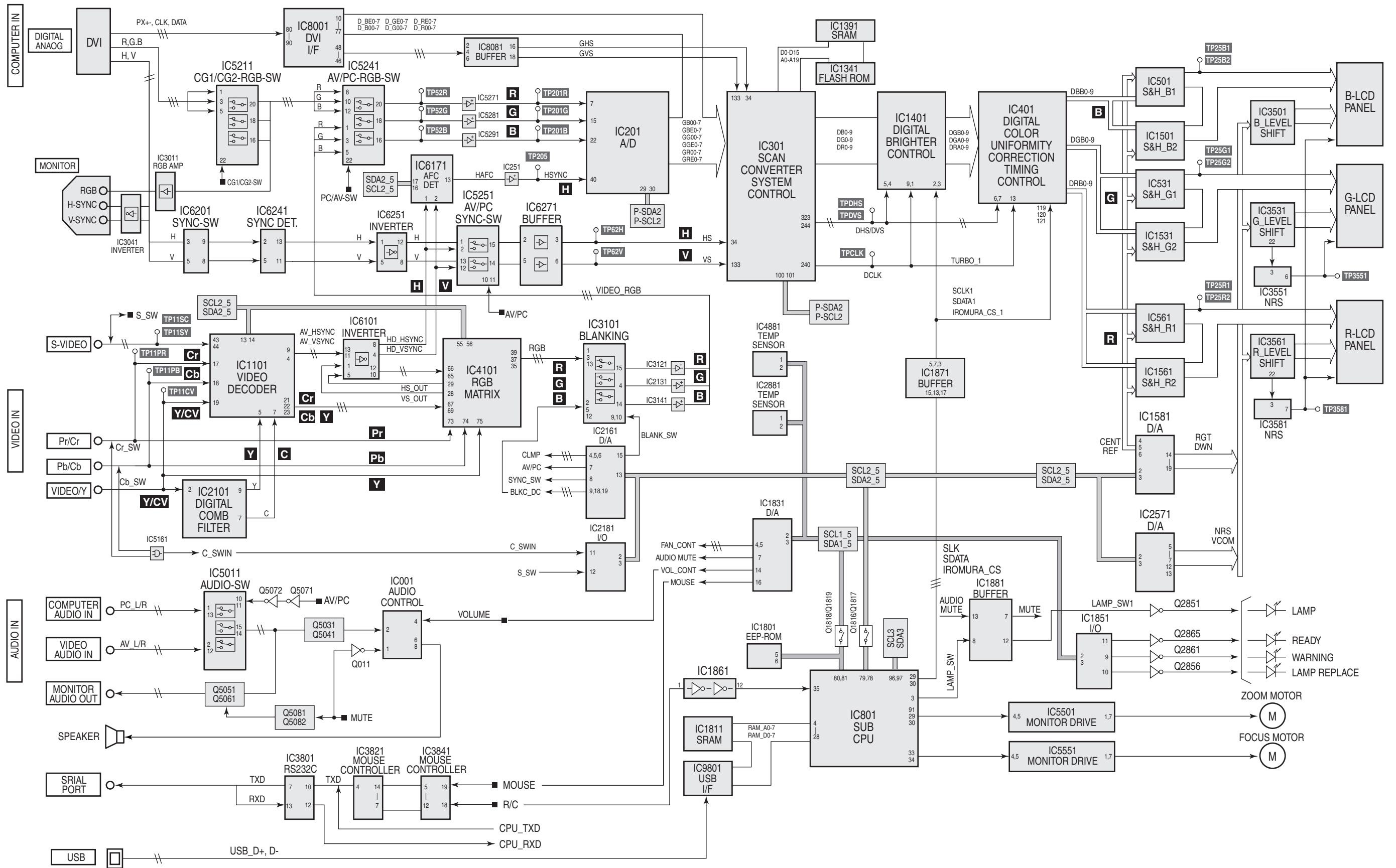
Mark	Type number				
--	2SA1179/N	2SA1037K	2SA1037AK	2SC2812/N	2SC2412K
AJ	M6, M7	R, S	R, S		
AH				L6, L7	R, S

Coil Reading

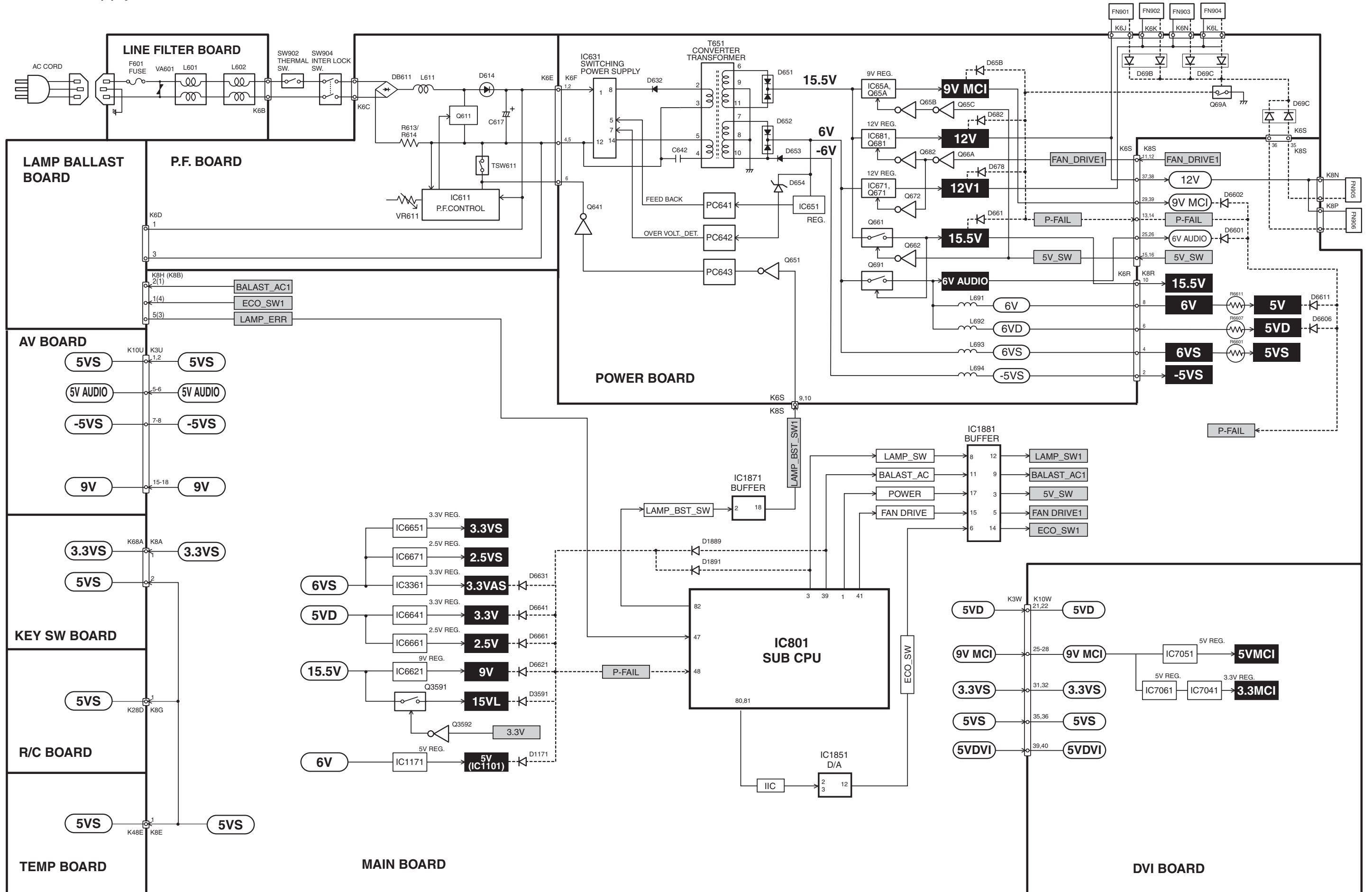


Mark	Tolerance (nH)	Mark	Tolerance (%)
C	±0.25	G	±2
D	±0.5	J	±5
S	±0.3	K	±10
A	±0.2	L	±15
		M	±20

Circuit Block Diagram

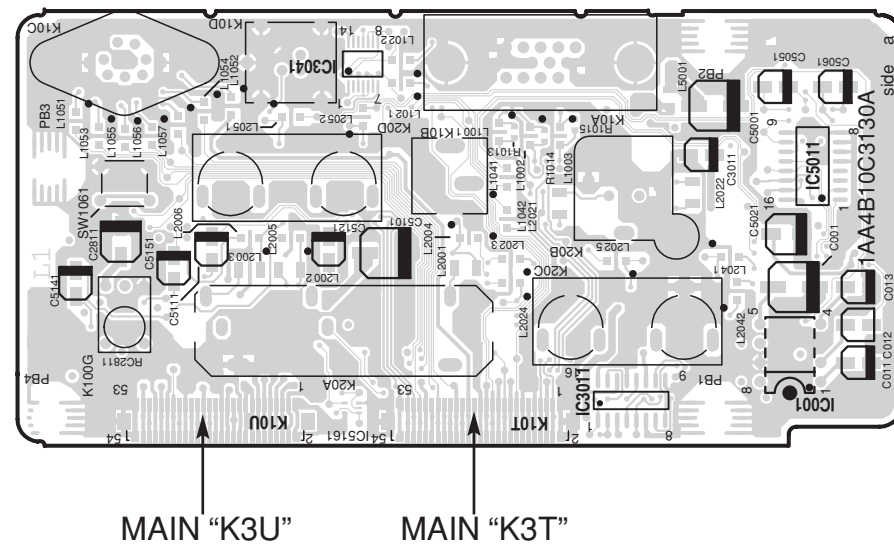


Power Supply Lines

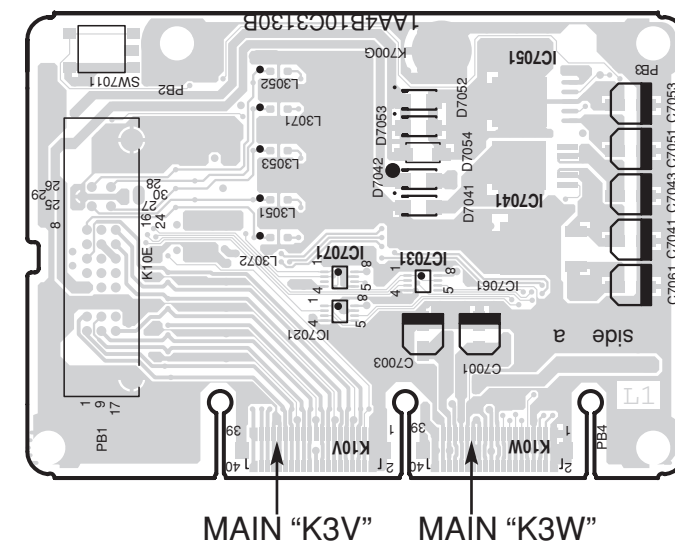


■ Printed Wiring Board Diagrams

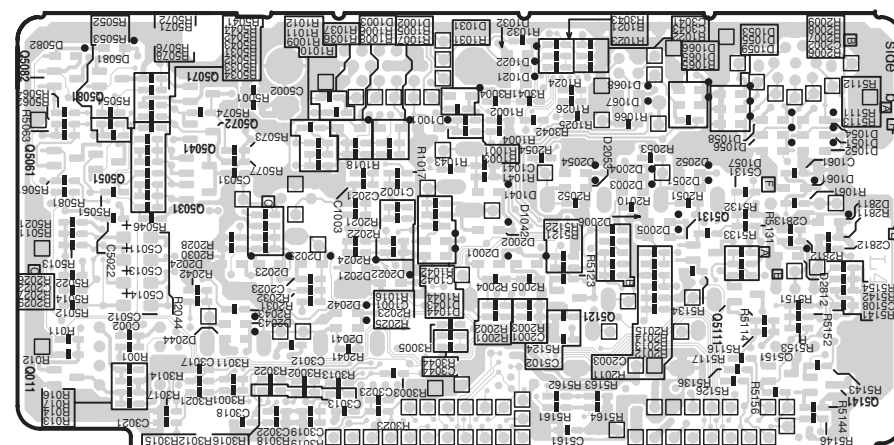
AV (SIDE:A)



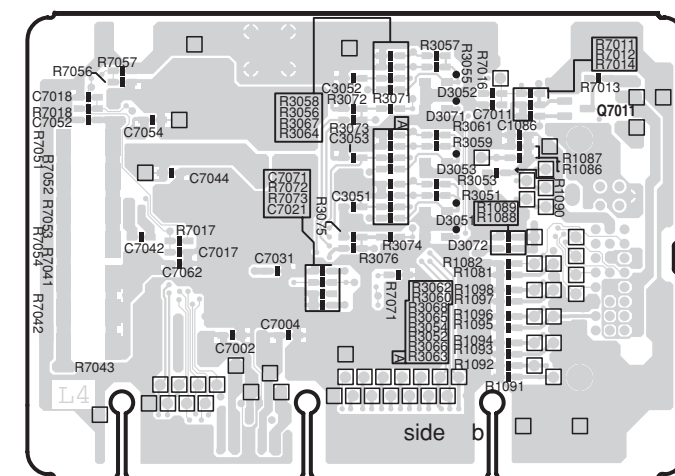
DVI (SIDE:A)



AV (SIDE:B)



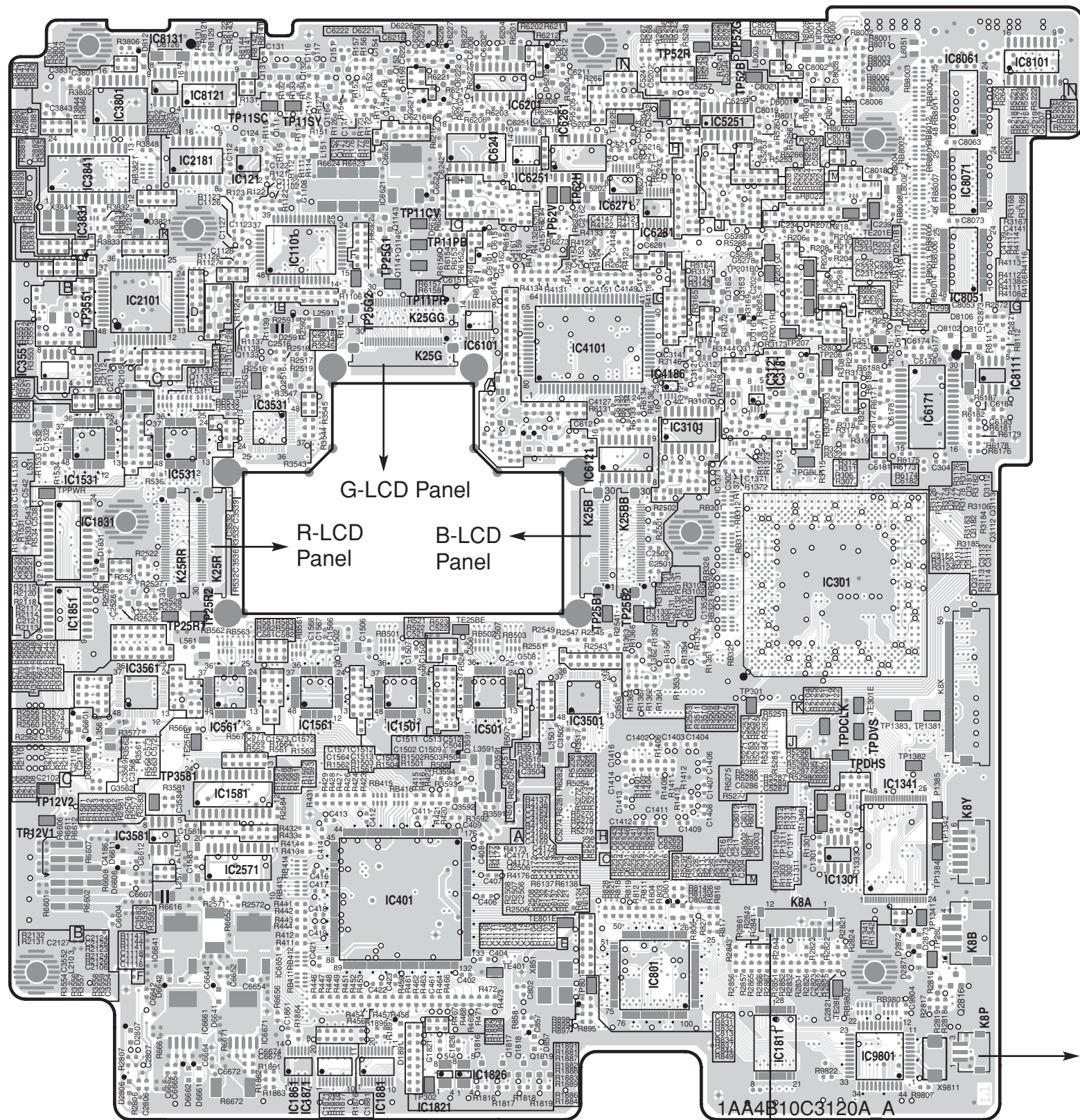
DVI (SIDE:B)



⚠ CAUTION

- This projector is isolated from AC line by using the internal converter transformer. Please pay attention to the following notes in servicing
1. Do not touch the part on hot side (primary circuit) or both parts on hot and cold sides (secondary circuit) at the same time.
 2. Do not shorten the circuit between hot and cold sides.
 3. The grounding lead must be connected to the ground of the same circuit when measuring of voltages and waveforms.

MAIN (SIDE:A)



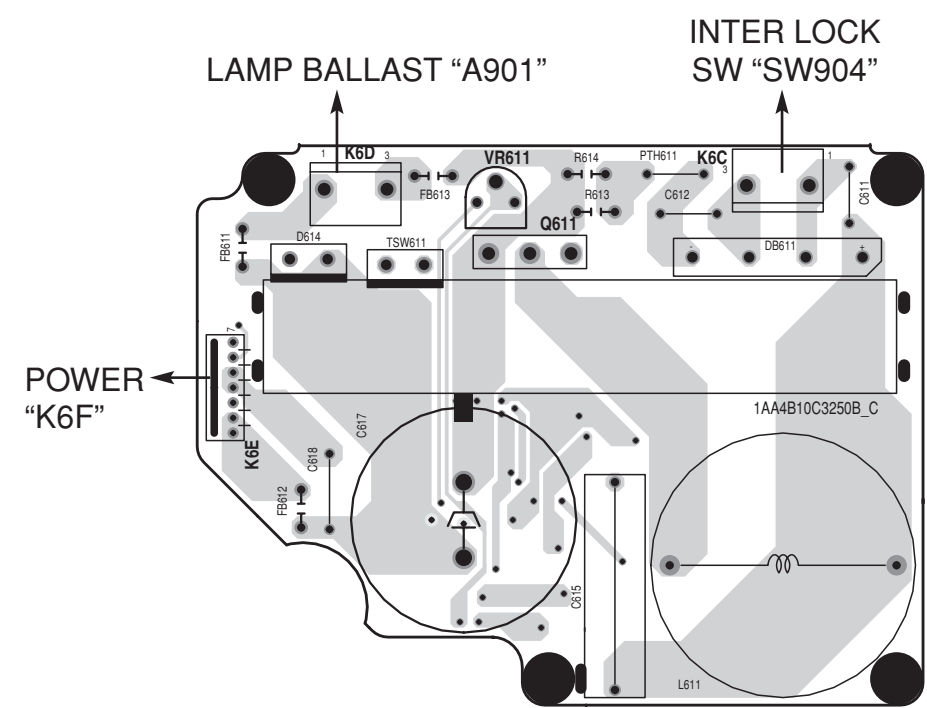
G-LCD Panel
 R-LCD Panel
 B-LCD Panel

KEY SW "K68A"

1AA4B10C3120A A

FN906

P.F (SIDE:A)

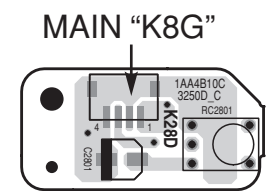


LAMP BALLAST "A901"

INTER LOCK SW "SW904"

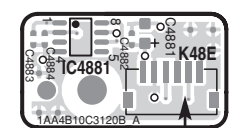
POWER "K6F"

R/C (SIDE:A)



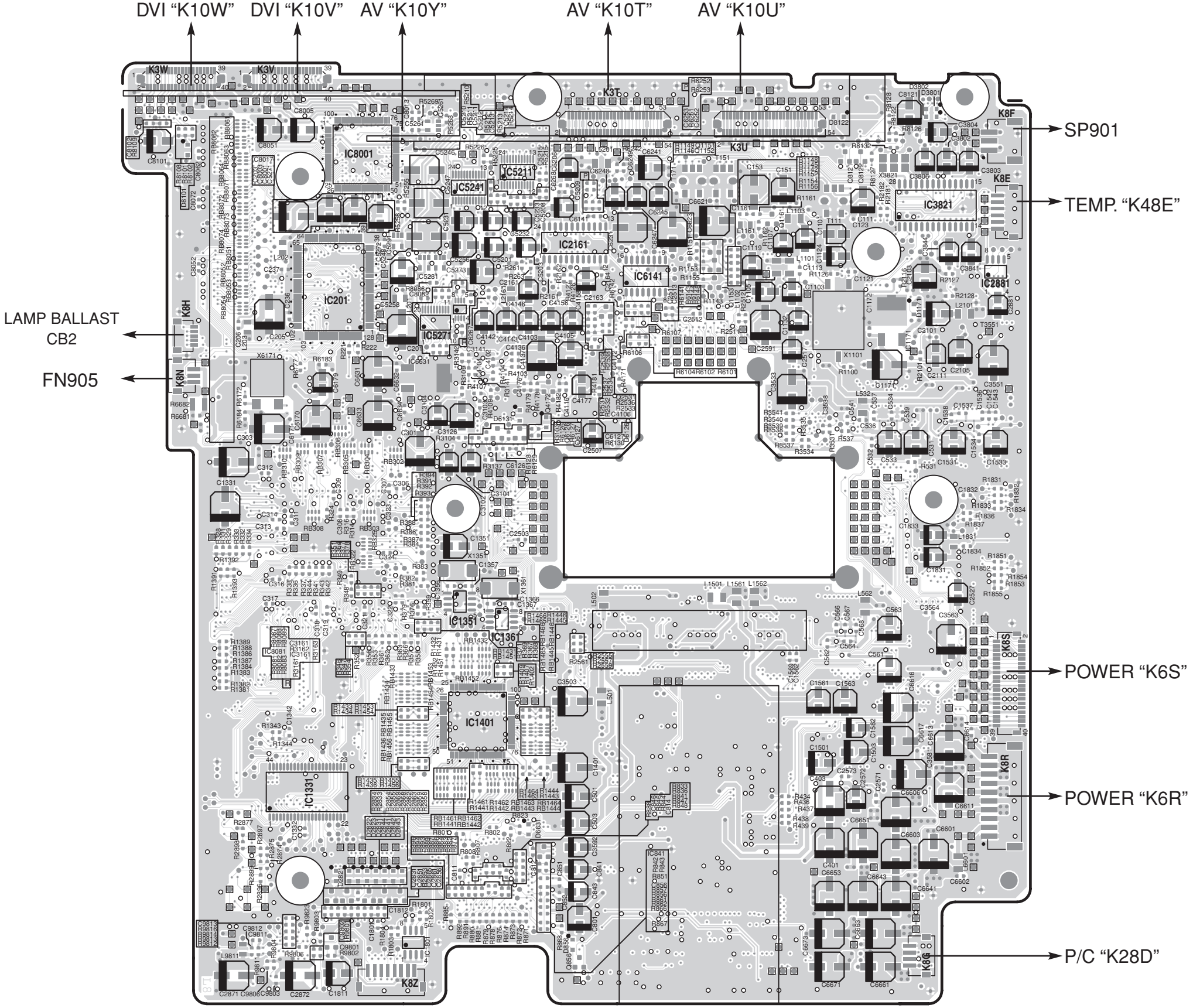
MAIN "K8G"

TEMP (SIDE:A)



MAIN "K8E"

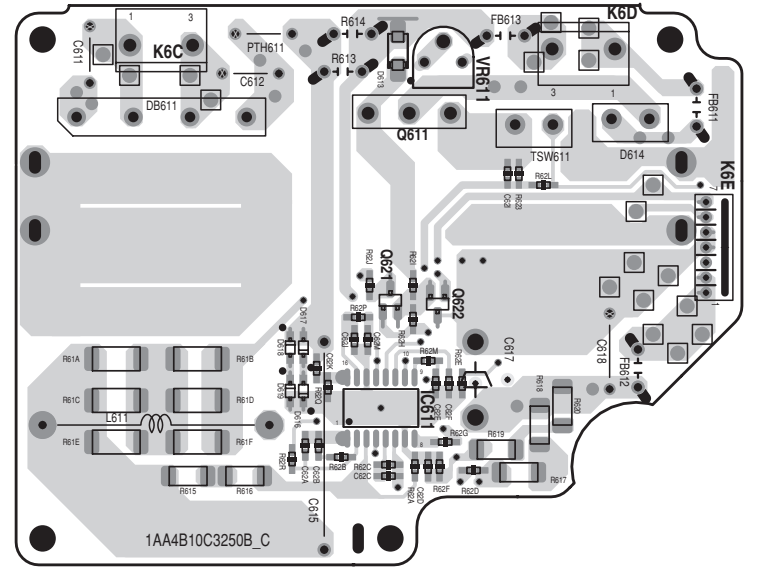
MAIN (SIDE:B)



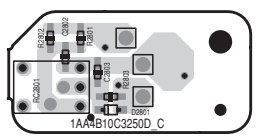
LAMP BALLAST
CB2
FN905

SP901
TEMP. "K48E"
POWER "K6S"
POWER "K6R"
P/C "K28D"

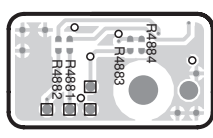
P.F (SIDE:B)



R/C (SIDE:B)

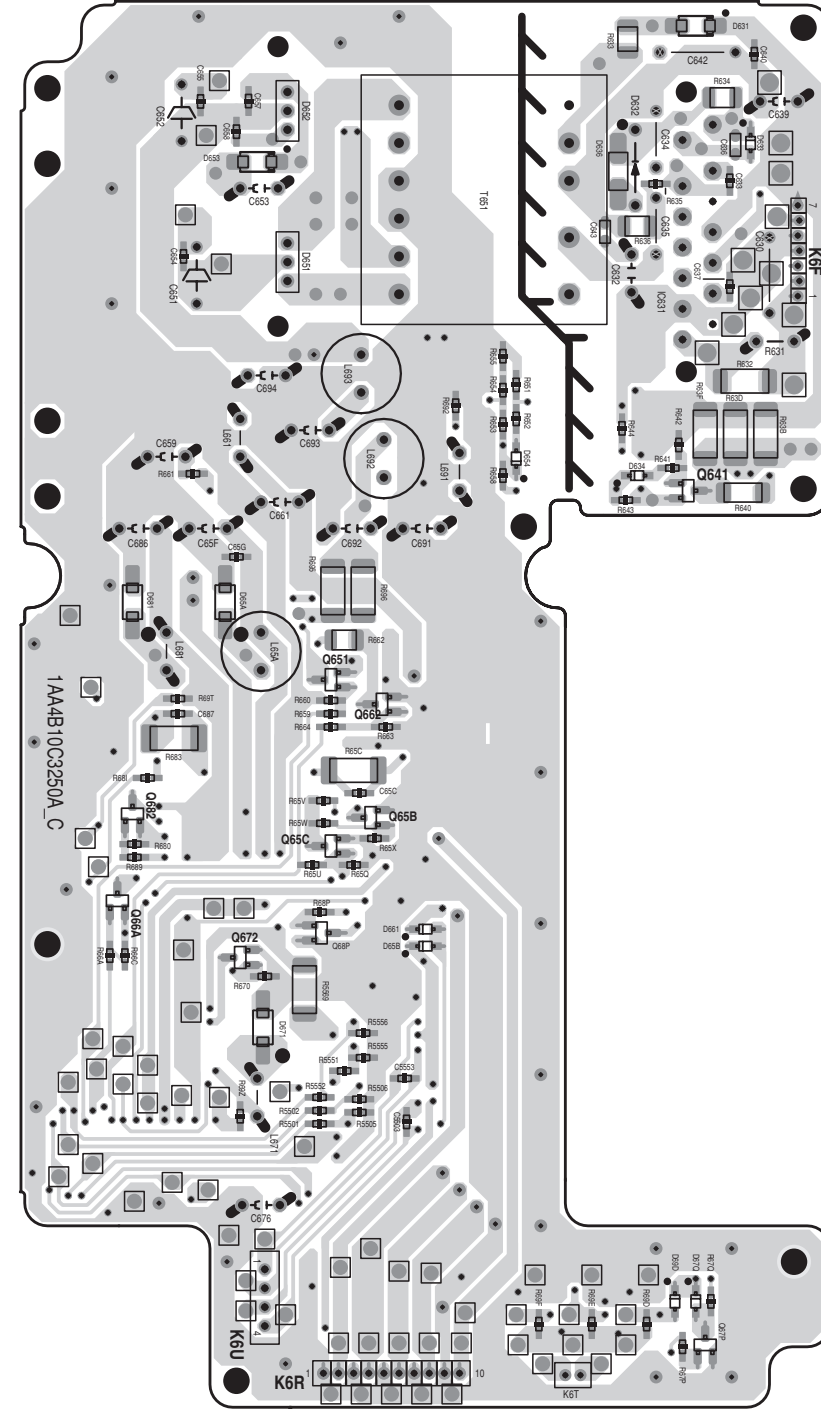
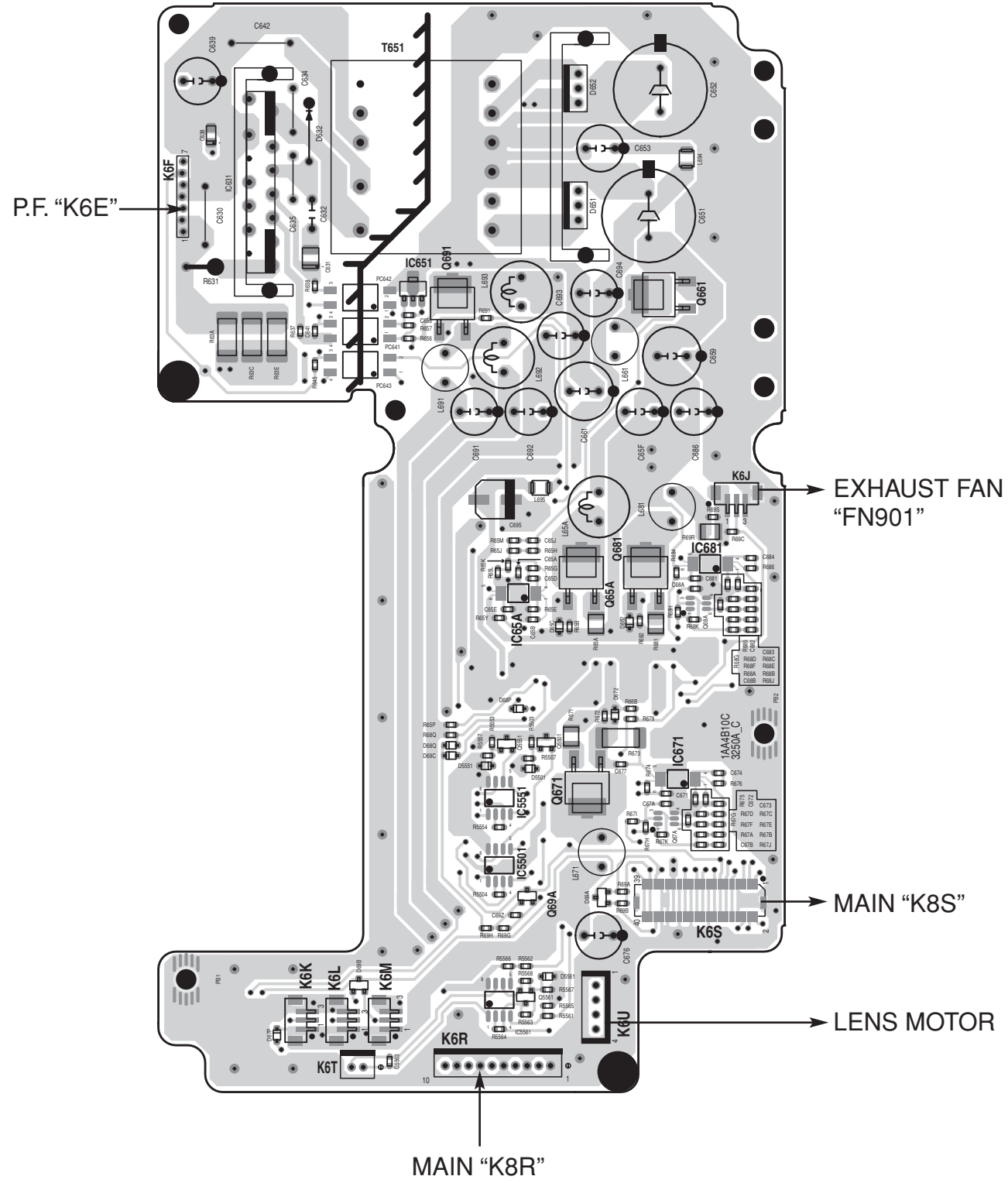


TEMP (SIDE:B)

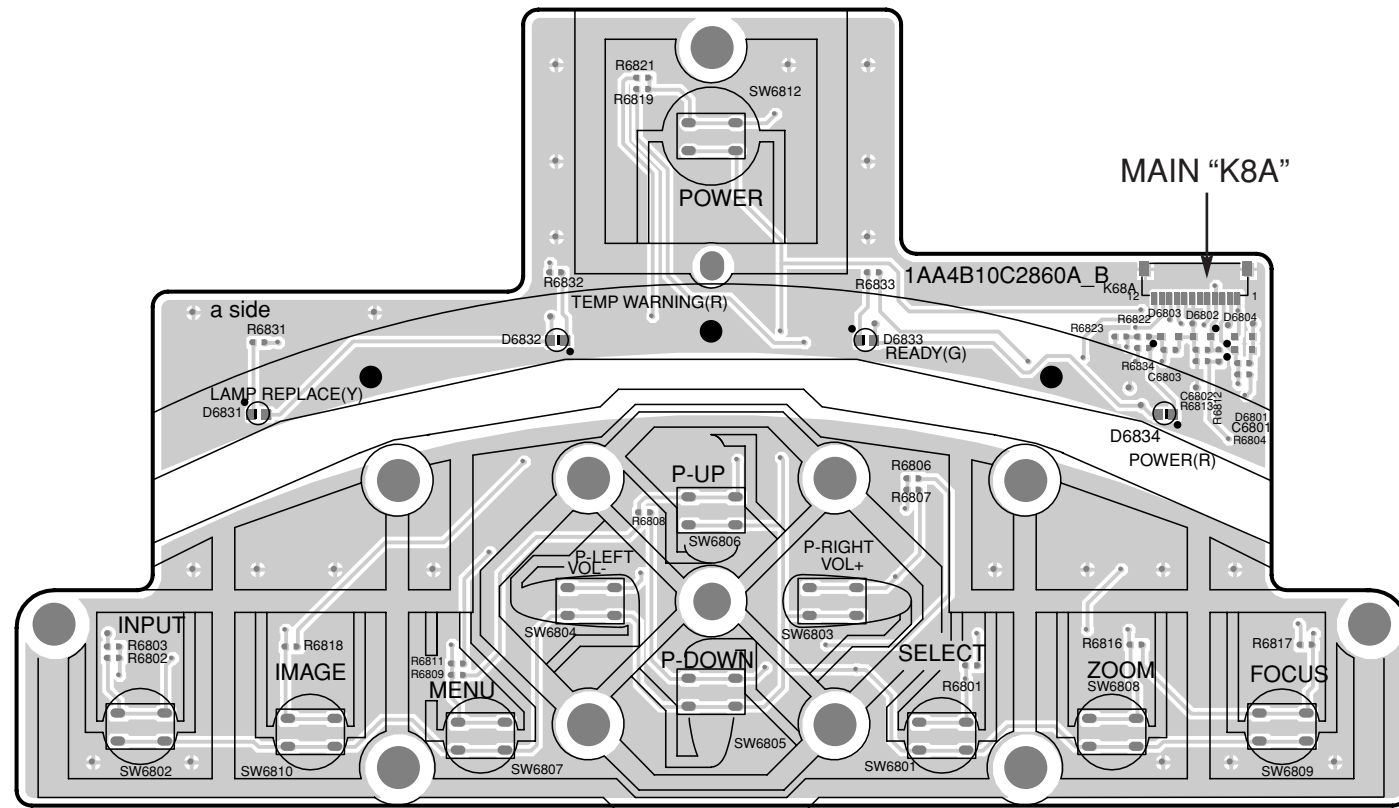


POWER (SIDE:A)

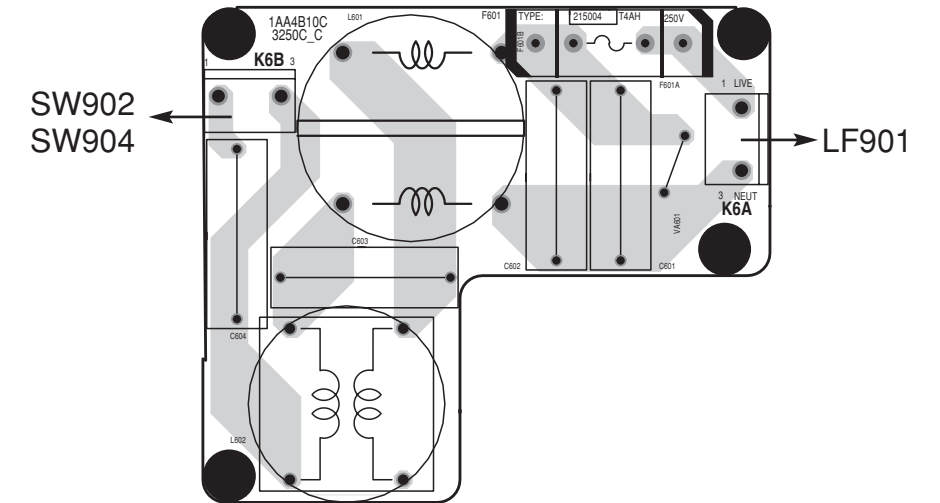
POWER (SIDE:B)



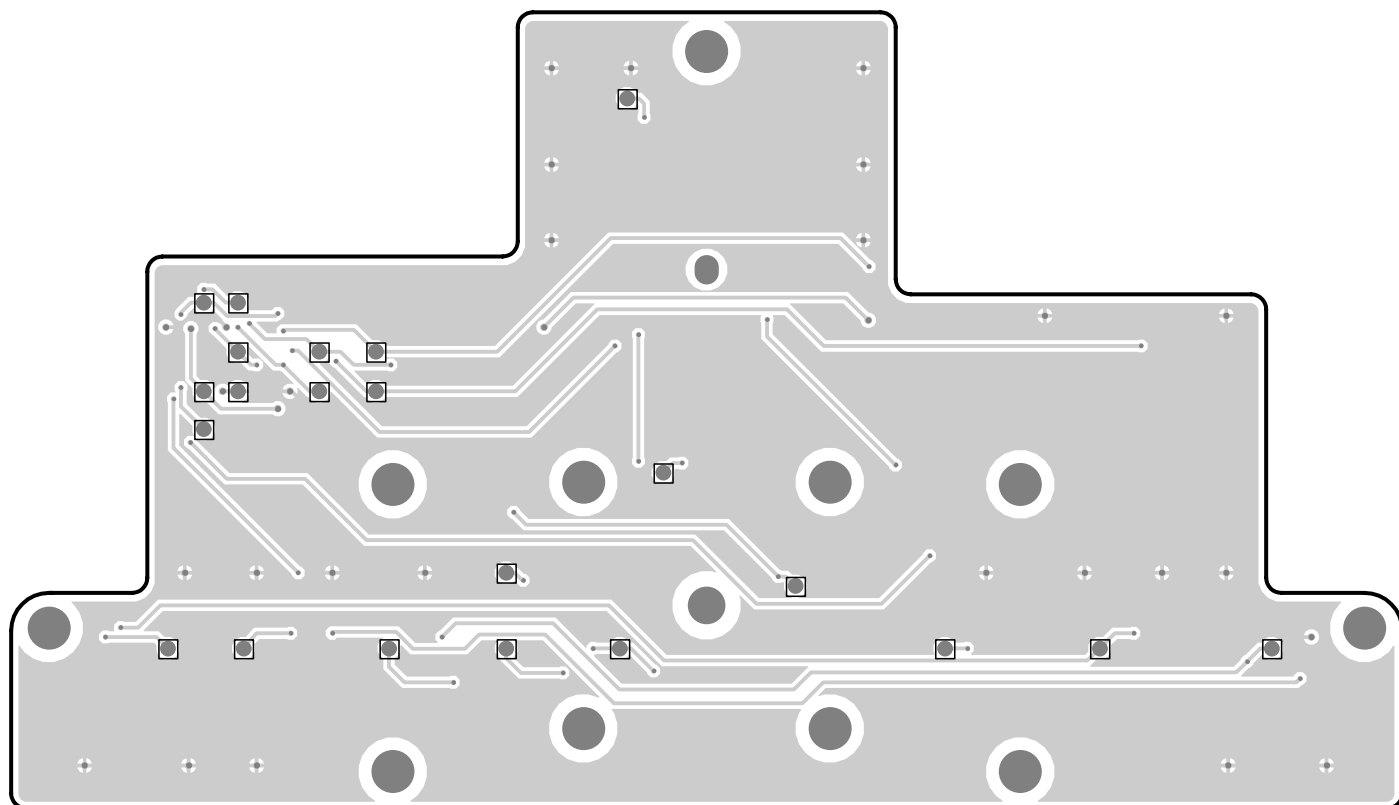
KEY SW (SIDE:A)



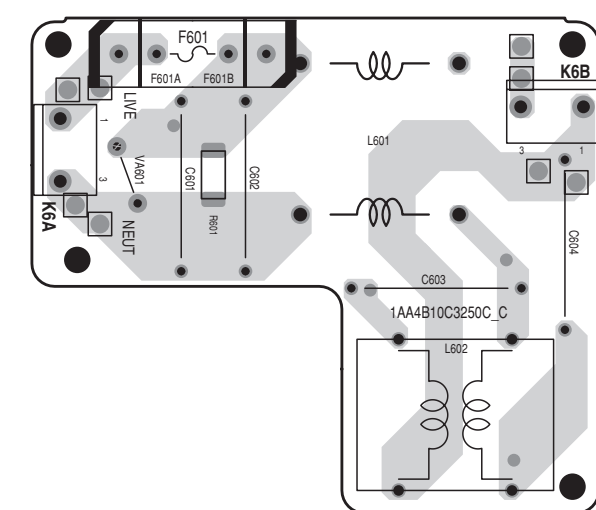
LINE FILTER (SIDE:A)



KEY SW (SIDE:B)

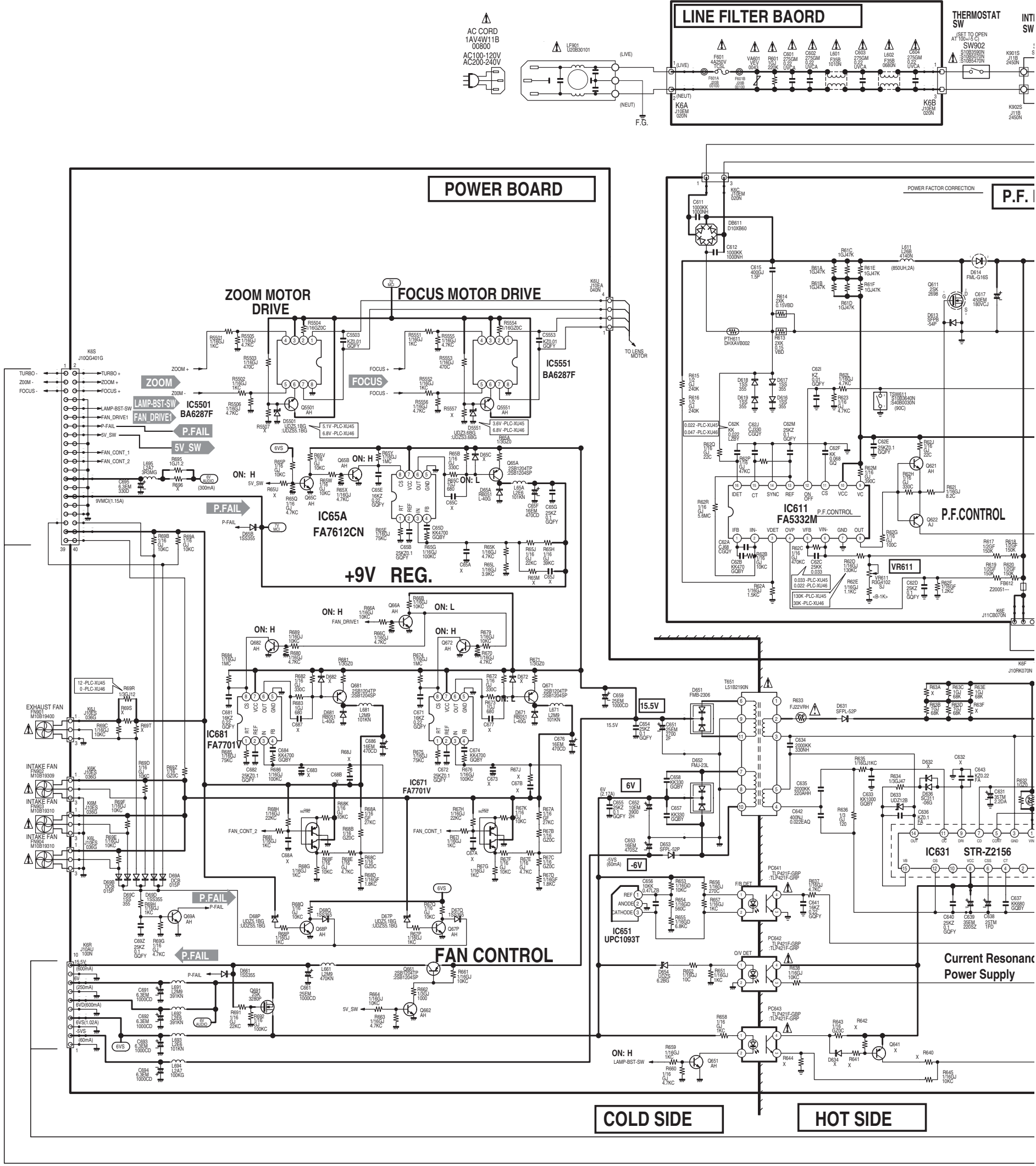


LINE FILTER (SIDE:B)



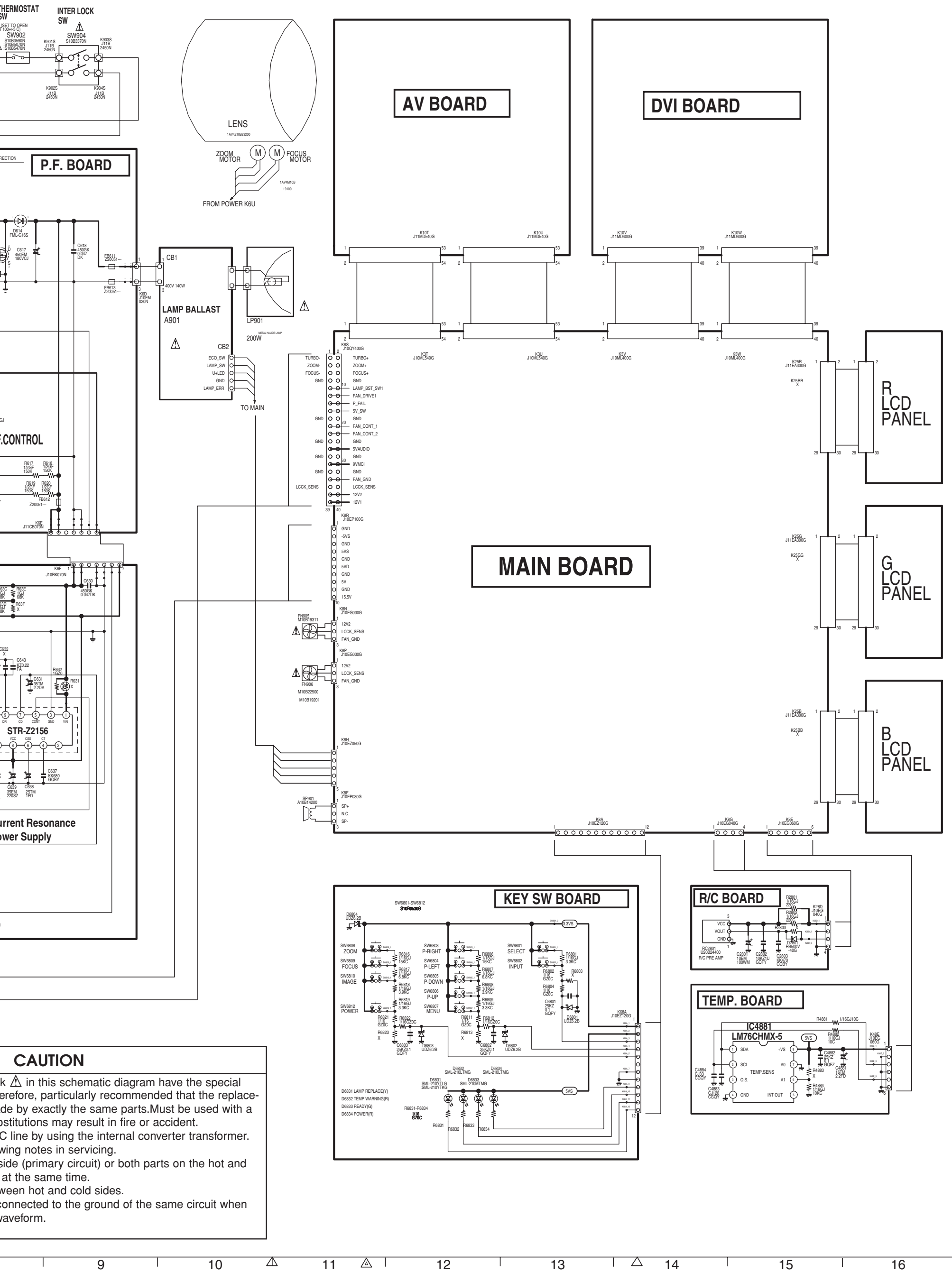
Schematic Diagrams

A
B
C
D
E
F
G
H
I
J
K
L



CAUTION:
Fuse must be used with the specified part number.
Unauthorized substitutions may result in fire or accident.

CAUTION:
Components indicated by a mark Δ in this schematic diagram are of special significance in the safety. It is therefore, particularly important that those parts must be made by exactly the specified fuse. Unauthorized substitutions may result in fire or accident.
This projector is isolated from AC line by using a transformer. Please pay attention to the following notes in the operation:
1. Do not touch the part on hot side (primary circuit) and cold sides (secondary circuit) at the same time.
2. Do not shorten the circuit between hot and cold sides.
3. The grounding lead must be connected to the earth ground when measuring the voltages and waveform.



A
B
C
D
E
F
G
H
I
J
K

CAUTION

⚠ In this schematic diagram have the special warning symbol, therefore, particularly recommended that the replacement be by exactly the same parts. Must be used with a caution. Substitutions may result in fire or accident.

Work on this line by using the internal converter transformer. Follow the following notes in servicing.

Work on the inside (primary circuit) or both parts on the hot and cold at the same time.

Work on the inside (primary circuit) or both parts on the hot and cold at the same time.

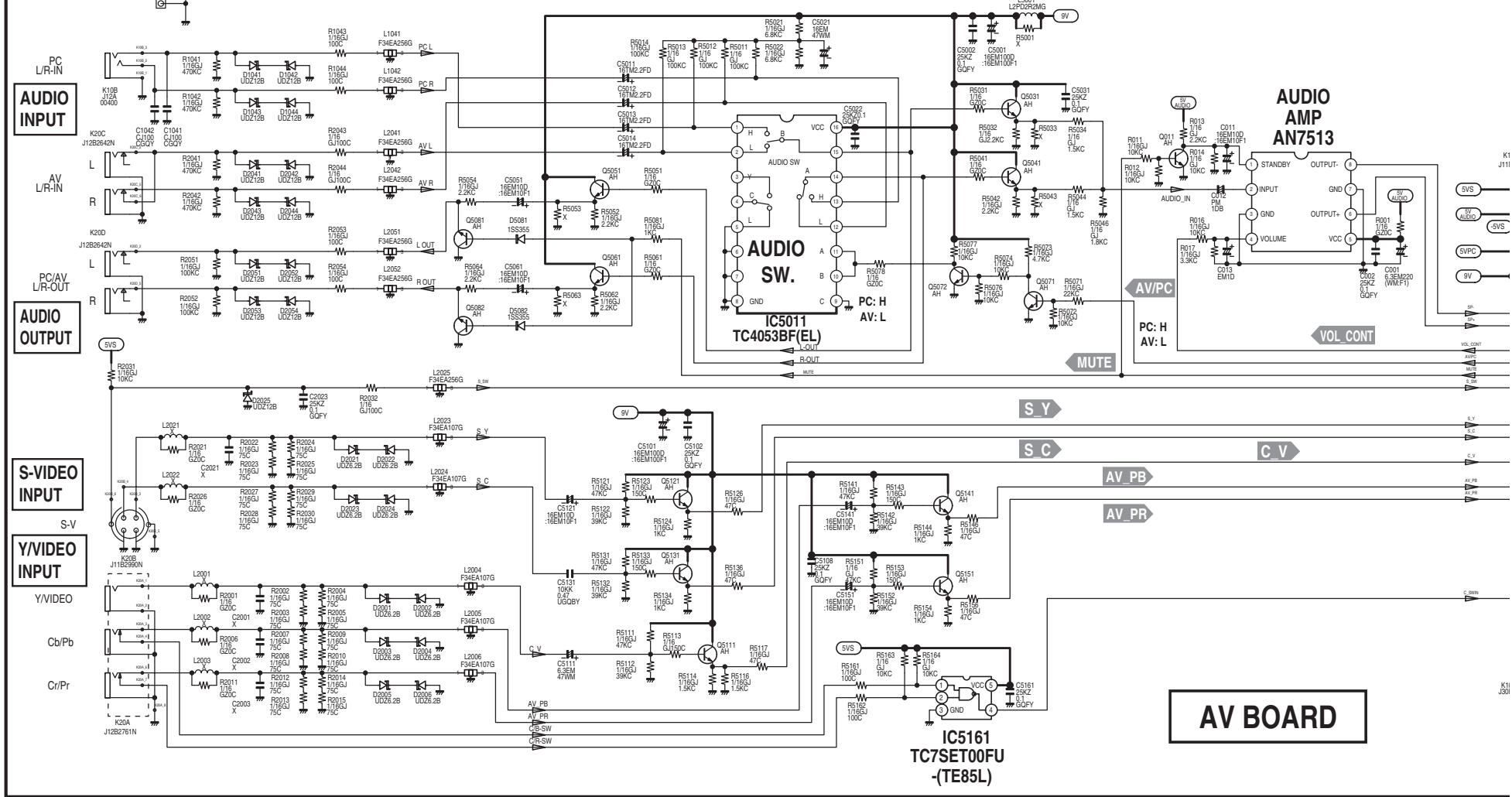
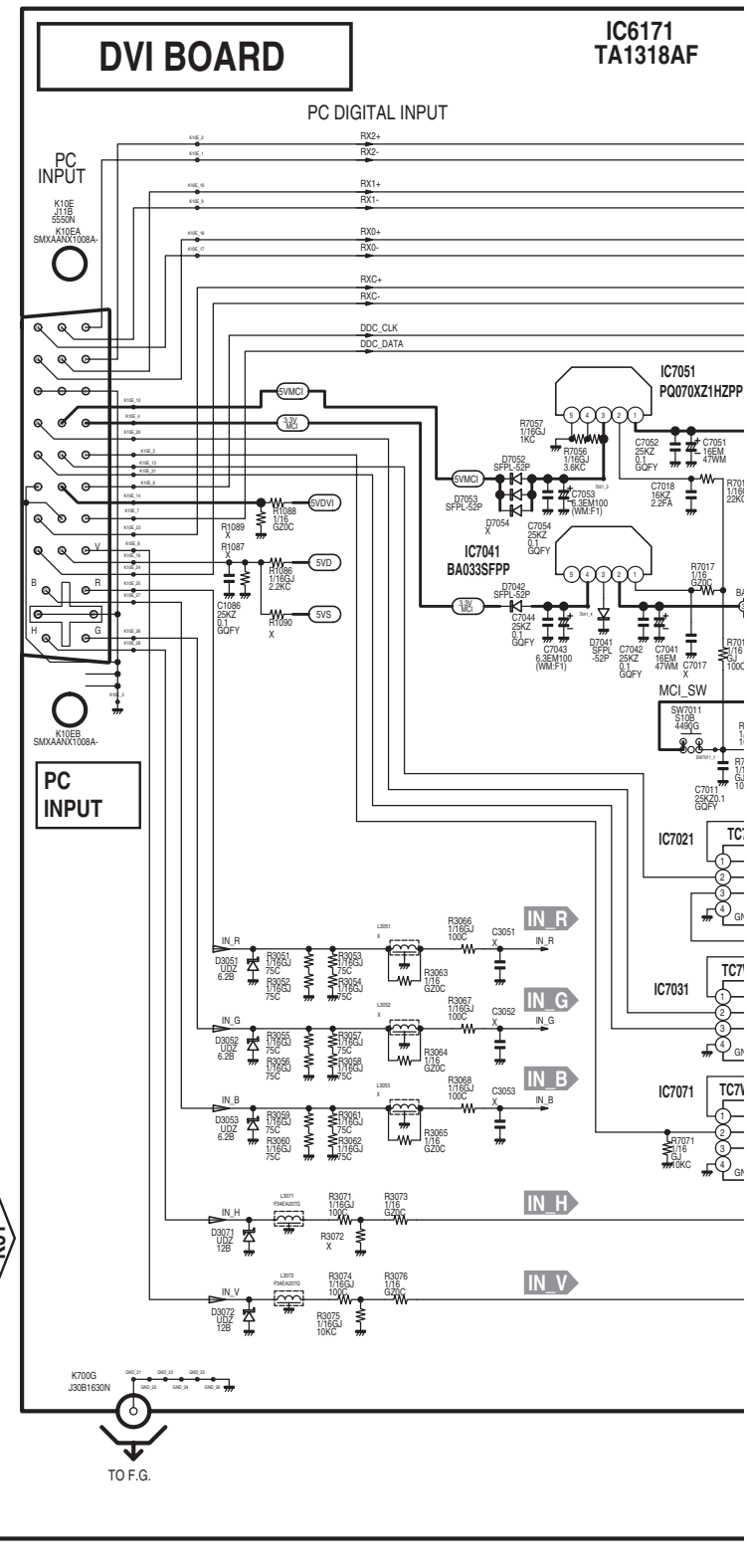
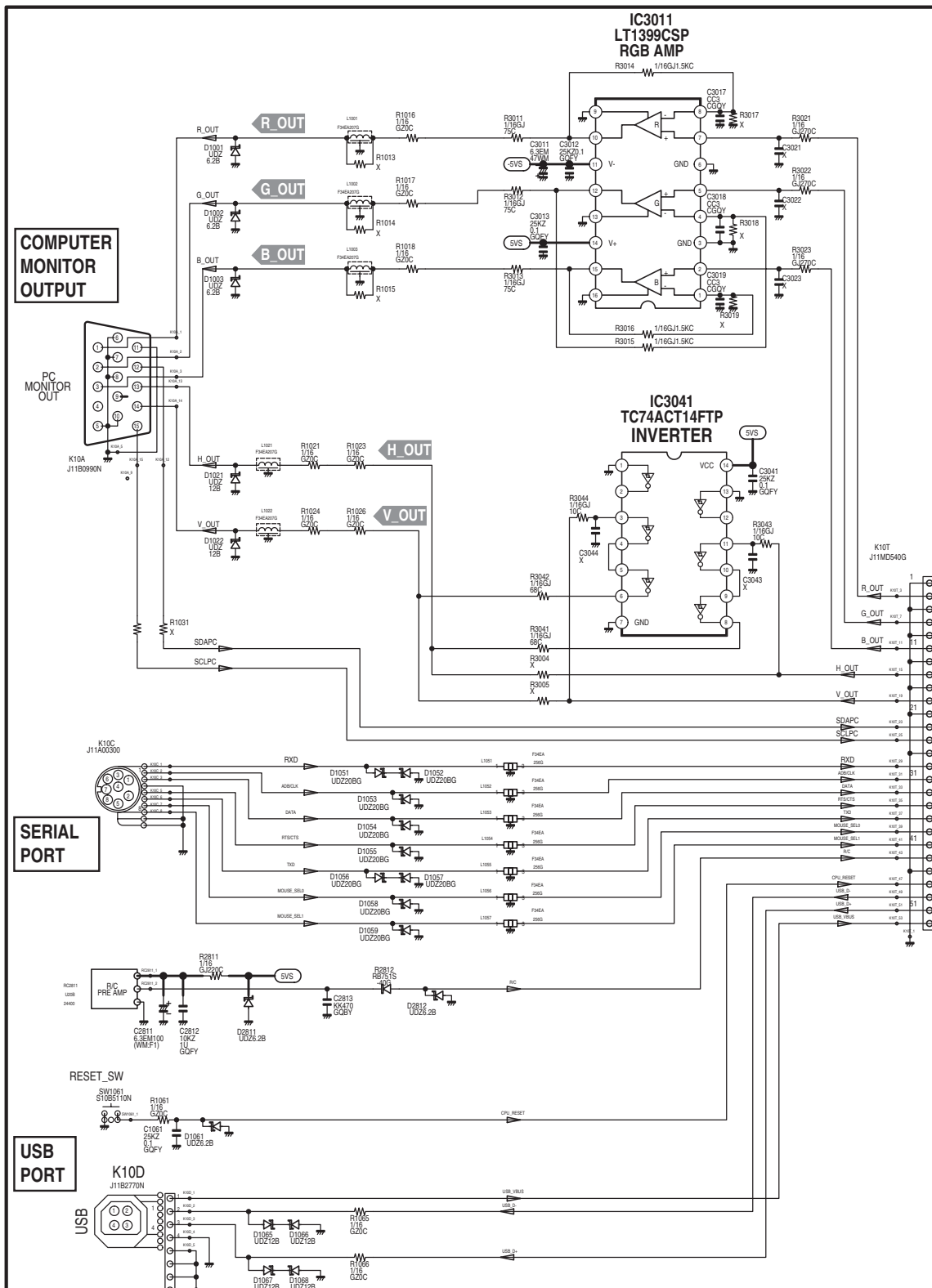
Work on the inside (primary circuit) or both parts on the hot and cold at the same time.

Work on the inside (primary circuit) or both parts on the hot and cold at the same time.

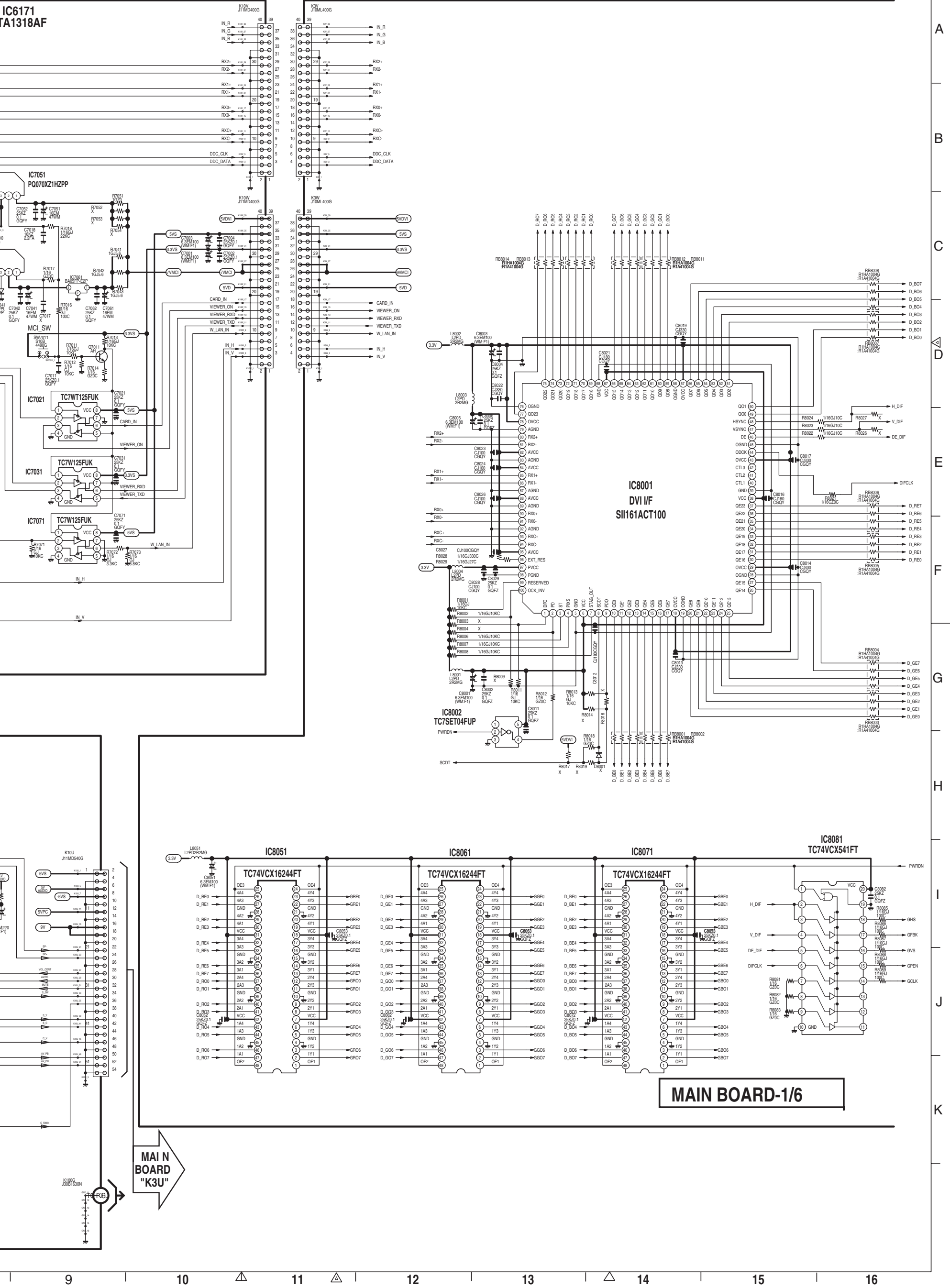
Work on the inside (primary circuit) or both parts on the hot and cold at the same time.

Work on the inside (primary circuit) or both parts on the hot and cold at the same time.

A
B
C
D
E
F
G
H
I
J
K
L



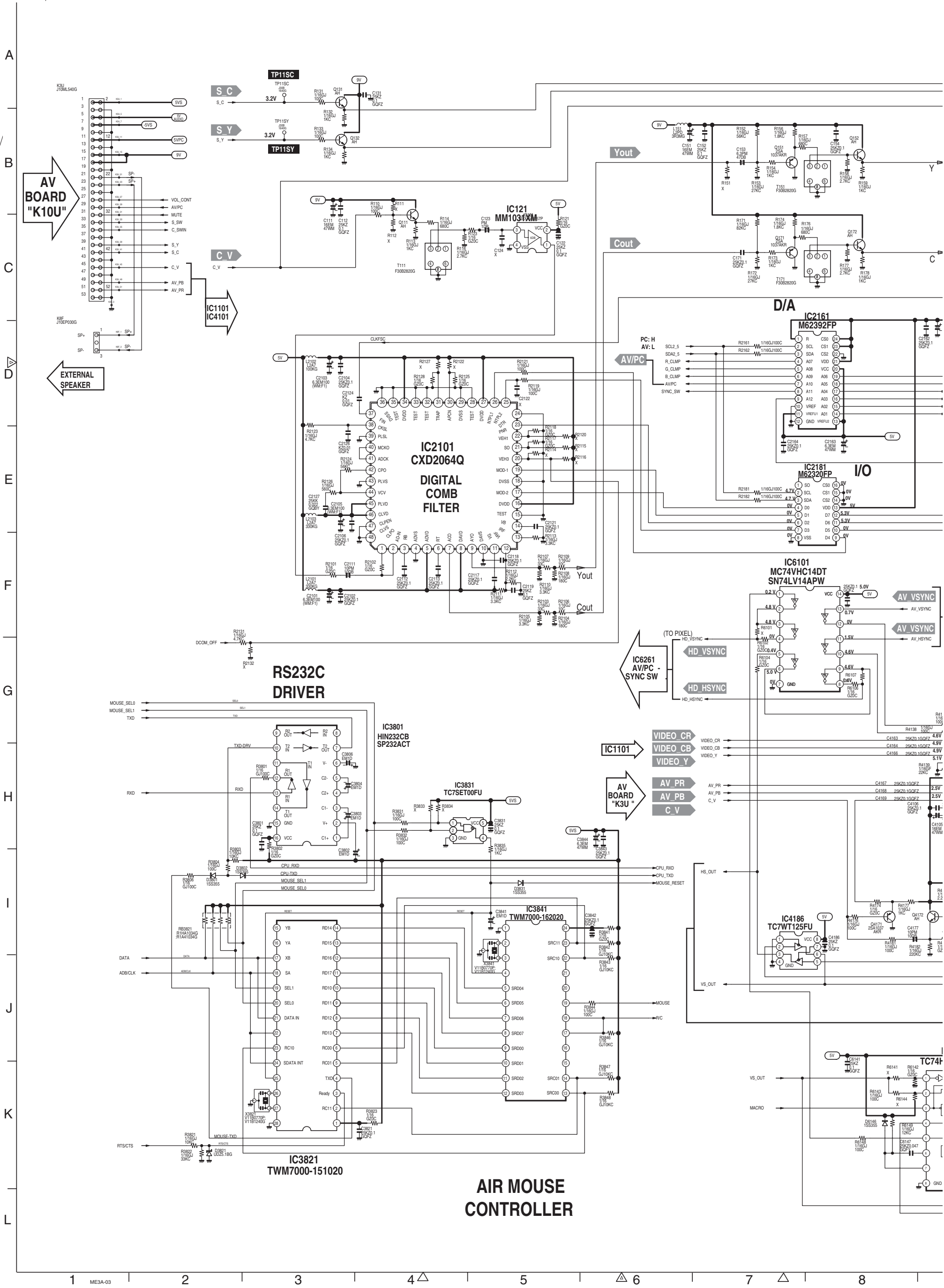
1 ME3A-02 2 3 4 5 6 7 8

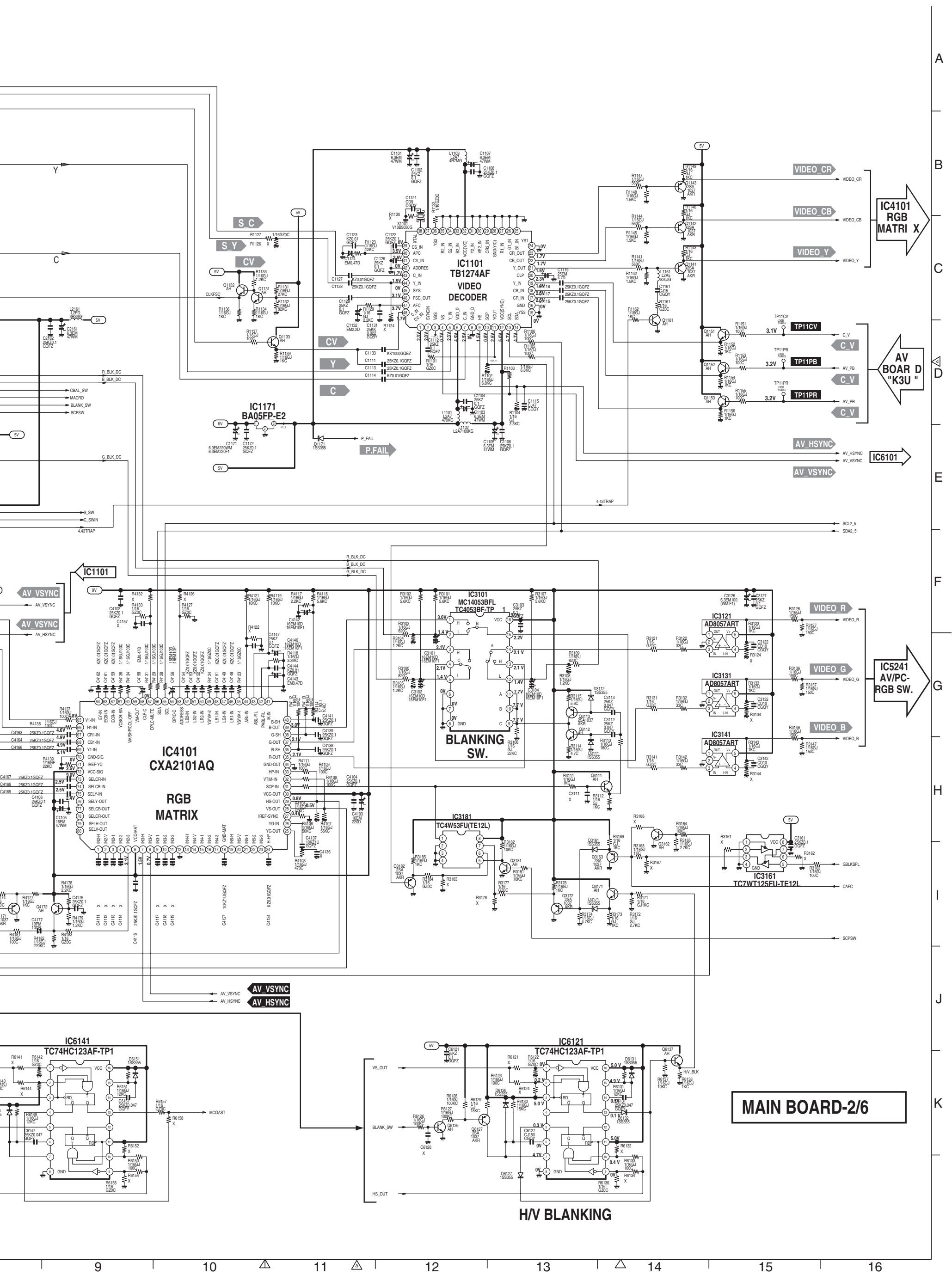


A
B
C
D
E
F
G
H
I
J
K

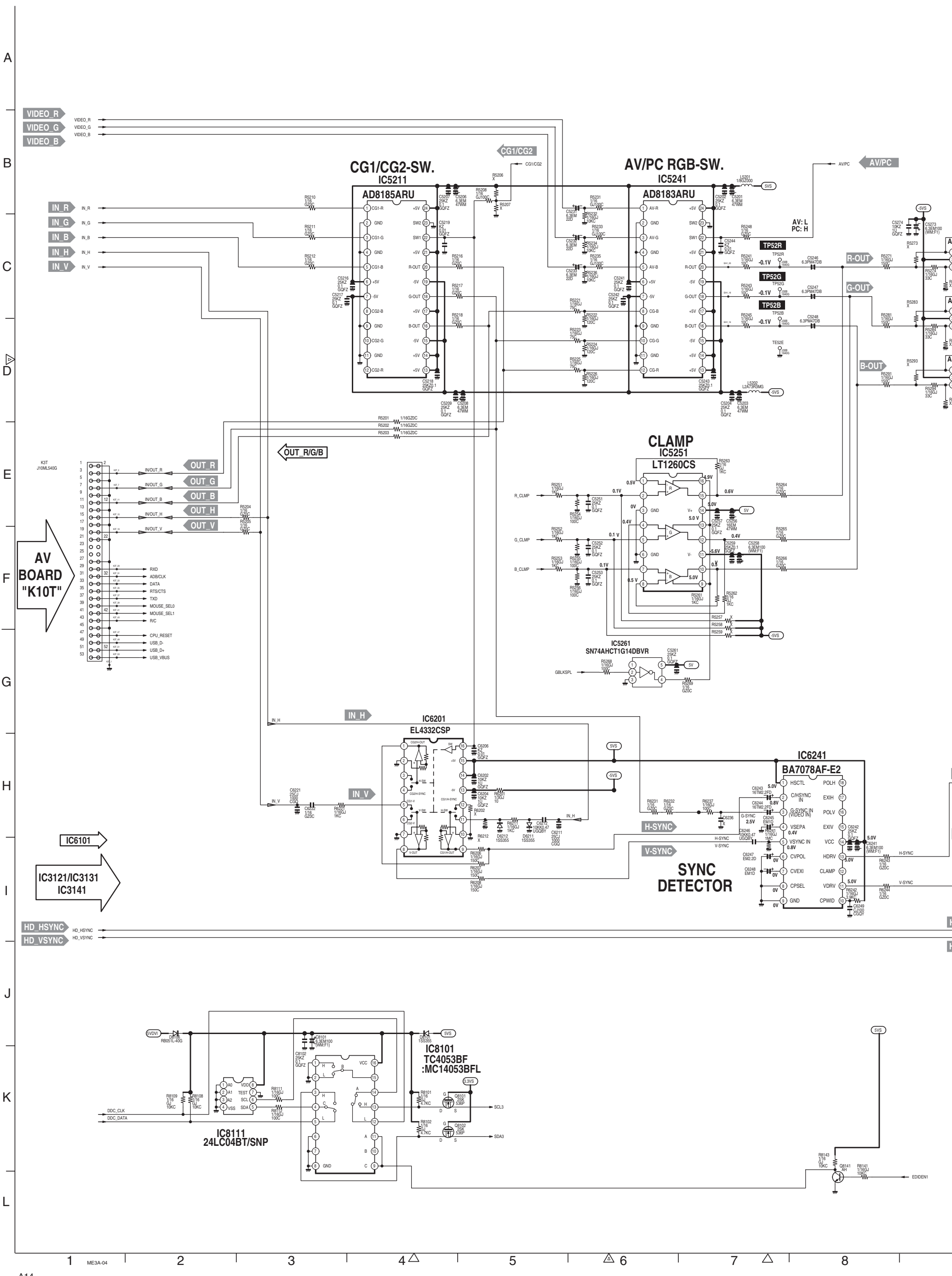
MAIN BOARD-1/6

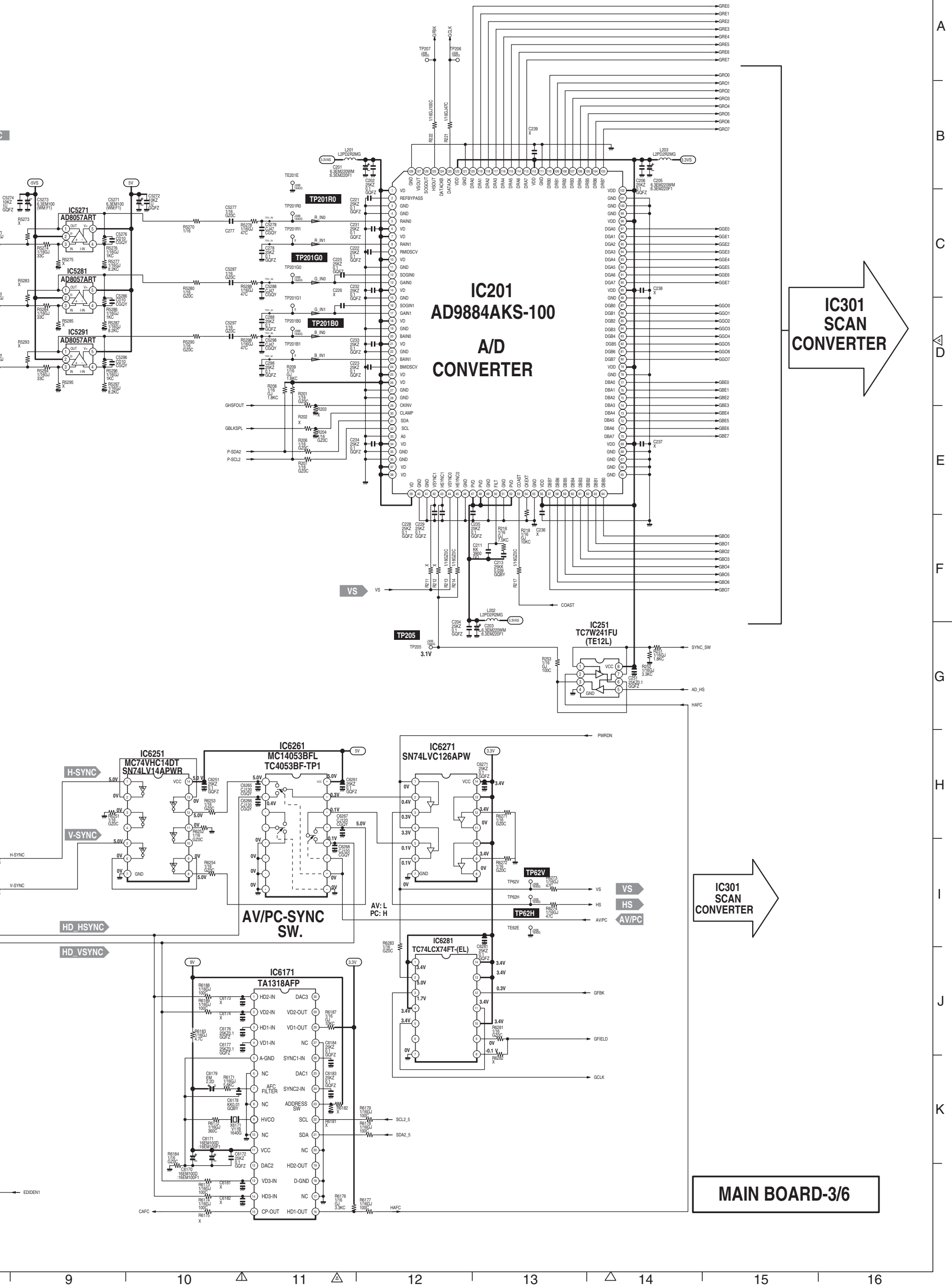
MAI N BOARD "K3U"

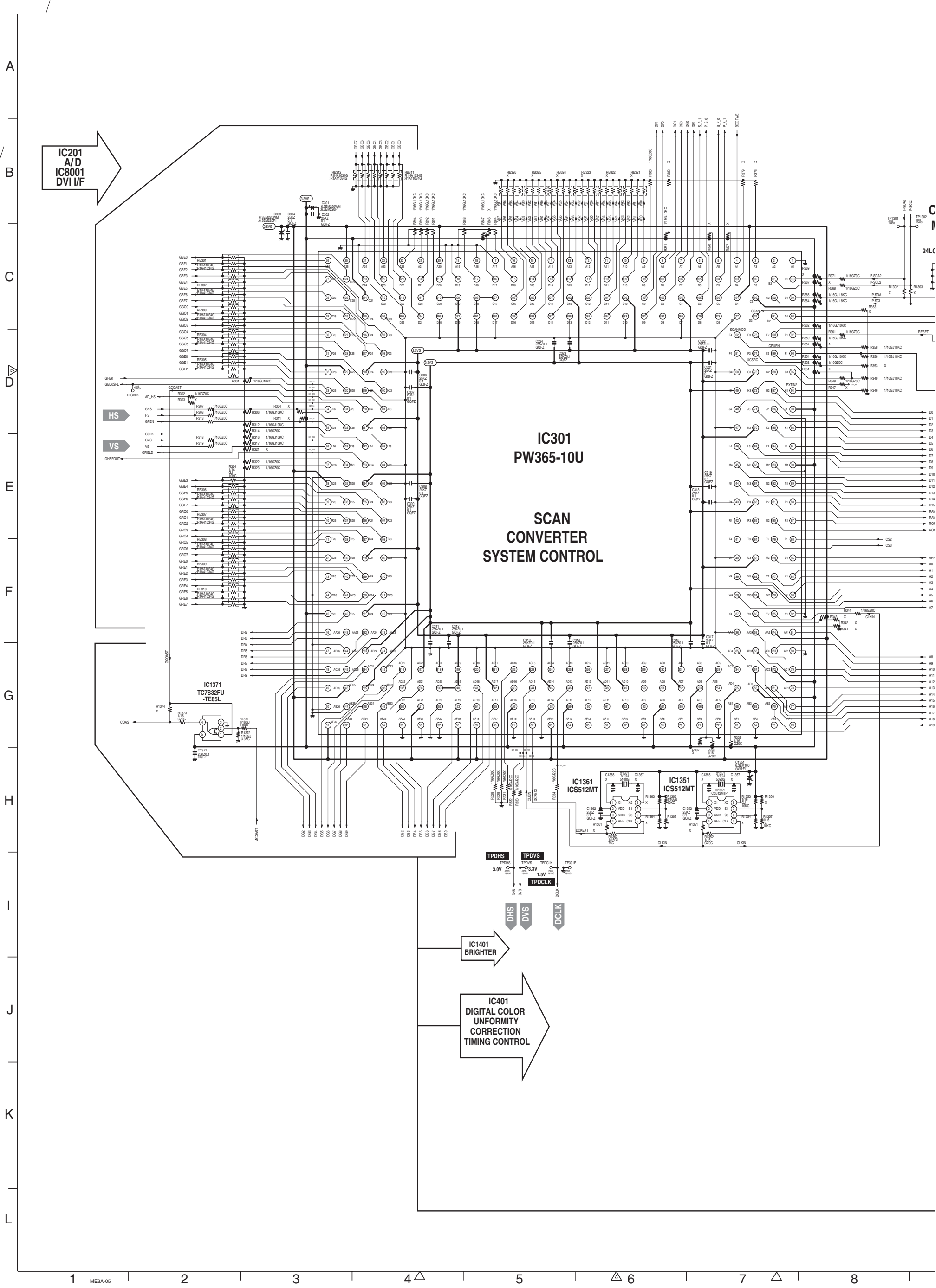


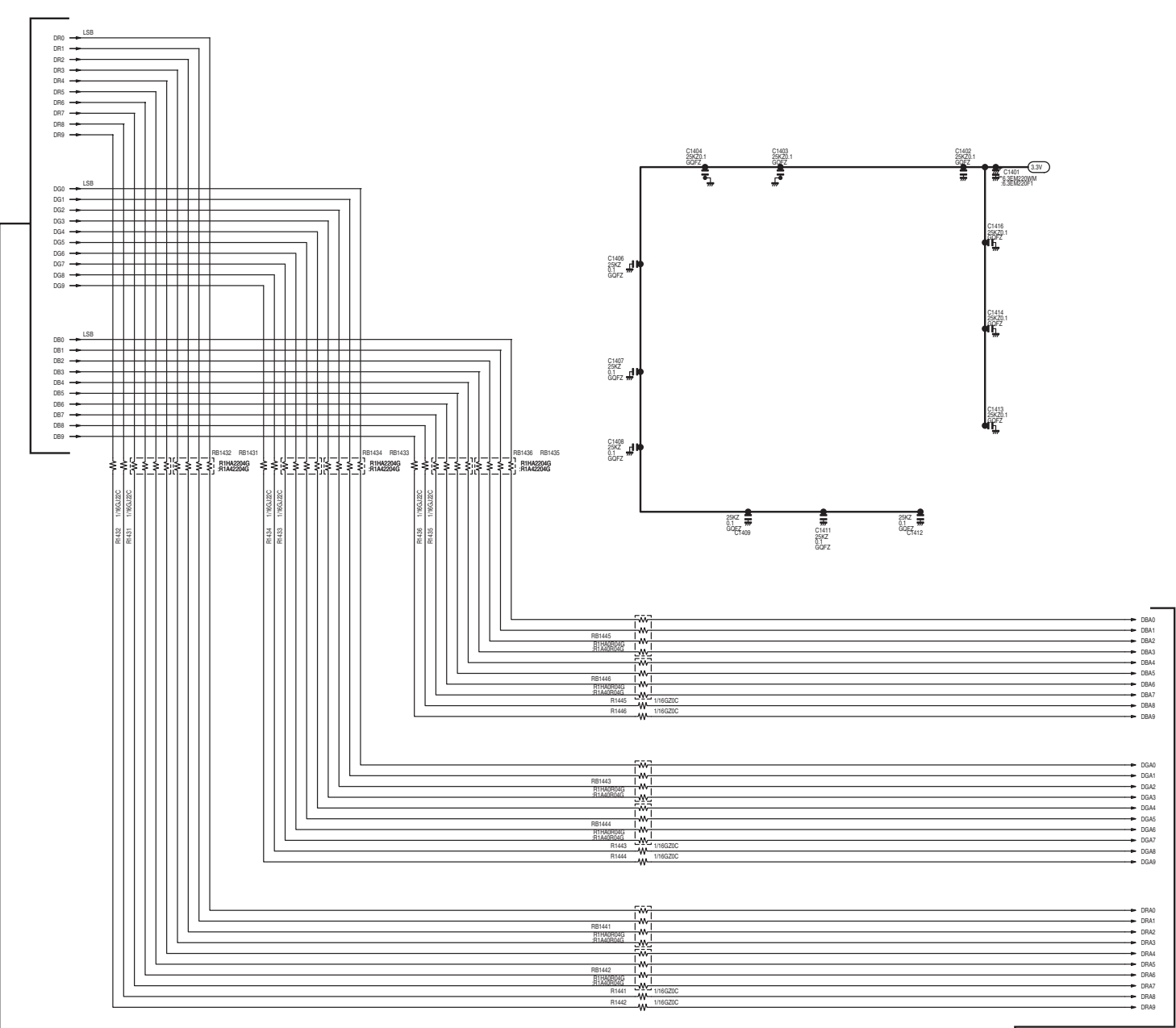
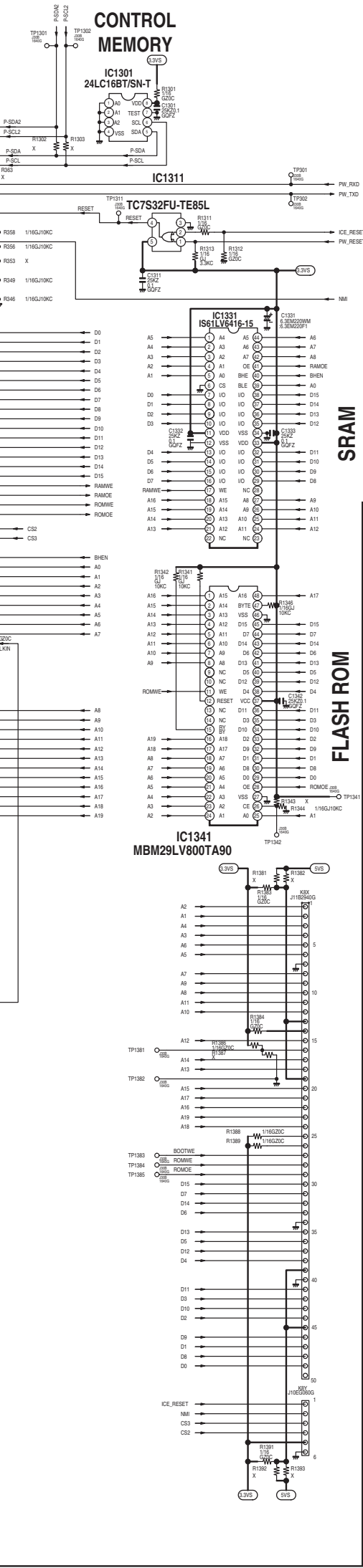


9 10 11 12 13 14 15 16



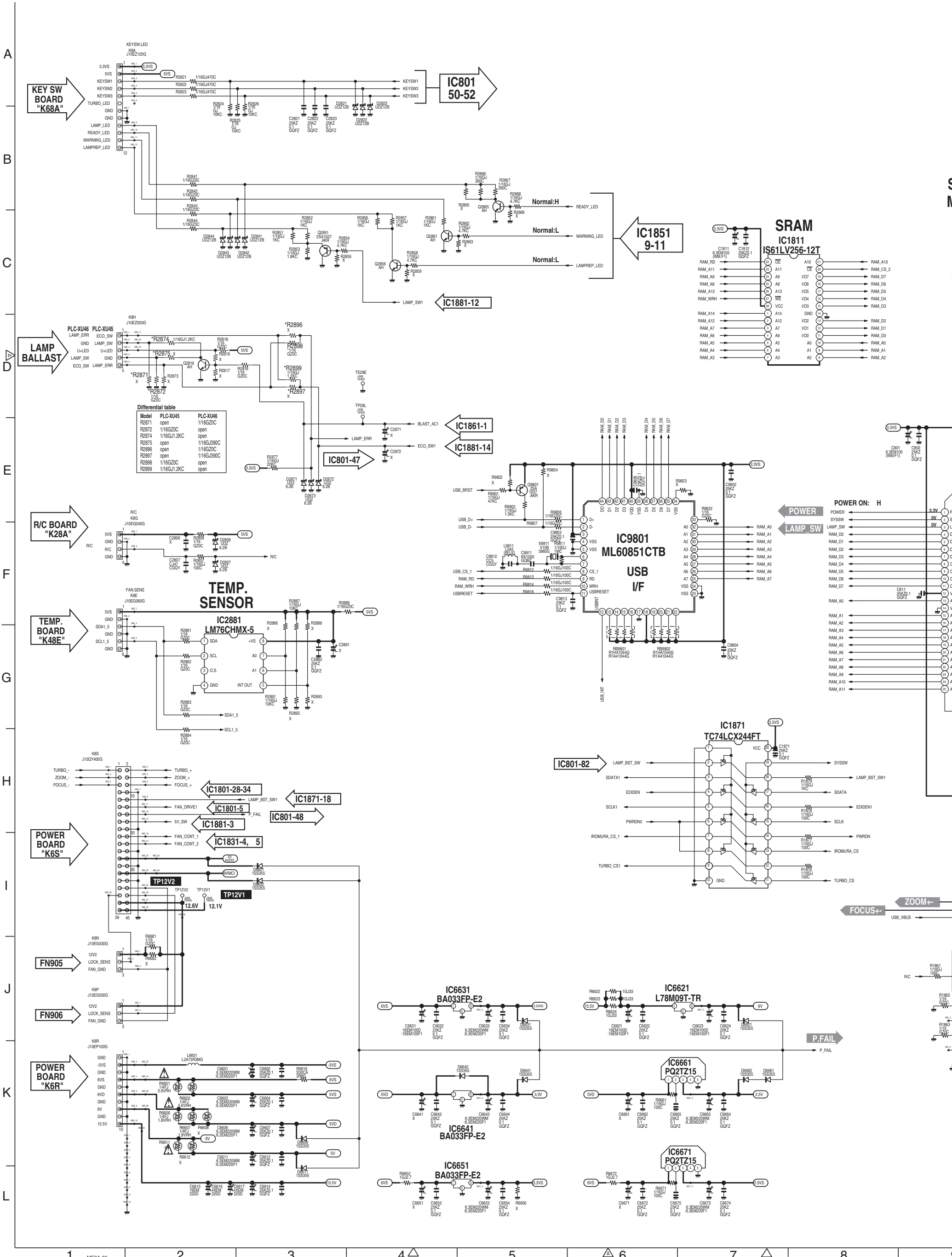




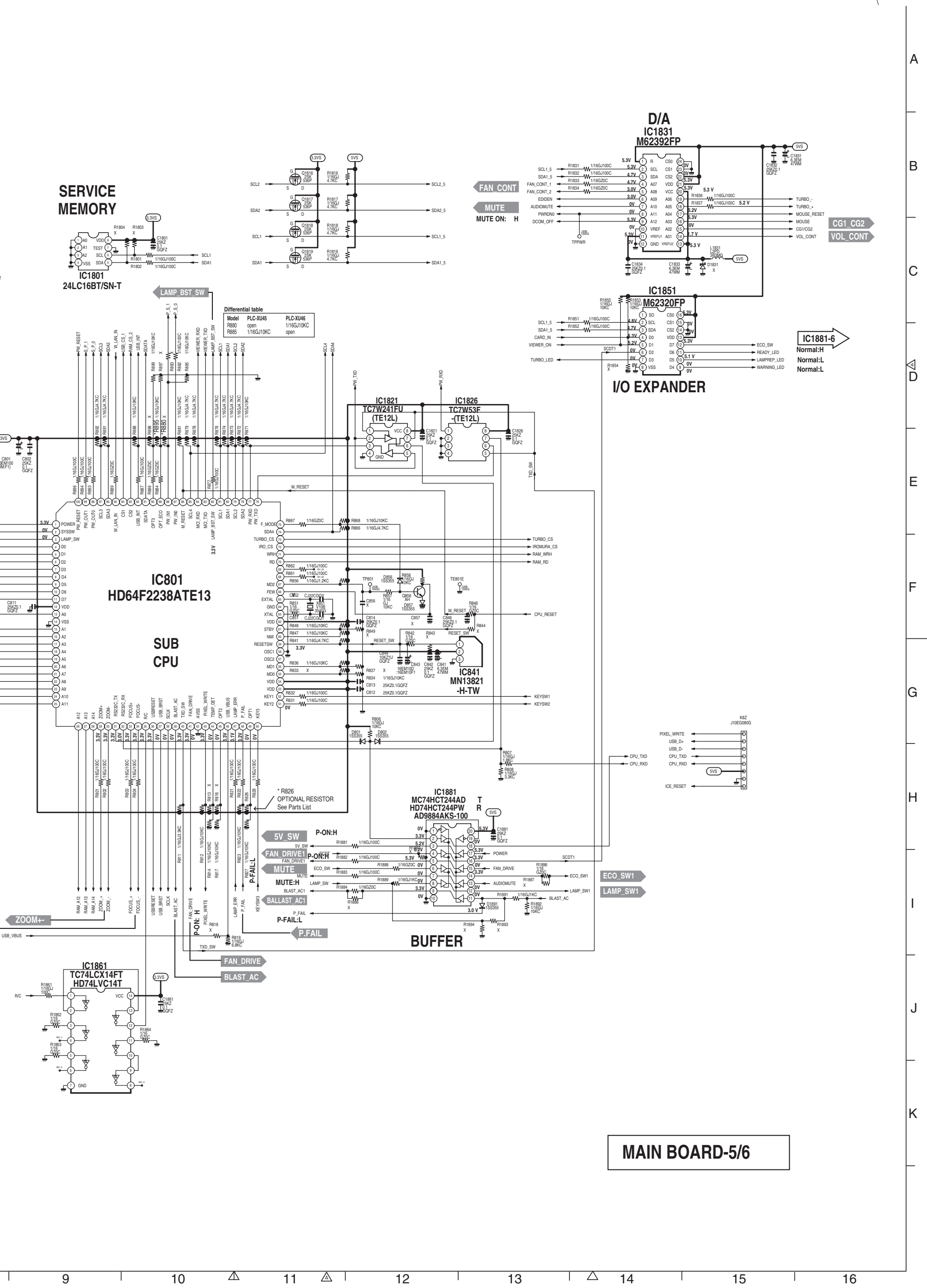


MAIN BOARD-4/6

9 10 11 12 13 14 15 16



A16

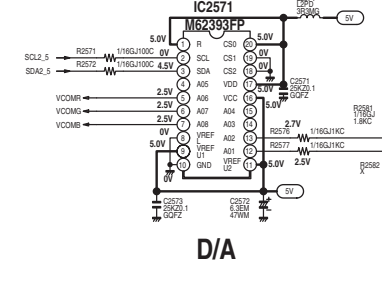
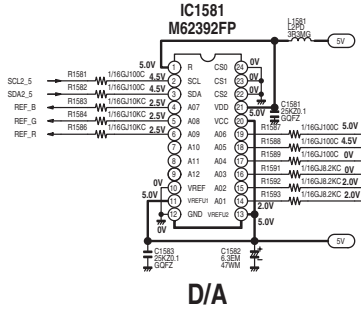
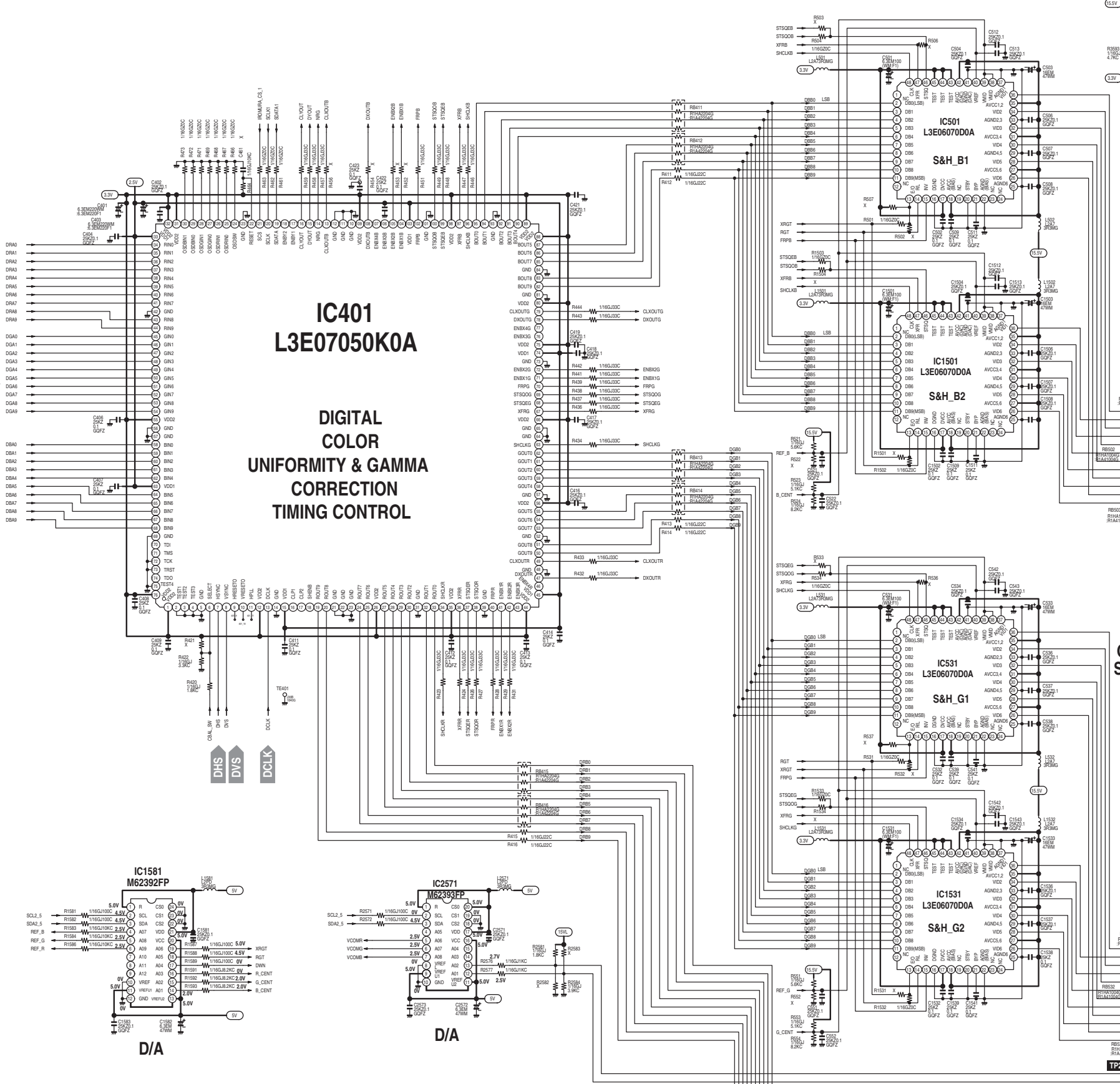


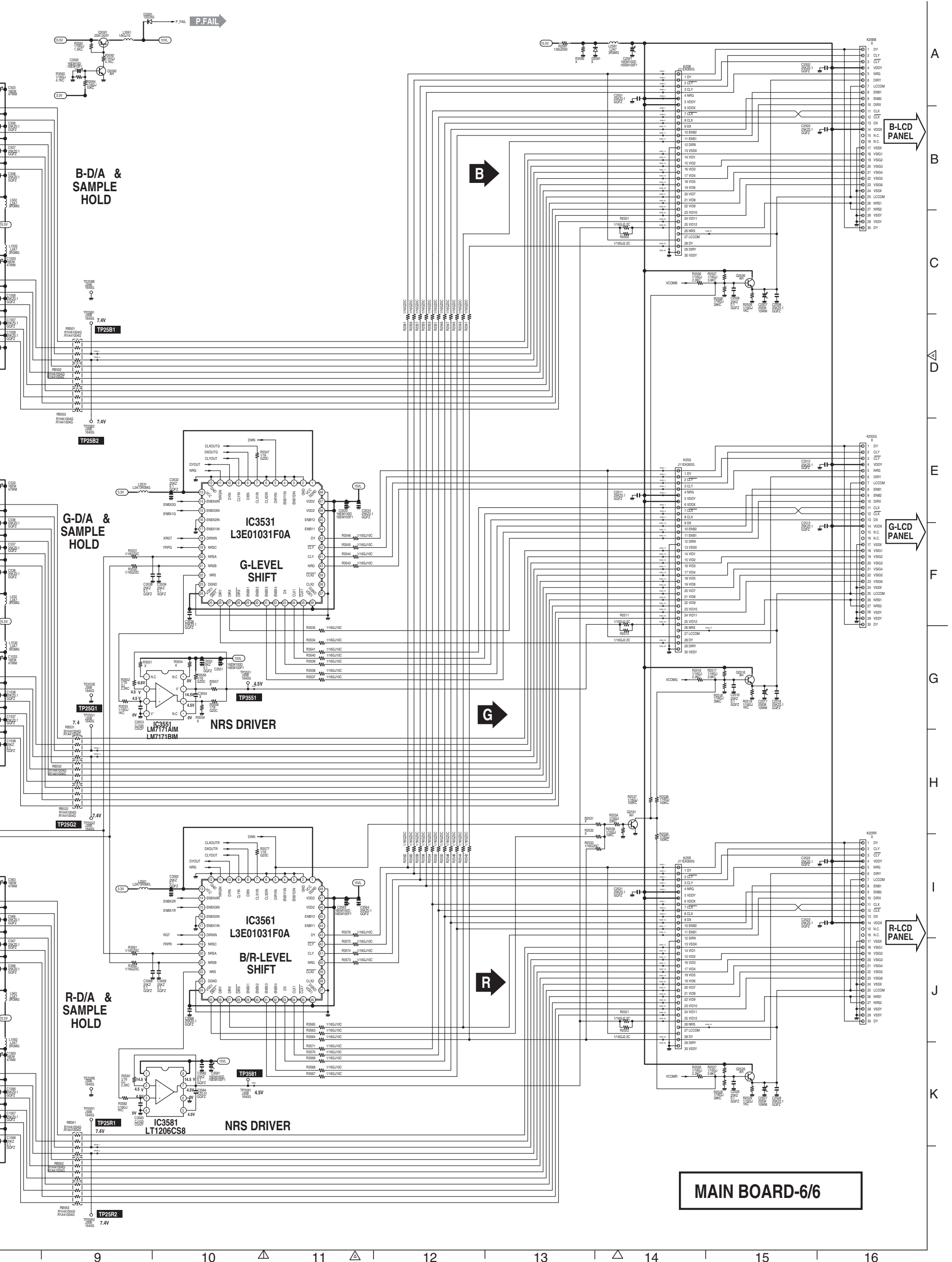
MAIN BOARD-5/6

A
B
C
D
E
F
G
H
I
J
K
L

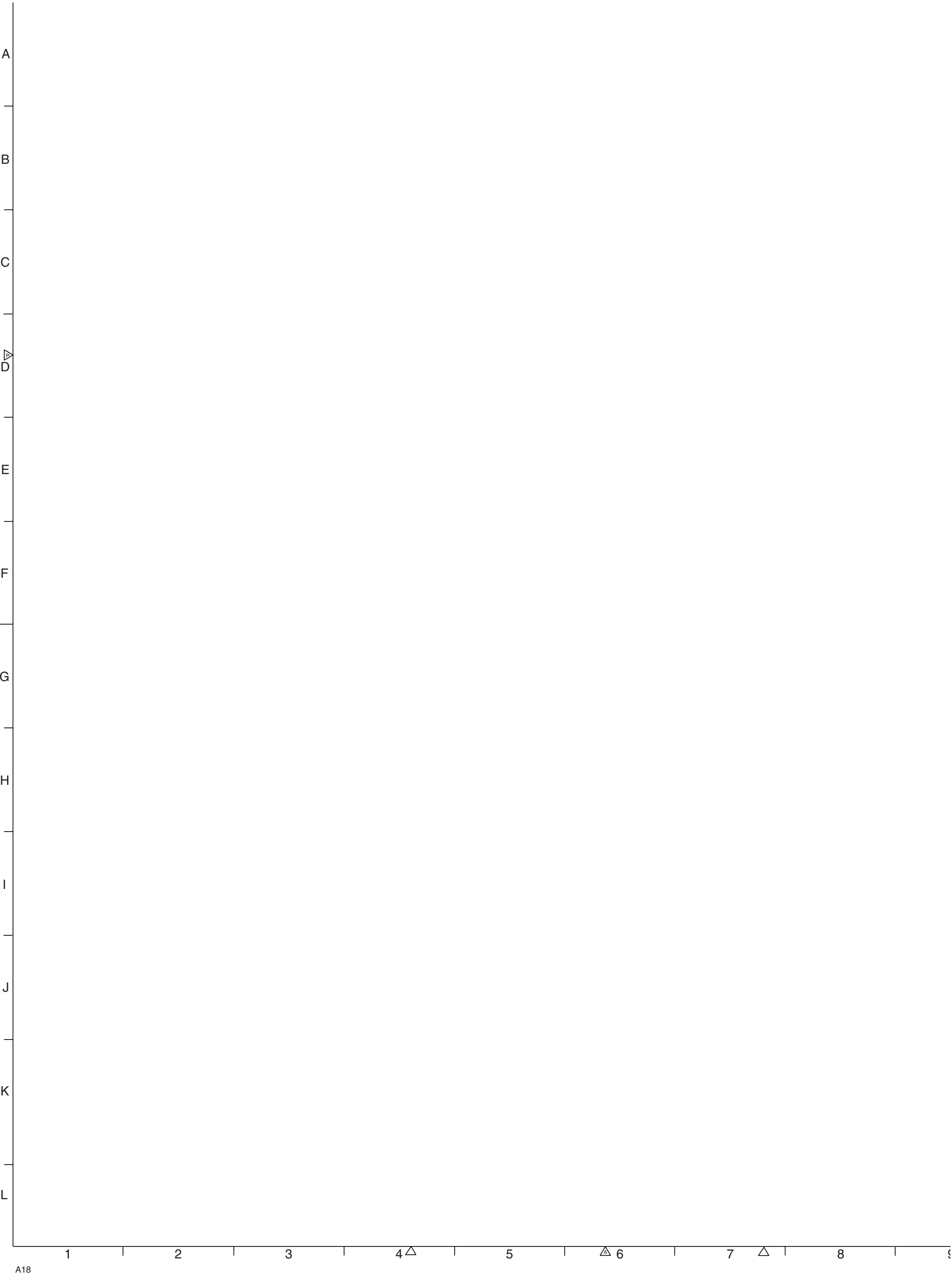
IC301
SCAN
CONVERTER
IC1401
DIGITAL
BRIGHTER

**IC401
L3E07050K0A**
**DIGITAL
COLOR
UNIFORMITY & GAMMA
CORRECTION
TIMING CONTROL**





MAIN BOARD-6/6



A18

A

B

C

D

E

F

G

H

I

J

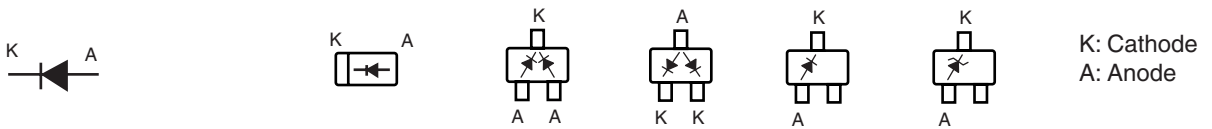
K

9 10 11 12 13 14 15 16

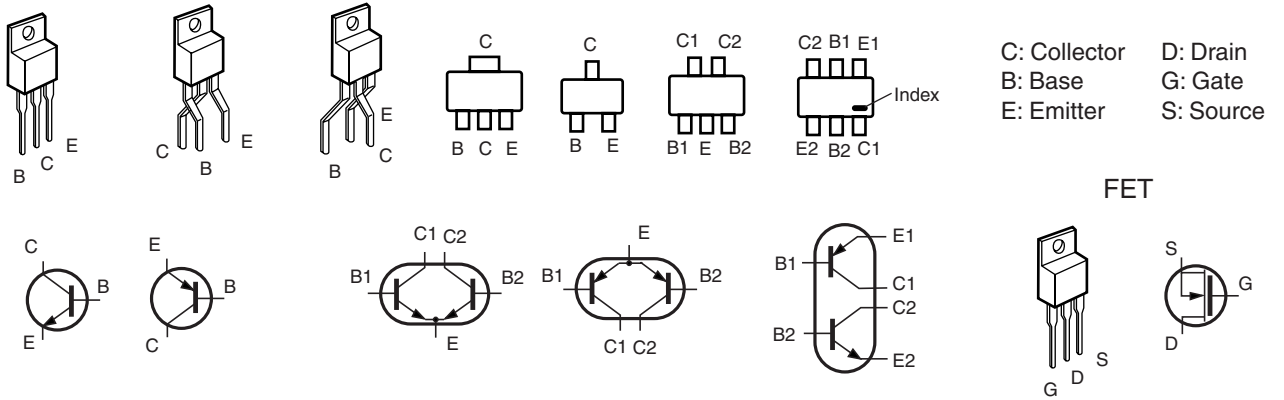
SCH_ME3A

Pin description of diode, transistor and IC

● Diode



● Transistor/FET



● IC

