

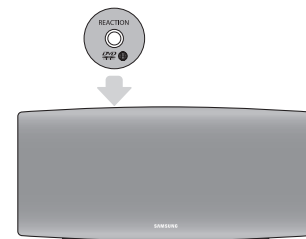
quick start guide

- 1 disc playback
- 2 remote control functions
- 3 connecting the speakers
- 4 connecting the video out to your tv
- 5 connecting audio from external components
- 6 listening to radio

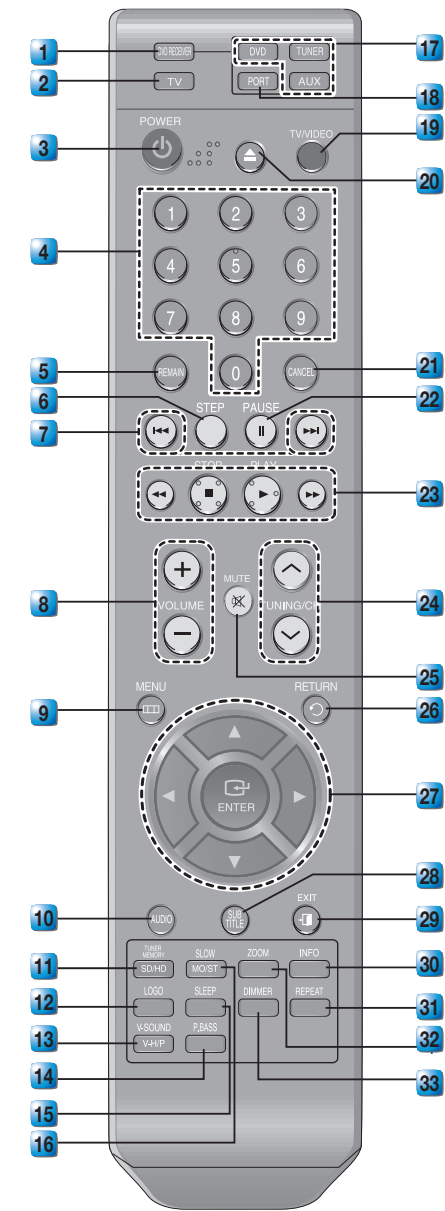
2.1CH Digital Home Cinema System HT-A100 HT-A100C HT-A100W

1 disc playback

1. Load a disc vertically into the Disc Insert Hole.
 - Place a disc gently into the tray with the disc's label facing up.
2. Close the compartment by pressing the **PLAY** (▶) button.
 - Playback starts automatically.



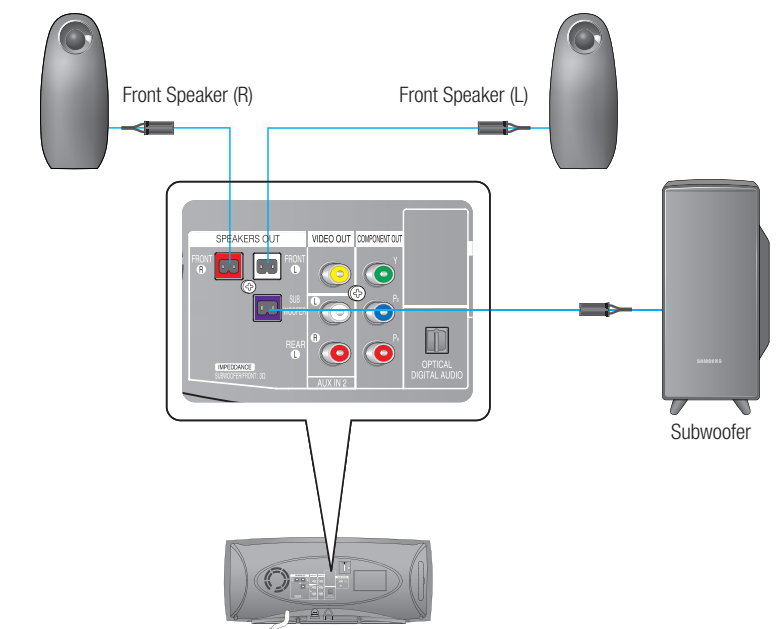
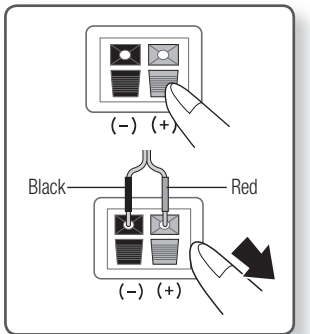
2 remote control functions



- | | |
|--|-----------|
| 1 DVD RECEIVER button
You can operate your DVD receiver with the remote control. | 17 |
| 2 TV button
You can operate your Samsung TV with the remote control. | 18 |
| 3 POWER button
Press to turn the Home Cinema or your Samsung TV On/Off. | 19 |
| 4 Number (0-9) buttons | 20 |
| 5 REMAIN button
For checking the total and remaining time of a title or chapter being played. | 21 |
| 6 STEP button
The picture moves forward one frame each time the button is pressed during playback. | 22 |
| 7 Tuning Preset/CD Skip buttons
Tune in radio broadcasting, skip the song/scene. | 23 |
| 8 VOLUME button
Press + to raise the volume and - to lower it. | 24 |
| 9 MENU button
Press to see the menu. | 25 |
| 10 AUDIO button
Selects the disc Audio language. | 26 |
| 11 TUNER MEMORY, SD/HD button
Press to memorize radio frequencies. Press to select SD or HD mode. | 27 |
| 12 LOGO button
COPY LOGO DATA will be displayed on the TV screen. | 28 |
| 13 V-SOUND(Virtual Sound), V-H/P(Virtual Headphone) button | 29 |
| 14 P.BASS button
Select the level of low tones you desire. | 30 |
| 15 SLEEP button
Press to set the sleep off time. | 31 |
| 16 SLOW button
Selects three different slow motion playback speeds. | 32 |
| MO/ST button
You can listen to radio broadcasts in MONO or STEREO. | 33 |
-
- | | |
|--|-----------|
| 18 PORT button
Press to select the USB mode. | 17 |
| 19 TV/VIDEO button
Press to select TV in VIDEO mode. | 18 |
| 20 EJECT button | 19 |
| 21 CANCEL button
Used to cancel a wrong entry. | 20 |
| 22 PAUSE button
Press to pause. | 21 |
| ▶ PLAY button
Press to play or pause. | 22 |
| ■ STOP button
Press to stop. | 23 |
| ◀▶ SEARCH buttons
Fast backward or forward through a song/scene. | 24 |
| TUNING/CH button
Press to select the channel or to tune in radio broadcasting. | 25 |
| MUTE button
Press to mute the sound. | 26 |
| RETURN button
Press to return to the previous menu. | 27 |
| Cursor/Enter button
Used to select or move up/down, left/right when setting the menu function. | 28 |
| SUBTITLE button
Selects the disc subtitle language. | 29 |
| EXIT button
Press to exit the setup screen. | 30 |
| INFO button
View or change disc playback information on screen. | 31 |
| REPEAT button
Repeat playback of a chapter, title, group or track. | 32 |
| ZOOM button
Enlarges the picture during disc playback. | 33 |
| DIMMER button
The front display brightness will be adjusted. | |
-
- | | |
|---|-----------|
| DVD button
Press to select the DVD mode. | 17 |
| TUNER button
Press to listen to radio broadcasting. | |
| AUX button
Press to select external audio input. | |

3 connecting the speakers

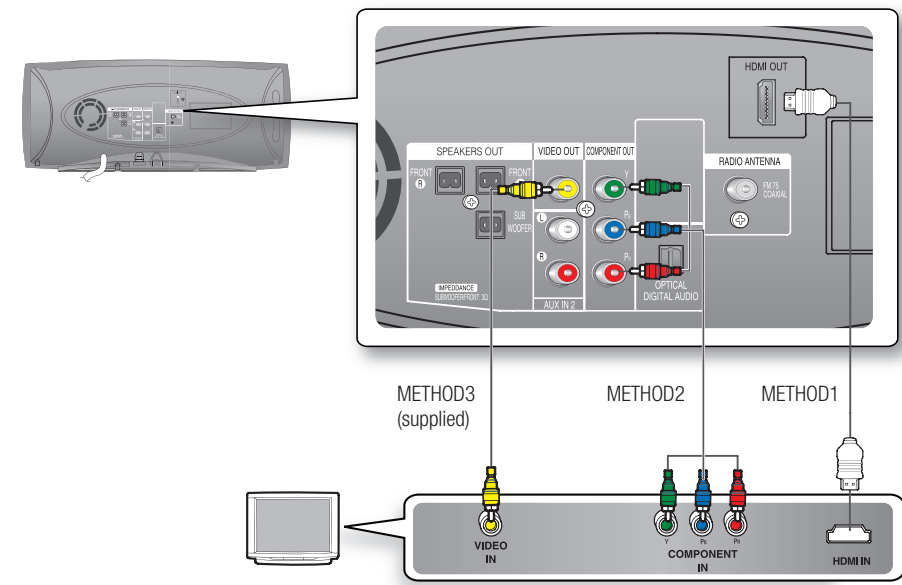
1. Press down the terminal tab on the back of the speaker.
2. Insert the black wire into the black terminal (-) and the red wire into the red (+) terminal, and then release the tab.
3. Connect the connecting plugs to the back of the Home Cinema.
 - Make sure the colors of the speaker terminals match the colors of the connecting plugs.



- ! Do not let children play with or near the speakers. They could get hurt if a speaker falls.
 - When connecting the speaker wires to the speakers, make sure that the polarity (+/-) is correct.
 - Keep the subwoofer speaker out of reach of children so as to prevent children from inserting their hands or alien substances into the duct (hole) of the subwoofer speaker.
 - Do not hang the subwoofer on the wall through the duct (hole).
-
- ✍ If you place a speaker near your TV set, screen color may be distorted because of the magnetic field generated by the speaker. If this occurs, place the speaker away from your TV set.

4 connecting the video out to your tv

Choose one of the four methods for connecting to a TV.



METHOD 1 : HDMI

Connect the HDMI cable from the HDMI OUT jack on the back of the DVD Home Cinema to the HDMI IN jack on your TV.

METHOD 2 : Component Video

If your television is equipped with Component Video inputs, connect a component video cable(not supplied) from the Component Video Output (Pr, Pb and Y) Connectors on the back of the main unit to the Component Video Input Connectors on your TV.

METHOD 3 : Composite Video

Connect the supplied video cable from the VIDEO OUT jack on the back of the main unit to the VIDEO IN jack on your TV.

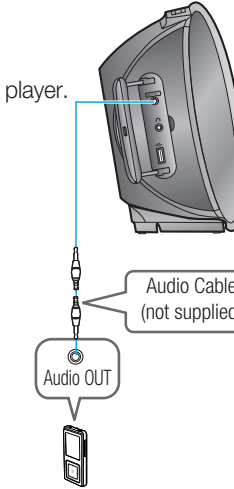
- The resolution from the Component Output is 480i.
- If you use an HDMI cable to connect a Samsung TV to the DVD Player, you can operate the Home Theater using the TV's remote control. This is only available with SAMSUNG TVs that support Anynet+(HDMI-CEC).
- Please check the  logo (If your TV has an  logo, then it supports the Anynet+ function.)

5 connecting audio from external components

AUX1 : Connecting an External Component/MP3 player

Components such as an MP3 Player.

1. Connect AUX IN 1 (Audio) on the Home Cinema to the Audio Out of the external component/MP3 player.
2. Press the **AUX** button on the remote control to select **AUX1** input.
 - You can also use the **FUNCTION** button on the main unit.The mode switches as follows :
DVD/CD → DIGITAL IN → AUX 1 → AUX 2 → USB → FM.

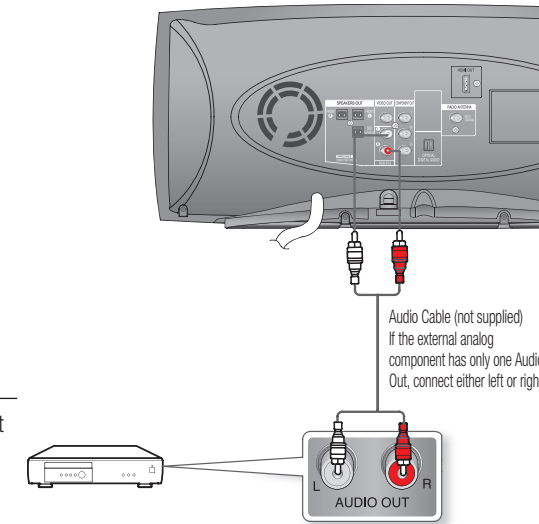


AUX2 : Connecting an External Analog Component

Analog signal components such as a VCR.

1. Connect **AUX IN 2** (Audio) on the Home Cinema to the Audio Out of the external analog component.
 - Be sure to match connector colors.
2. Press the **AUX** button on the remote control to select **AUX 2** input.
 - You can also use the **FUNCTION** button on the main unit.The mode switches as follows :
DVD/CD → DIGITAL IN → AUX 1 → AUX 2 → USB → FM.

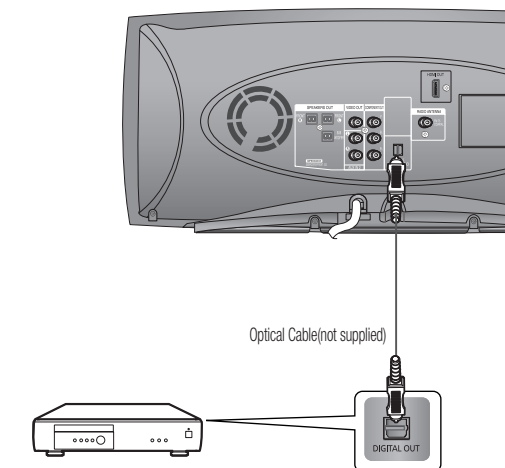
- You can connect the Video Output jack of your VCR to the TV, and connect the Audio Output jacks of the VCR to this product.



OPTICAL : Connecting an External Digital Component

Digital signal components such as a Cable Box/Satellite receiver (Set-Top Box).

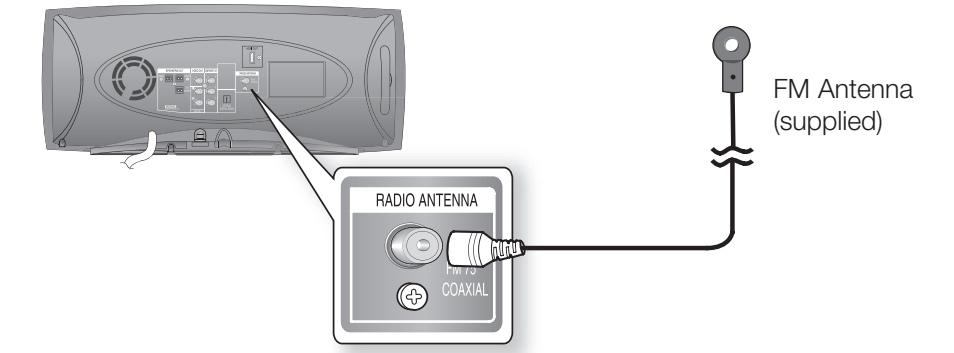
1. Connect the Digital Input (OPTICAL) on the Home Cinema to the Digital Output of the external digital component.
2. Press the **AUX** button on the remote control to select DIGITAL IN.
 - You can also use the **FUNCTION** button on the main unit.The mode switches as follows :
DVD/CD → DIGITAL IN → AUX 1 → AUX 2 → USB → FM.



6 listening to radio

Connecting the FM Antenna

1. Connect the FM antenna supplied to the FM 75Ω COAXIAL Jack.
2. Slowly move the antenna wire around until you find a location where reception is good, then fasten it to a wall or other rigid surface.



Listening to Radio

Remote Control

1. Press the **TUNER** button to select the FM band.
2. Tune in to the desired station.
 - **Automatic Tuning 1** : When the **◀▶** button is pressed, a preset broadcast station is selected.
 - **Automatic Tuning 2** : Press and hold the **▲▼** button to automatically search for active broadcasting stations.
 - **Manual Tuning** : Briefly press the **▲▼** button to increase or decrease the frequency incrementally.

Main Unit

1. Press the **FUNCTION** button to select the FM band.
2. Select a broadcast station.
 - **Automatic Tuning 1** : Press the **STOP** (■) button to select **PRESET** and then press the **◀▶** button to select the preset station.
 - **Automatic Tuning 2** : Press the **STOP** (■) button to select **MANUAL** and then press and hold the **◀▶** button to automatically search the band.
 - **Manual Tuning** : Press the **STOP** (■) button to select **MANUAL** and then briefly press the **◀▶** button to tune in to a lower or higher frequency.

- This unit does not receive AM broadcasts.