

Register your product and get support at

www.philips.com/welcome



EN USER MANUAL

PHILIPS



Country	Number	Tariff
Austria	0810 000205	€0.07/min
Belgium	078250145	€0.06/min
Bulgaria	+3592 489 99 96	local
Croatia	01 3033 754	local
Czech Rep	800142840	free
Denmark	3525 8759	local
Finland	09 2311 3415	local
France	0821 611655	€0.09/min
Germany	01803 386 852	€0.09/min
Greece	0 0800 3122 1280	free
Hungary	0680018189	free
Ireland	01 601 1777	local
Italy	840320086	€0.08/min
Luxembourg	40 6661 5644	local
Netherlands	0900 8407	€0.10/min
Norway	2270 8111	local
Poland	0223491504	local
Portugal	2 1359 1442	local
Romania	1-203-2060	local
Russia	(495) 961-1111	local
Serbia	+381 114 440 841	local
Slovakia	0800 004537	free
Slovenia	01 280 95 22	local
Spain	902 888 784	€0.10/min
Sweden	08 5792 9100	local
Switzerland	0844 800 544	local
Turkey	0800 261 3302	local
UK	0870 900 9070	local
Ukraine	044 254 2392	local

This information is correct at the time of press. For updated contact information, refer to www.philips.com/support.

Table of contents

1 Important	3
1.1 Safety	3
1.2 Screen care	4
1.3 Environmental care	4
2 Your TV	5
2.1 TV overview	5
3 Get started	7
3.1 Position the TV	7
3.2 Wall mount the TV	7
3.3 Connect the antenna cable	8
3.4 Connect the mains cord	8
3.5 Manage cables	9
3.6 Insert the remote control batteries ..	9
3.7 Switch on the TV	9
3.8 First time setup	9
4 Use your TV	10
4.1 Switch your TV on/off or to standby	10
4.2 Watch TV	10
4.3 Watch connected devices	11
4.4 Use teletext	11
5 Use more of your TV	12
5.1 Remote control overview	12
5.2 Use TV menus	13
5.3 Adjust picture and sound settings. .	15
5.4 Change to Shop or Home mode . . .	17
5.5 Use advanced teletext features	18
5.6 Use Electronic Programme Guide. . .	18
5.7 Adjust feature settings	19
5.8 Use subtitles	21
5.9 Listen to digital radio channels	21
5.10 Update your TV software	21
6 Install channels	22
6.1 Automatically install channels	22
6.2 Manually install channels	23
6.3 Rearrange channels	24
6.4 Rename channels	24
6.5 Uninstall or reinstall channels	24
6.6 Manually update the channel list . . .	25
6.7 Test digital reception	25
7 Connect devices	26
7.1 Connection overview	26
7.2 Connect devices	27
7.3 Setup devices	28
7.4 Use Philips EasyLink	29
7.5 Prepare TV for digital services	29
8 Technical specifications.	31
9 Troubleshooting	32
9.1 General TV issues	32
9.2 TV channel issues	32
9.3 Picture issues	32
9.4 Sound issues	33
9.5 HDMI connection issues	33
9.6 PC connection issues	33
9.7 Contact us	33

2008 © Koninklijke Philips Electronics N.V. All rights reserved. Specifications are subject to change without notice. Trademarks are the property of Koninklijke Philips Electronics N.V. or their respective owners.

Philips reserves the right to change products at any time without being obliged to adjust earlier supplies accordingly.

The material in this manual is believed adequate for the intended use of the system. If the product, or its individual modules or procedures, are used for purposes other than those specified herein, confirmation of their validity and suitability must be obtained. Philips warrants that the material itself does not infringe any United States patents. No further warranty is expressed or implied.

Warranty

No components are user-serviceable. Do not open or remove covers to the inside of the product. Repairs may only be done by Philips Service Centres and official repair shops. Failure to do so shall void any warranty, stated or implied. Any operation expressly prohibited in this manual, any adjustments, or assembly procedures not recommended or authorised in this manual shall void the warranty.

Pixel characteristics

This LCD product has a high number of colour pixels. Although it has effective pixels of 99,999% or more, black dots or bright points of light (red, green or blue) may appear constantly on the screen. This is a structural property of the display (within common industry standards) and is not a malfunction.

Compliance with EMF

Koninklijke Philips Electronics N.V. manufactures and sells many products targeted at consumers, which, like any electronic apparatus, in general have the ability to emit

and receive electromagnetic signals.

One of Philips' leading Business Principles is to take all necessary health and safety measures for our products, to comply with all applicable legal requirements and to stay well within the EMF standards applicable at the time of producing the products.

Philips is committed to develop, produce and market products that cause no adverse health effects.

Philips confirms that if its products are handled properly for their intended use, they are safe to use according to scientific evidence available today.

Philips plays an active role in the development of international EMF and safety standards, enabling Philips to anticipate further developments in standardisation for early integration in its products.

Mains fuse (UK only)

This TV is fitted with an approved moulded plug. Should it become necessary to replace the mains fuse, this must be replaced with a fuse of the same value as indicated on the plug (example 10A).

1. Remove fuse cover and fuse.
2. The replacement fuse must comply with BS 1362 and have the ASTA approval mark. If the fuse is lost, contact your dealer in order to verify the correct type.
3. Refit the fuse cover.

In order to maintain conformity to the EMC directive, the mains plug on this product must not be detached from the mains cord.

Copyright



VESA, FDMI and the VESA Mounting Compliant logo are trademarks of

the Video Electronics Standards Association.

® Kensington and Micro Saver are registered US trademarks of ACCO World Corporation with issued registrations and pending applications in other countries throughout the world. All other registered and unregistered trademarks are the property of their respective owners.

1 Important

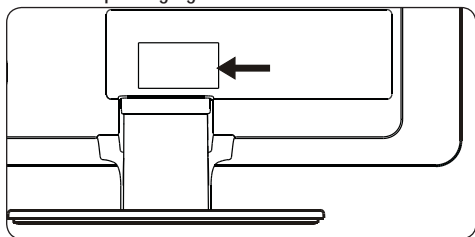
Congratulations on your purchase and welcome to Philips!

Read this user manual before you start to use this product.

Pay close attention to this section and follow the safety and screen care instructions. The product warranty does not apply if damage is caused by failing to follow these instructions.

To fully benefit from the support that Philips offers, register your product at www.philips.com/welcome.

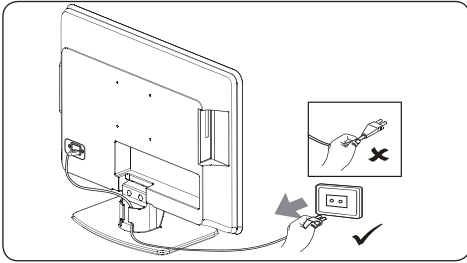
The model and serial number of your TV can be found on the back and side of the TV as well as on the packaging.



1.1 Safety

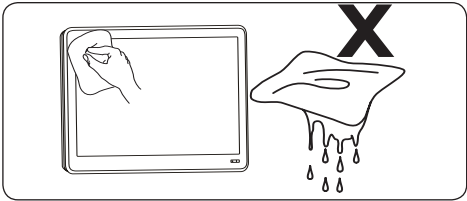
- If transporting the TV in low temperatures (less than 5°C), open the box and wait until the TV matches the ambient temperature of the room before unpacking.
- To avoid short circuit, do not expose the TV, remote control or remote control batteries to rain or water.
- Do not place vessels of water or other liquids on top of or near the TV. Spilling liquids on the TV can cause electric shock. If liquids are spilt on the TV, do not operate the TV. Immediately disconnect the TV from the mains and have the TV checked by a qualified technician.
- Do not insert any strange object into the ventilation slot. This might lead to damage of TV.
- To avoid risk of fire or electric shock, do not place the TV, remote control or remote control batteries near naked flame sources (e.g. lighted candles) and other heat sources including direct sunlight.
- Do not install the TV in a confined space such as a bookcase. Leave a space of at least 10cm (four inches) around the TV for ventilation. Be sure air flow is not obstructed.
- If placing the TV on a flat, solid surface be sure to use only the supplied stand. Do not move the TV if the stand is not properly screwed to the TV.
- Wall mounting of the TV should only be performed by qualified personnel. The TV must only be mounted on an appropriate wall bracket and on a wall that can safely hold the weight of the TV. Improper wall mounting can result in severe injury or damage. Do not attempt to wall mount the TV yourself.
- If the TV is mounted on a swivel base or swivel arm, ensure no strain is placed on the power cord when the TV is swivelled. Strain on the power cord can loosen connections and cause arcing or fire.
- Disconnect the TV from the mains and antenna before lightning storms. During lightning storms do not touch any part of the TV, mains cord or antenna cable.
- Be sure that you have full access to the mains cord for easy disconnection of the TV from the mains.
- Permanent hearing loss can occur if you use earphones or headphones at high volumes. Though high volume may sound normal over time, it can damage your hearing. To protect your hearing, limit the amount of time you use earphones or headphones at high volume.
- When disconnecting the TV from the mains, be sure to:

- Turn off the TV, then the mains power (if available).
- Unplug the mains cord from the mains socket outlet.



- Unplug the mains cord from the power connector at the back of the TV. Always pull the mains cord by the plug. Do not pull the mains cord

1.2 Screen care



- Turn off and unplug the mains cord before cleaning the screen. Clean the screen with a soft, dry cloth. Do not use substances such as household cleaning agents as these may damage the screen.
- To avoid deformations or colour fading, wipe off water droplets as soon as possible.
- Do not touch, push, rub or strike the screen with hard objects as this may damage the screen permanently.
- Where possible, avoid stationary images that remain on-screen for extended periods of time. Examples include screen menus, teletext pages, black bars or stock market tickers. If you must use stationary images,

reduce the screen contrast and brightness to avoid screen damage.

1.3 Environmental care

Recycling your packaging

The packaging of this product is intended to be recycled. Contact your local authorities for information on how to recycle the packaging.

Disposing your used product



Your product is manufactured with high-quality materials and components that can be recycled and reused. When you see the crossed-out wheel bin symbol attached to a product, it means the product is covered by the European Directive 2002/96/EC:

Do not dispose your used product with household waste. Ask your dealer for information on how to safely dispose of the product. Uncontrolled waste disposal harms both the environment and human health.

Disposing used batteries

The supplied batteries do not contain mercury or cadmium. Dispose supplied and all other used batteries according to your local regulations.

Power consumption

The TV consumes minimal energy in standby mode to minimise environmental impact. Active power consumption is displayed at the back of the TV.

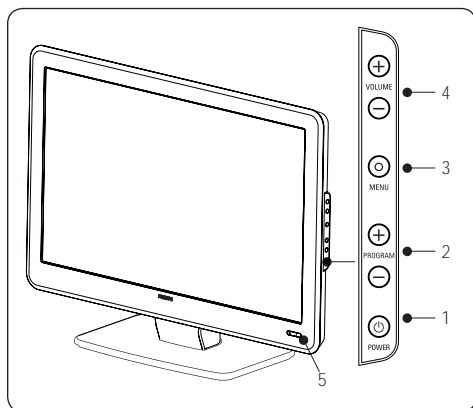
For more product specifications, see the product leaflet at www.philips.com/support.

2 Your TV

This section gives you an overview of commonly-used TV controls and functions.

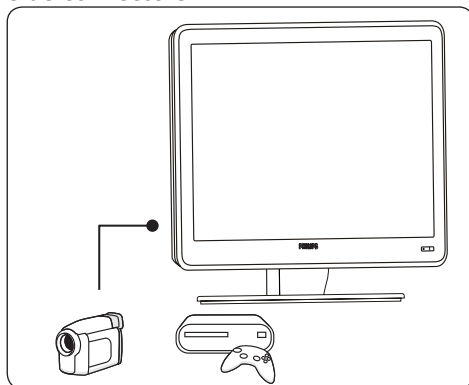
2.1 TV overview

Side controls and indicators



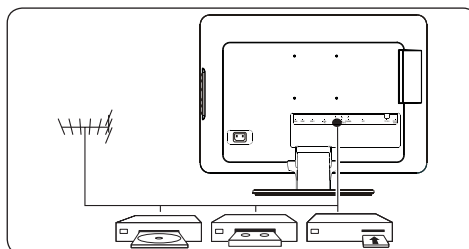
1. **POWER**
2. **PROGRAM +/-**
3. **MENU**
4. **VOLUME +/-**
5. Standby indicator/remote control sensor

Side connectors



Use the TV side connectors to connect to mobile devices such as a high-definition camcorder or game console. You can also connect a pair of headphone.

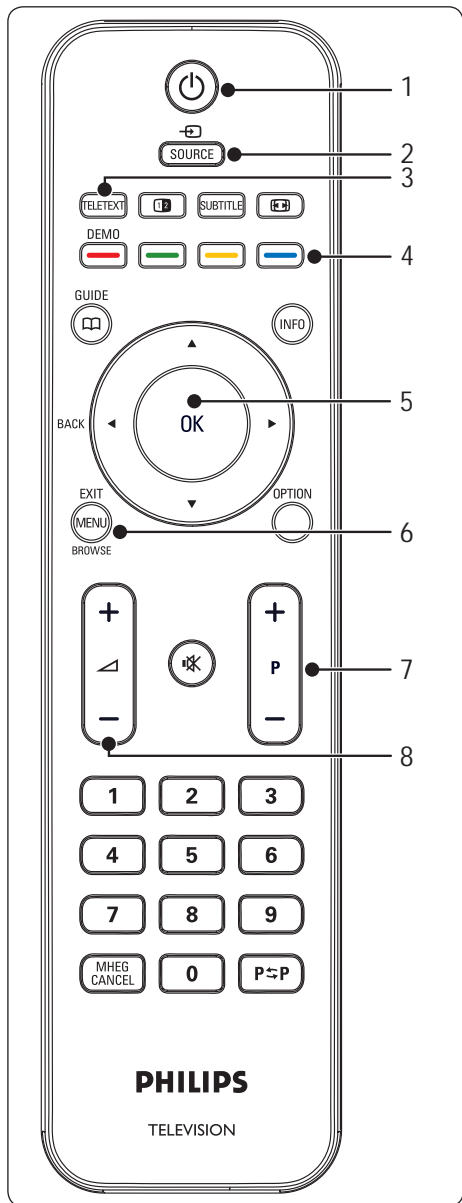
Back connectors



Use the TV back connectors to connect to the antenna and permanent devices such as a high-definition disc player, DVD player or VCR.

- D **Note:** For more information about connections, see *Section 7 Connect devices*.

Remote control



1. Power
2. **SOURCE**
3. **TELETEXT**
4. Colour keys
Selects tasks or teletext pages
5. , **OK**
Navigation or cursor keys
6. **MENU**
7. **P +/-**
Program up or down
8. +/-
Volume up or down

For advanced information about the remote control, see *Section 5.1 Remote control overview*.

3 Get started

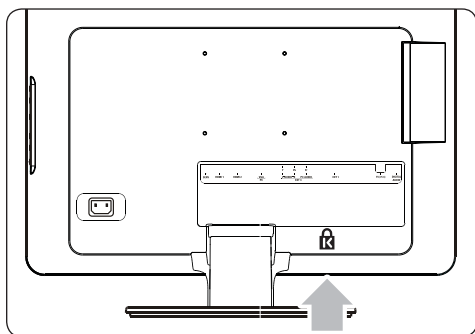
This section helps you position and install the TV and supplements the information provided in the *Quick Start Guide*.

- D **Note:** Refer to the *Quick Start Guide* for stand mounting instructions.

3.1 Position the TV

In addition to reading and understanding the safety instructions in *Section 1.1*, consider the following before positioning your TV:

- The ideal viewing distance for watching TV is three times its screen size.
- Position the TV where light does not fall on the screen.
- Connect your devices before you position your TV.
- Your TV is equipped with a Kensington Security Slot at the back of the TV. If connecting an anti-theft Kensington lock (not supplied), position the TV within reach of a permanent object (such as a table) that can be easily attached to the lock



3.2 Wall mount the TV

- B **WARNING:** Wall mounting of the TV should only be performed by qualified installers. Koninklijke Philips Electronics N.V. bears no responsibility for improper mounting that results in accident or injury.
- B **Step 1 Purchase a VESA-compatible wall bracket**

Depending on the size of your TV screen, purchase one of the following wall brackets:

TV screen size (inches/cm)	VESA-compatible wall bracket type (millimeters)	Special instructions
19"/48cm 20"/51cm 22"/56cm	Adjustable 100 x 100	None
26"/66cm	Adjustable 100 x 200	

Step 2 Connect cables

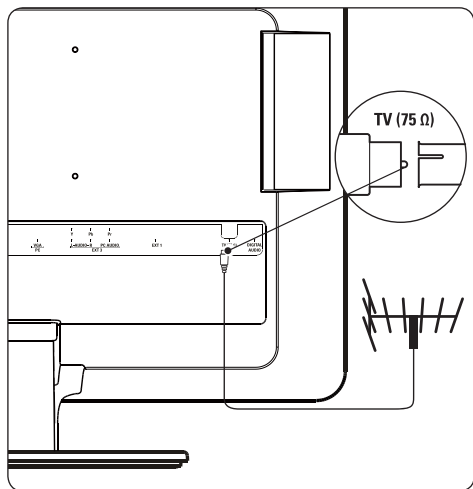
Connect the antenna cable, mains cord and all other devices to the back of the TV as described in the following sections.

Step 3 Secure the VESA-compatible wall bracket to the TV

- B **WARNING:** Only use the bolts (M4 for all models) and spacers (4cm) to secure the VESA-compatible wall bracket to your TV. The bolts are designed to match the weight of your TV; spacers are designed for easy cable management.
- D **Note:** Depending on your VESA-compatible wall bracket, you may need to separate the mounting plate from the wall bracket for easier installation. Refer to your VESA-compatible wall bracket documentation for instructions.

3.3 Connect the antenna cable

1. Locate the **TV ANTENNA** connector at the back of the TV.



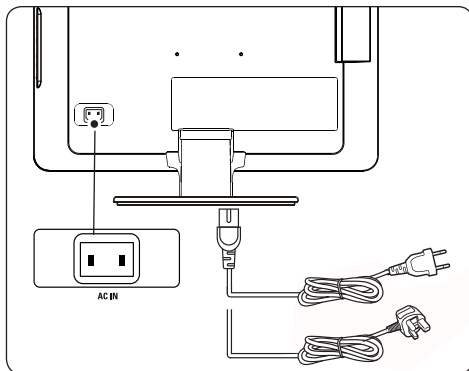
2. Connect one end of an antenna cable (not supplied) to the **TV ANTENNA** connector. Use an adaptor if the antenna cable does not fit.
3. Connect the other end of the antenna cable to your antenna outlet, ensuring that the cable is tightly secured at both ends.

3.4 Connect the mains cord

- B WARNING:** Verify that your mains voltage corresponds with the voltage printed at the back of the TV. Do not insert the mains cord if the voltage is different.

To connect the mains cord

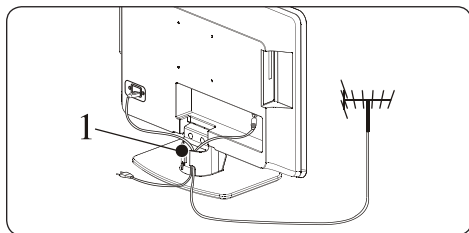
- D Note:** The location of the mains connector according to TV model.
1. Locate the **AC IN** mains connector at the back or on the bottom of the TV.



2. Connect the mains cord to the **AC IN** mains connector.
3. Connect the mains cord to the mains, ensuring that the cord is tightly secured at both ends.

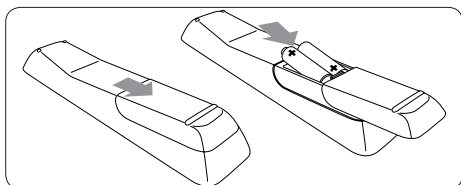
3.5 Manage cables

Route your mains cord, antenna cable and all other device cables through the cable holder (1) at the back of the TV.



3.6 Insert the remote control batteries

1. Slide the battery cover off the back of the remote control.



2. Insert the two supplied batteries (Size AAA, Type LR03). Be sure the + and - ends of the batteries line up with the markings inside the case.
3. Slide the cover back into position.

- D **Note:** Remove the batteries if not using the remote control for an extended period of time.

3.7 Switch on the TV

The first time you switch on the TV, check that the mains cord is properly connected. When ready, then press **POWER** on the side of the TV.

- D **Note:** Certain TV models require you to press and hold **POWER** for up to two seconds. Your TV may take up to 15 seconds to start.

3.8 First time setup

When you turn on the TV set for the first time, a menu is displayed on screen. This menu prompts you to select the Country and Language for the menus:

If the menu is not displayed, press the **MENU** key to display the menu.

1. Press **▲** or **▼** to select your language, and press **OK** to confirm your choice.
2. Press **▲** or **▼** to select your country, and press **OK** to confirm your choice.

The search starts automatically. All available TV programmes and radio stations are stored. This operation takes a few minutes. The display shows the progress of the search and the number of programs found. At the end of the search, the menu disappears.

- D **Note:** If no programme is found, consult the possible solutions see section 9 troubleshooting.
- If the transmitter or cable network sends the automatic sort signal, the programs will be numbered correctly. In this case, the installation is complete.
3. If this is not the case, use the **Channel setting** menu to number the programs correctly.

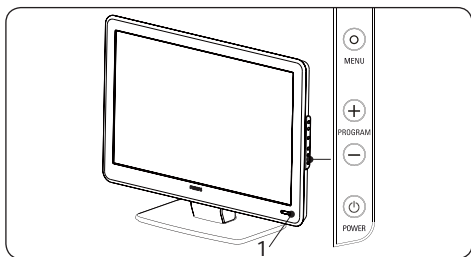
4 Use your TV

This section helps you perform basic TV operations. Instructions on advanced TV operations are provided in *Section 5 Use more of your TV*.

4.1 Switch your TV on/off or to standby

Switch on your TV

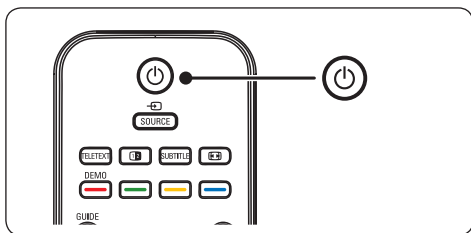
- If the power indicator (1) is off, press **POWER** on the side of the TV.



Switch off your TV

- Press **POWER** on the side of the TV. The power indicator (1) switches off.

Switch to standby

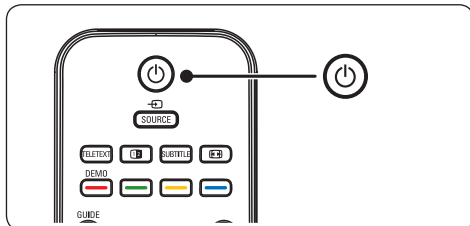


- Press \mathcal{O} on the remote control. The power indicator switches to standby (red).

E **Tip:** Though your TV consumes very little power when in standby, energy continues to be consumed as long as the mains remain connected and powered. When not in use

for extended periods of time, switch off and disconnect the TV from the mains.

Switch on from standby

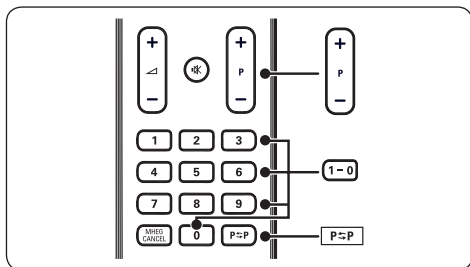


- If the power indicator is in standby (red), press \mathcal{O} on the remote control.

D **Note:** If you cannot locate your remote control and you want to switch on the TV from standby, press **PROGRAM +/-** on the side of the TV.

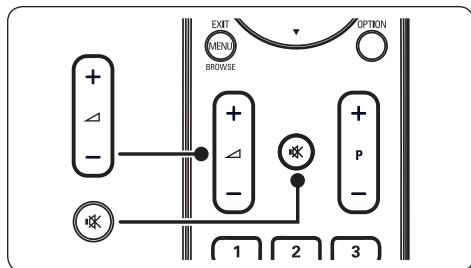
4.2 Watch TV

Switch channels



1. Press a number (1 to 999) or press **P +/-** on your remote control.
2. Press **PROGRAM +/-** on the side controls of the TV.
3. Press **P=P** on the remote control to return to the previously-viewed TV channel.

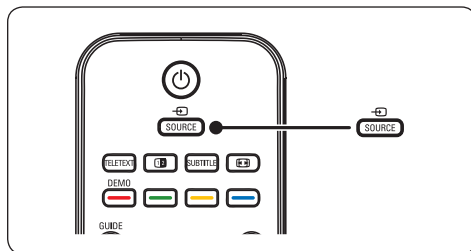
Adjust volume



1. Press \blacktriangle + or - on the remote control, or Press **VOLUME +** or - on the side controls of your TV.
 2. Press MUTE on the remote control to mute the sound. Press MUTE again to unmute on the sound.
- D **Note:** If headphones are connected, adjust headphone volume as described in *Section 5.3 Adjust sound settings*. You must press the **MUTE** button on the remote control to mute audio from the TV speakers. Pressing **VOLUME +/-** buttons turns on the TV speakers again.

4.3 Watch connected devices

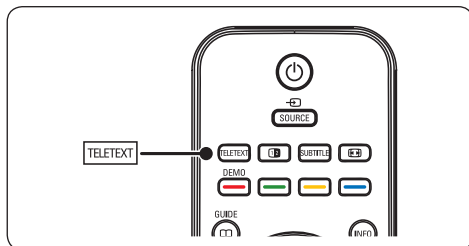
1. Switch on the device.
2. Press **SOURCE** on the remote control.



3. Press \blacktriangle or \blacktriangledown to select the input your device is connected to.
4. Press **OK** to select the device.

4.4 Use teletext

1. Press **TELETEXT** on the remote control. The main index page appears.

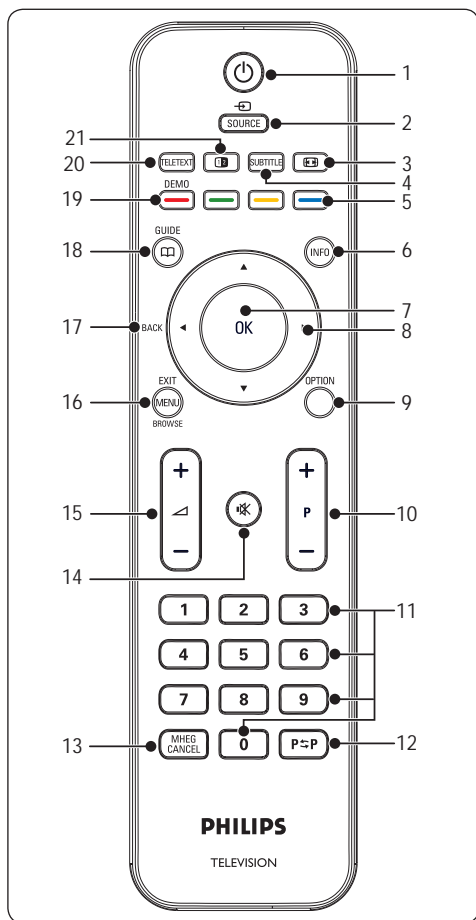


- To select a page with the remote control:
 - Enter the page number with the number keys.
 - Press \blacktriangle \blacktriangledown to view the next or previous page.
 - Press a colour key to select one of the colour coded items at the bottom of the screen.
- E **Tip:** Press **P** \rightleftharpoons **P** to return to the previously viewed page.
2. Press **TELETEXT** again to switch off teletext.
- D **Note (for UK users only):** Some digital TV channels offer dedicated digital text services (for example, BBC1).

For advanced information on teletext, see *Section 5.5 Use advanced teletext features*.

5 Use more of your TV

5.1 Remote control overview



1. Switches the TV on from standby or back to standby.
2. **SOURCE**
Selects connected devices.
3. Selects a picture format.
4. **SUBTITLE**
Activates or deactivates subtitles.

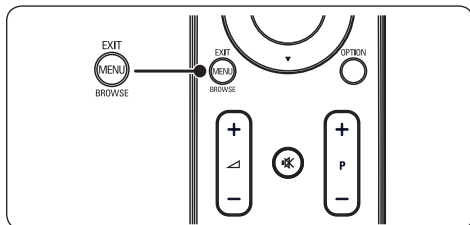
5. **Colour keys**
Selects tasks or teletext pages.
6. **INFO**
Displays programme information, if available.
7. **OK**
Accesses the **All channels** menu or activates a setting.
8. Navigate the menu.
9. **OPTION**
Activates the **Quick access** menu.
10. **P +/-**
Switches to the next or previous channel.
11. **Number keys**
Selects a channel, page or setting.
12. **P<=>P**
Returns to the previously-viewed channel.
13. **MHEG CANCEL**
Cancels digital text or interactive services (UK only).
14. Mutes or restores sound.
15. Increases or decreases volume.
16. **MENU/EXIT/BROWSE(not available for this model)**
Toggles the menu on or off.
17. **BACK**
To return to the previous menu.
18. **GUIDE** Toggles the Electronic Programme Guide on or off. Only active with digital channels.
19. **DEMO**
Not Supported.
20. **TELETEXT**
Toggles teletext on or off.
21. Splits the current channel or source on the left of the screen. Teletext appears on the right.

5.2 Use TV menus

On-screen menus help you install your TV, adjust picture and sound settings and access other features. This section describes how to navigate the menus.

Access the main menu

1. Press **MENU** on the remote control to display the main menu.



The following menu appears.

TV Menu	Smart settings
Smart settings	Personal
Picture	Vivid
Sound	Standard
Features	Movie
Install	Power saver

2. Press **▲** or **▼** to move the cursor to the following items:

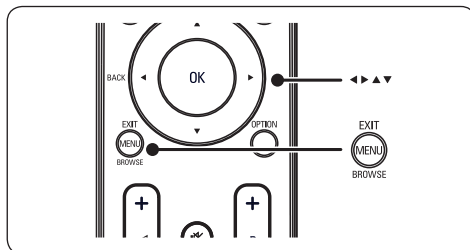
- **Smart settings**
- **Picture**
- **Sound**
- **Feature**
- **Install**

3. Press **▶** or **OK** to select an item.

4. Press **MENU** to exit.

Use the main menu

The following steps of adjusting brightness is one example to show how to use the main menu.



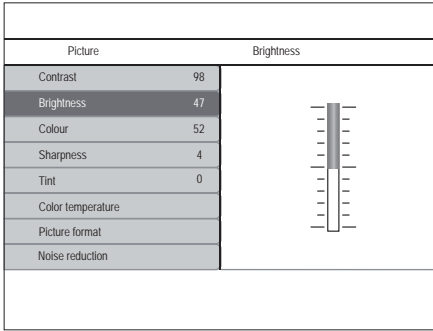
1. Press **MENU** on the remote control to display the TV menu.

TV Menu	Smart settings
Smart settings	Personal
Picture	Vivid
Sound	Standard
Features	Movie
Install	Power saver

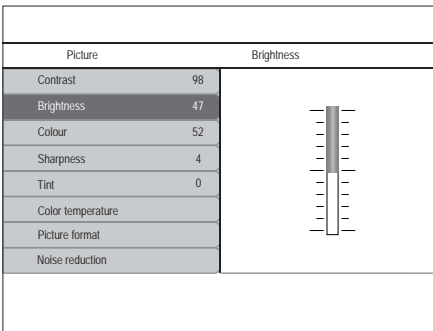
2. Press **▼** to select **Picture**.

TV Menu	Picture
Smart settings	Contrast
Picture	Brightness
Sound	Color
Features	Sharpness
Install	Tint
	Color temperature
	Picture format
	Noise Reduction

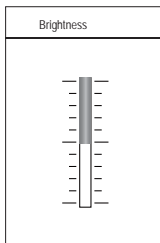
3. Press **▶** to enter the **Picture** settings.



4. Press ▼ to select **Brightness**.



5. Press ► to enter the **Brightness** setting.



6. Press ▲ or ▼ to adjust the setting.
 7. Press ◀ to return to the **Picture** settings or press **MENU** to exit.

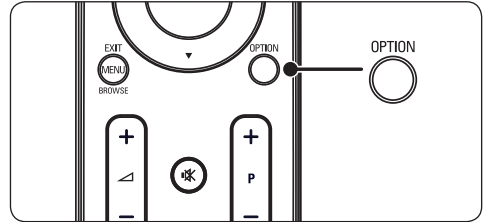
ⓘ **Note:** More choices are available when digital channels are installed and broadcast.

Use the Quick access menu

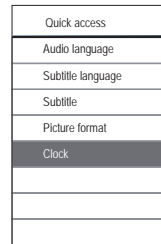
The **Quick access** menu gives direct access to some often-needed menu items.

ⓘ **Note:** When digital channels are installed and broadcast, the relevant digital options are displayed in the **Quick access** menu.

1. Press **OPTION** on the remote control.



2. Press ▲ or ▼ to select an option.



3. Press **OK** to display the selected option menu.
 4. Press ▲, ▼, ►, ◀ to adjust the settings in the menu.
 5. Press **OPTION** to exit **Quick access** menu, or press **MENU** to exit the **Main** menu.

5.3 Adjust picture and sound settings

Adjust picture settings

1. Press **MENU** on the remote control and select **Picture**.

TV Menu	Picture
Smart settings	Contrast
Picture	Brightness
Sound	Color
Features	Sharpness
Install	Tint
	Color temperature
	Picture format
	Noise Reduction

2. Press **▶** to enter the list.
3. Press **▲** or **▼** to select a setting:
 - **Contrast:** Changes the level of bright parts in the picture keeping the dark parts unchanged.
 - **Brightness:** Changes the level of light in the picture.
 - **Colour:** Changes the level of saturation.
 - **Sharpness:** Changes the level of sharpness of fine details.
 - **Tint:** Changes the colours to reddish or bluish. (This function is available only in NTSC model)
 - **Colour temperature:** There are 3 items can be selected. Press **▶** to enter the select menu. Press **▲** or **▼** to move to the item. Press **OK** to change to the selected colour temperature: **Normal** (balanced), **Warm** (redder), **Cool** (bluer).
 - **Picture format:** See *Section 5.3.3 Change picture format.*

- **Noise reduction:** Filters and reduces the noise in the picture. Select **ON** to enable. **OFF** to disable this function

Use smart settings

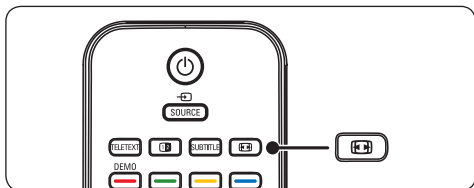
Apart from manually adjusting picture settings, you can use **Smart settings** to set your TV to a predefined picture and sound setting.

1. Press **MENU** on the remote control and select **Smart settings**.
2. Press **▶** to enter the list.
3. Press **▲** or **▼** to select one of the following settings:
 - **Personal:** Applies manually selected picture and sound settings.
 - **Vivid:** Applies brilliant picture and sound settings suitable for bright surroundings
 - **Standard:** Applies natural picture and sound settings suitable for most living room conditions.
 - **Movie:** Applies dynamic picture and sound settings suitable for a complete cinematic experience.
 - **Power saver:** Applies lower picture brightness and smaller sound for power economy.
4. Press **OK** to store your selection.

Change picture format

Change the picture format to suit your content.

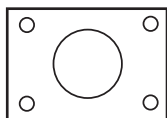
1. Press **PICTURE FORMAT** on your remote control. Alternatively, press **MENU** and select **Picture > Picture format**.



2. Press **▲** or **▼** to select one of the following picture formats, available display formats are determined by the type of model you own

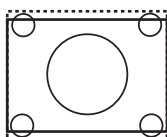
For 20 inch model

- **4:3**(Not for HD)



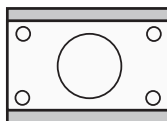
Displays the classic 4:3 format

- **Expand 4:3**



Scales the classic 4:3 format to 14:9

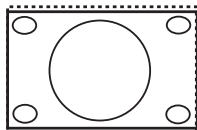
- **Compress 16:9**



Scales the classic 4:3 format to 16:9.

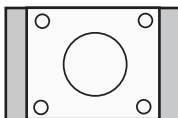
For 19 inch model/22 inch model/26 inch model

- **Super zoom**(Not for HD)



removes the black bar on the side of 4:3 broadcasts with minimal distortion

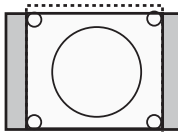
- **4:3**(Not for HD)



Displays the classic 4:3 format

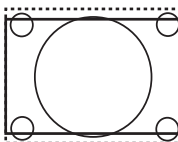
- **Note:** Constant use of the **4:3** picture format can cause screen distortion.

- **Movie Expand 14:9**



Scales the classic 4:3 format to 14:9.

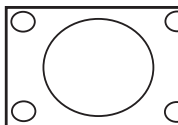
- **Movie Expand 16:9**(Not for HD)



Scales the classic 4:3 format to 14:9

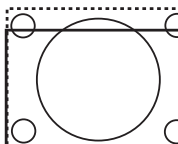
- **Note:** Constant use of the **16:9** picture format can cause screen distortion.

- **Wide screen**



Stretches the classic 4:3 format to 16:9

- **Subtitle zoom**



Scales the classic 4:3 format to 16:9 and capable to move up and down by press **▲** or **▼** keys to show subtitle.

Adjust sound settings

This section describes how to adjust sound settings.

1. Press **MENU** on the remote control and select **Sound**.
2. Press **▶** to enter the list.

TV settings	Sound
Smart settings	Settings
Picture	Incredible surround
Sound	Volume-visually impaired
Features	Audio language
Install	Dual I-II
	Mono/Stereo
	Auto volume leveling

3. Press **▲** or **▼** to select one of the following settings:

- **Settings:**
 - Treble:**To adjust the treble value to fit your best listening.
 - Bass:**To adjust the bass value to fit your best.
 - Balance:** Sets the balance of the left and right speakers to best fit your listening position.
- **Incredible surround:** Automatically switches the TV to the best surround sound mode available from a broadcast. Select **On** or **Off**.
- **Volume-visually impaired:** Adjusts the aids on volume settings.
- **Audio language:** Available for digital channels only, when multiple languages are broadcast. Lists available audio languages.

- **Dual I-II:** If available, choose between two different languages.
- **Mono/Stereo:** If stereo broadcasting is available, choose between mono or stereo.
- **Auto volume leveling:** Reduces sudden volume changes, for example, during commercials or when switching from one channel to another. Select **On** or **Off**.

5.4 Change to Shop or Home mode

1. Press **MENU** on the remote control and select **Install > Preferences > Location**.
2. Press **▶** to enter the **Location** menu.
3. Press **▲** or **▼** to select the TV mode:
 - **Shop:** Sets smart settings to **Vivid**, ideal for a shop environment. The flexibility to change settings is limited.
 - **Home:** Gives home users the full flexibility to change all TV settings.
4. Press **OK** to confirm.
5. Press **MENU** to exit.

5.5 Use advanced teletext features

Your TV has a 100 page memory that stores broadcasted teletext pages and subpages.

Select teletext subpages

A teletext page can hold several subpages. Subpages are displayed on a bar next to the main page number.

1. Press **TELETEXT** on the remote control.
2. Select a teletext page.
3. Press **▲** or **▼** to select a subpage.

Use dual screen teletext

Enabling dual screen teletext displays your channel or source on the left of the screen. Teletext is displayed on the right.

1. Press **12 (DUAL SCREEN)** on your remote control to enable dual screen teletext.
2. Press **12** again to display normal teletext.
3. Press **TELETEXT** to switch off teletext.

Use digital text services (UK only)

Some digital TV broadcasters in UK offer dedicated digital text or interactive services (for example, BBC1). These services work like normal teletext with the addition of number, colour and navigation keys.

1. Press **TELETEXT** on the remote control.
2. Press **▲**, **▼**, **▶**, **◀** to select or highlight items.
3. Press **OK** to confirm or activate
4. Press one of the colour keys to select an option..
5. Press **MHEG Cancel** to cancel digital text or interactive services.

- D **when** you in teletext mode, press option on remote:once to zoom in on the top

part of the screen, twice to zoom in on the bottom of the screen, three times to return to normal display.

- C **Caution:** Digital text services are blocked when subtitles are broadcasted and **Subtitle On** is set in the **Features** menu as described in *Section 5.8 Subtitles*.

5.6 Use Electronic Programme Guide

EPG is an on-screen guide that displays scheduled digital TV programmes. This guide is not available with analogue channels. You can navigate, select and view programmes.

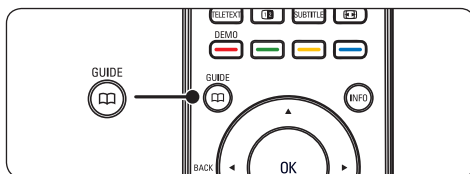
There are two types of EPG, **'Now and Next'** and **'7 or 8 day'** EPG. **'Now and Next'** is always available but the **'7 or 8 day'** EPG is only available in certain countries.

With the EPG menu you can:

- View a list of currently broadcast digital programmes.
- View upcoming programmes.
- Group programmes.

Switch on EPG

- D **Note:** The first time you use EPG, you may be prompted to perform an update. If so, follow the on-screen instructions.
1. Press **GUIDE** on the remote control, the "Now and Next" EPG will appear and the detailed information about the current programme is displayed.



2. Use the colour keys on the remote control

to activate available actions.

PHILIPS			
Viewing Date: 01/03/2002		Current Time:wed 02 Apr 04:02:15	
2	BBC TWO	16:30	Ready Steady Cook
7	BBC CHOICE	17:15	The Weakest Link
10	BBCI		
11	BBC NEW 24		
12	BBC PARLMNT		
13	BBC knowledge		
800	Eurosport		
801	TERRA NOVA		
16:30 - 17:15			
<input type="radio"/> Prev Day <input type="radio"/> Next Day <input type="radio"/> Detail <input type="radio"/> Filter			

- Use the colour keys to view 7 or 8 day EPG.
 - Prev Day** (Red): List the previous day's EPG.
 - Next Day** (Green): List the next day's EPG.
 - Detail** (Yellow): Display the description about this program.
 - Filter** (Blue): Group programs.

PHILIPS	
Viewing Date: 01/03/2002	
Current Time: 01/03/2002 Thu 16:49:22	
Take a couple of chefs, Paul Rankin and Phil Vickery, add two contestants, throw in some ingredients and garnish liberally with Ainsley Harriott. Simmer and enjoy.	
Test	
<input type="radio"/> Prev Page <input type="radio"/> Next Page <input type="radio"/> Return <input type="radio"/>	

- Press **GUIDE** to exit the EPG.

5.7 Adjust feature settings

- Press **MENU** on the remote control and select **Features**.
- Press **▶** to enter.

TV menu	Features
Smart settings	Timer
Picture	Auto lock
Sound	Subtitle
Features	Subtitle language
Install	Common interface

- Press **▲** or **▼** to select one of the following settings:
 - Timer**
 - Auto lock**
 - Subtitle**
 - Subtitle language**
 - Common interface**

Use timers

Press **MENU** on the remote control and select **Features > Timer > Clock**.

- Auto clock mode:** You can set current clock by manual or automatic:
 - Manual:** Allows you to enter the current time and day of the week by yourself
 - Automatic:** Allow you to select the channel from which the TV will read the time.
- Time zone:** Adjusted time is based on GMT.

Automatically switch the TV to standby (Sleeptimer)

Sleeptimer switches the TV to standby after a defined period of time.

1. Press **MENU** on the remote control and select **Features > Timer > Sleeptimer**.
 2. Press **▶** to enter the **Sleeptimer** menu
 3. Press **▲** or **▼** to set the sleep time up to 180 minutes in steps of five minutes. If set to zero minutes, the Sleeptimer is switched off.
 4. Press **OK** to activate the Sleeptimer.
- D **Note:** You can always switch off your TV earlier or reset Sleeptimer during the countdown.

Automatically switch the TV on (Start time)

Start time switches the TV to a specified channel at a specified time, from standby.

1. Press **MENU** on the remote control and select **Features > Timer > Start time**.
 2. Press **▶** to enter the **start time** menu.
 3. Use **▲** or **▼**, **▶** or **◀** to select and enter the menu items to set a channel, day of the week, frequency and starting time.
 4. Press **OK** to confirm your choice.
 5. Press **MENU** to exit.
- E **Tip:** To switch off Start time, select **Off** in the **Start time** menu.

Automatically switch the TV off (Stop time)

Stop time switches the TV to standby at a specified time.

1. Press **MENU** on the remote control and select **Features > Timer > Stop time**.
2. Press **▶** to enter the **Stop time** menu.

3. Use **▲** or **▼**, **▶** or **◀** to select and enter the menu items to set the day of week.
4. Press **OK** to confirm.
5. Press **MENU** to exit.

- D **Note:** You can always switch off your TV earlier or reset Sleeptimer during the countdown.

Lock TV channels or connected devices (Auto Lock)

Lock TV channels or connected devices with a four digit code to prevent children from watching unauthorised content.

To set or change the Auto Lock code

1. Press **MENU** on the remote control and select **Features > Auto lock > Change code**.
 2. Press **▶** to enter the code setup.
 3. Enter your code with the number keys. The **Features** menu reappears with a message confirming that your code is created or changed.
- E **Tip:** Use the master code 0711 to reset your PIN code.

To enter the Auto Lock menu

1. Press **MENU** on the remote control and select **Features > Auto Lock** and press **▶** to enter your code.
2. Enter your code with the number keys.

To unlock all channels and connected devices

1. In the **Auto Lock** menu, select **Clear all**.
2. Press **OK**.

To lock or unlock one or more channels and connected devices

1. In the **Auto Lock** menu, select **Lock program**.

2. Press ► to enter.
3. Press ▲ or ▼ to select **channel lock**.
4. Press ► to lock or unlock the channel.

To set parental ratings

Some digital broadcasters rate their programmes according to age. You can set your TV to display only programmes with age ratings higher than your child's.

1. In the **Auto Lock** menu, select **Parental rating**.
2. Press ► to enter.
3. Press ▲ or ▼ to select **age rating**.
4. Select the age and Press **OK**.
5. Press **Menu** to exit the menu.

5.8 Use subtitles

You can enable subtitles for each TV channel. Subtitles are broadcast via teletext or DVB-T digital broadcasts. With digital broadcasts, you have the additional option of selecting a preferred subtitle language.

1. Press **MENU** on the remote control and select **Features > Subtitle**.
2. Press ► to enter the list.

TV menu	Features
Smart settings	Timer
Picture	Auto lock
Sound	Subtitle
Features	Subtitle language
Install	Common interface

3. Press ▲ or ▼ to select **On** to display subtitles always or **On during mute** to

display subtitles only when the sound is muted with the **Mute** key on the remote control.

4. Press **OK** to return to the **Features** menu.

Select a subtitle language on digital TV channels

- D **Note:** When you select a subtitle language on a digital TV channel as described below, the preferred subtitle language set in the **Install** menu is temporarily overruled.
1. Press **MENU** on the remote control and select **Features> Subtitle language**.
 2. Press ► to enter the list of available languages.
 3. Press ▲ or ▼ to select a subtitle language.
 4. Press **OK**.

5.9 Listen to digital radio channels

If digital broadcasting is available, digital radio channels are installed automatically during installation. To reorder the digital radio channels, see *Section 6.3 Rearrange the channels*.

1. Press **OK** on the remote control. The **All channels** menu is displayed.
2. Use the number keys to select a radio channel.
3. Press **OK**.

5.10 Update your TV software

Philips continuously tries to improve its products and we strongly recommend that you update the TV software when updates are available. Check www.philips.com/support for availability.

Check your current software version

1. Press **MENU** on the remote control and

select **Install** > **Current software info.**

Update software (digital broadcasts)

If using (DVB-T) digital broadcasts, your TV automatically receives software updates. If you receive a message on-screen prompting you to update your software:

- Select **Now** (recommended) to update the software immediately.
- Select **Later** to be reminded to update the software later.
- Select **Cancel** to exit the update (not recommended).

6 Install channels

The first time you setup your TV, you are prompted to select an appropriate menu language and to perform automatic installation of TV and digital radio channels (if available).

This chapter provides instructions on how to reinstall channels as well as other useful channel installation features.

D **Note:** Re-installing channels modifies the **All channels** list.

6.1 Automatically install channels

This section describes how to search and store channels automatically. Instructions are for both digital and analogue channels.

Install	Language
Language	Menu language
Country	Preferred audio language
Channel installation	Preferred subtitle language
Preferences	Hearing impaired
Source labels	Audio description
Decoder	
Current software info	
Factory reset	

Step 1 Select your menu language

1. Press **MENU** on the remote control and select **Install** > **Language**.
2. Press **▶** to enter **Menu language**.
3. Press **▲** or **▼** to select your language.
4. Press **OK** to confirm.
5. Press **◀** to return to the **Install** menu.

In addition to menu language, you can configure the following language settings via the **Language** menu (digital channels only):

- **Preferred audio language:** Select one of the available audio languages as your preferred audio language. For more information, see *Section 5.3 Adjust sound settings*.
- **Preferred subtitle language:** Select one of the available subtitle languages. For more information, see *Section 5.8 Select a subtitle language on digital TV channels*.
- **Hearing impaired:** If available, select **On** to display the hearing impaired subtitle with your preferred language.
- **Audio description:** If available, select **On** to hear the audio description with your preferred language.

Step 2 Select your country

Select the country where you are located. The TV installs and arranges channels according to your country.

1. In the **Install** menu, press ▼ to select **Country**.
2. Press ► to enter the list.
3. Press ▲ or ▼ to select your country.
4. Press ◀ to return to the **Install** menu.

Step 3 Install channels

Your TV searches and stores all available digital and analogue TV channels as well as all available digital radio channels.

1. In the **Install** menu, press ▲ or ▼ to select **Channel installation > Automatic installation**.
2. Press ► to select **Start now**.
3. Press **OK**.
4. Press the green key to start. The installation may take a few minutes.

5. When the channel search is completed, press the red key to return to the **Installation** menu.
 6. Press **MENU** to exit.
- E **Tip:** When digital TV channels are found, the list of installed channels may display empty channel numbers. If you want to rename, reorder or uninstall stored channels, see *Section 6.3 Rearrange channels*.

6.2 Manually install channels

This section describes how to search and store analogue TV channels manually. If you want to search and store digital channel, please kindly refer to *Section 6.7. Test digital reception*

Step 1 Select your system

- D **Note:** Skip to *Step 2 Search and store new TV channels* if your system settings are correct.
1. Press **MENU** on the remote control and select **Install > Channel installation > Analogue: Manual installation**.
 2. Press ► to enter the **Channel installation** menu, and **System** is highlighted.
 3. Press ► to enter the **System** list.

Channel installation		Analog: Manual installation	
Automatic installation		System	
Installation update		Search	
Digital: Test reception		Fine tune	
Analog: Manual installation		Store current channel	
Rearrange		Store as new channel	

4. Press ▲ or ▼ to select your country or region.
5. Press ◀ to return to the **Channel installation** menu.

Step 2 Search and store new TV channels

1. Press **MENU** on the remote control and select **Install > Channel installation > Analogue: Manual installation > Search**.
2. Press **▶** to enter the **Search** menu.
3. Press the red key and the number keys on the remote control to enter the three digit frequency. Alternatively, press the green key to automatically search for the next channel.
4. Press **◀** when the new channel is found.
5. Select **Store as new channel**, and press **▶** to enter.
6. Press **OK** to save this channel.
The channel number will be shown on the screen.
7. Press **MENU** to exit.

Fine tune analogue channels

You can manually fine tune analogue channels when reception is poor.

1. Press **MENU** on the remote control and select **Install > Channel installation > Analogue: manual installation > Fine tune**.
2. Press **▶** to enter the **Fine tune** menu.
3. Press **▲** or **▼** to adjust the frequency.
4. Press **OK** when done.
5. Select **Store current channel** to store the fine tuned channel under the current channel number.
6. Press **▶** to enter.
7. Press **OK**.
8. Press **MENU** to exit.

6.3 Rearrange channels

1. Press **MENU** on the remote control and

select **Install > Channel installation > Rearrange**.

2. Press **▶** to enter the **Rearrange** list.
3. Press **▲** or **▼** to select the channel you want to rearrange.
4. Press the yellow key to move the channel up the list, or press the blue key to move the channel down the list.
5. Press **MENU** to exit.

6.4 Rename channels

1. Press **MENU** on the remote control and select **Install > Channel installation > Rearrange**.
 2. Press **▶** to enter the **Rearrange** list.
 3. Press **▲** or **▼** in the **Rearrange** list to select the channel you want to rename.
 4. Press the red key.
 5. Press **◀** and **▶** to select characters or **▲** and **▼** to change the characters. Space, numbers (0-9) and other special characters are located between **z** and **A**.
 6. Press the green key or **OK** to finish.
- E **Tip:** Delete all characters by pressing the yellow key. Delete only the highlighted character by pressing the blue key.

6.5 Uninstall or reinstall channels

1. You can uninstall a stored channel or reinstall an uninstalled channel. Press **MENU** on the remote control and select **Install > Channel installation > Rearrange**.
2. Press **▶** to enter the **Rearrange** list.
3. Press **▲** or **▼** to select the channel you want to uninstall or reinstall.
4. Press the green key to uninstall or reinstall

the channel.

5. Press **MENU** to exit.

6.6 Manually update the channel list

You can manually update the channel list.

1. Press **MENU** on the remote control and select **Install > Channel installation > Installation update**.
2. Press **▶** to enter the **Installation update** menu. **Start now** is highlighted.
3. Press **OK**.
4. Press the green key to start the update. This may take a few minutes.
5. When the update is complete, press the red key to return to the **Channel installation** menu.
6. Press **MENU** to exit.

6.7 Test digital reception

If using digital broadcasts, you can check the quality and signal strength of digital channels. This allows you to reposition and test your antenna or satellite dish.

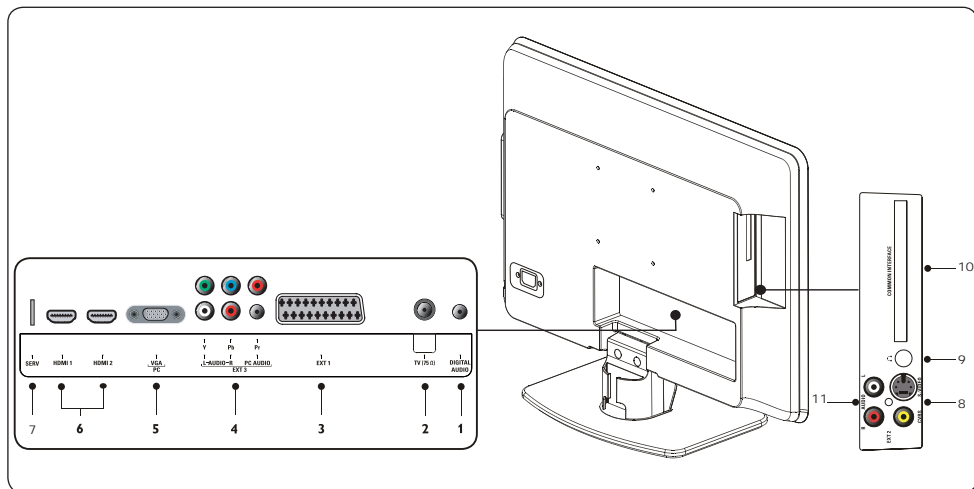
1. Press **MENU** on the remote control and select **Install > Channel installation > Digital:Test reception**.
2. Press **OK**.
3. Press the green key to automatically start the test or manually enter the frequency of the channel you want to test. If the signal quality and strength is poor, reposition the antenna or satellite dish and retest.
4. When complete, press the yellow key to store the frequency.
5. Press the red key to return to the **Channel installation** menu.
6. Press **MENU** to exit.

- D **Note:** If you have further problems with the reception of your digital broadcast, contact a specialised installer.

7 Connect devices

7.1 Connection overview

equipment connected, press the **SOURCE** button on the remote control: once to select **EXT 1**, twice to select **EXT 2**, etc. For some equipment (connected to the SCART socket), this selection is done



Back connectors

- Digital Audio Out**
Sound output cinch connectors for home theatres systems etc.
- TV (75Ω)**
TV antenna.
- EXT 1 - SCART (input-output)**
For a range of equipment, including video recorders, camcorders (VHS, 8 mm or Hi 8 format), decoders, satellite receivers, DVD players, games consoles or devices producing an RGB signal.
- EXT 3 - PC Audio/YPbPr/Audio L/R component sockets (input)**
Component PC Audio and video (Y Pb Pr) and Audio L/R input connectors for PC (when connecting a PC via a DVI-HDMI adaptor), DVD players, digital receivers, game consoles and other component video devices.
- VGA (PC) socket (input)**
or a computer. To display images using the

automatically.

- HDMI(input) 1/2**
HDMI input connectors for Blu-ray Disc players, digital receivers, game consoles and other high-definition devices.
- SERV(input)**
For service use.

Side connectors

- EXT2-CVBS/S-Video**
Video input cinch connector for composite devices. S-Video input connector for S-Video devices
- Headphone**
Stereo mini-jack, size, e.g. 3.5mm
- Common Interface**
Slot for Conditional Access Modules.
- AUDIO L/R**
Audio L/R input connectors for composite and S-Video devices.

7.2 Connect devices

This section describes how to connect various devices with different connectors and supplements examples provided in the *Quick Start Guide*.

- C **Caution:** Disconnect the mains cord before connecting devices.
- D **Note:** Different types of connectors may be used to connect a device to your TV, depending on availability and your needs.

Blu-ray Disc player

For full high-definition video, connect a HDMI cable as illustrated:

DVD player

For DVD video, connect a SCART cable as illustrated:

Satellite receiver

To receive analogue channels via antenna and digital channels via a satellite receiver, connect an antenna cable and SCART cable as illustrated:

HD digital receiver

To receive analogue channels via antenna and digital channels via a HD digital receiver, connect two antenna cables and HDMI cable as illustrated:

Combined DVD recorder and digital receiver

To receive analogue channels via antenna and record programs on a combined DVD recorder and digital receiver, connect two antenna cables and one SCART cable as illustrated:

Separate DVD recorder and receiver

To receive analogue channels via antenna and record programmes on a separate DVD recorder and receiver, connect three antenna cables and one SCART cables as illustrated:

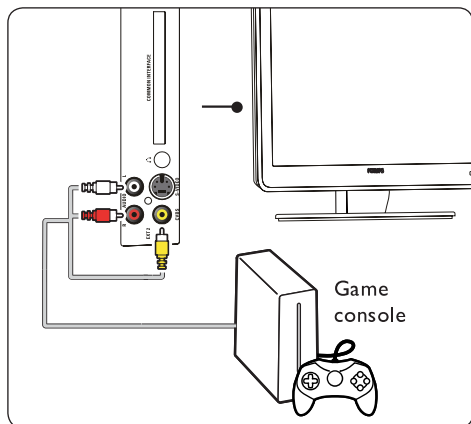
DVD recorder and home theatre system

To receive analogue channels via antenna, output sound to a home theatre system and record programmes on a DVD recorder, connect two antenna cables, one SCART cable and two digital audio cables as illustrated:

- D **Note:** If using a home theatre or other audio system, the best synchronisation between images and sound is achieved by connecting the audio signal from your playback device to the TV first. Subsequently, channel the audio signal to the home theatre system or audio device via the audio connectors on the back of the TV.

Game console or camcorder

The most practical connection for a mobile game console or camcorder may be at the side of the TV. You can, for example, connect the game console or camcorder to VIDEO/S-Video and AUDIO L/R connectors at the side of the TV. A HDMI connector is also available for high-definition devices.



A permanent game console or camcorder can be connected to a HDMI connector or EXT 3 (component) connectors at the back of the TV.

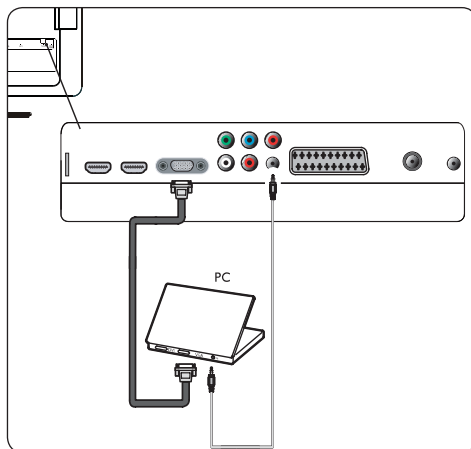
Personal Computer

Before connecting the PC:

- Set the PC monitor refresh rate to 60Hz. See *Section 8 Technical specifications* for a list of computer resolutions.
- Change the TV picture format to **Wide Screen** as described in *Section 5.3 Change picture format*.

To connect a PC to the back of the TV

1. Using a VGA cable connect to PC IN connect on the back of your TV.
2. Connect a Mini-jack audio cable from your PC to the AUDIO IN mini-jack connector at the back of the TV.



7.3 Setup devices

Assign a channel decoder

Decoders that decode digital channels can be connected to SCART. You have to assign the TV channel as a channel to be decoded. Then assign the connection where the decoder is connected.

1. Press **MENU** on the remote control and select **Install > Decoder**.

TV Menu	Install
Smart settings	Language
Picture	Country
Sound	Channel installation
Features	Preferences
Install	Source labels
	Decoder
	Current software info
	Factory reset

2. Press **▶** to enter the list.
3. Press **▲** or **▼** to select the channel to decode.
4. Press **OK** to select or unselect the channel.

5. Press ◀ to return to the previous menu.
6. Press **MENU** to exit.

7.4 Use Philips EasyLink

Your TV supports Philips EasyLink, which enables one-touch play and one-touch standby between EasyLink-compliant devices. Compliant devices must be connected to your TV via HDMI and assigned as described in *Section 7.4.1 Assign devices to connectors*.

Enable or disable EasyLink

1. Press **MENU** on the remote control then select **Install > Preferences > EasyLink**.
2. Select **On** or **Off**.

Use one-touch play

One-touch play enables you to press the play button on, for example, your DVD remote control. This starts playback on your DVD device and automatically switches your TV to the correct source, displaying DVD content.

Use System standby

System standby enables you to press and hold the **POWER** button on, for example, your TV remote control. This switches your TV and all connected HDMI devices on or to standby mode. You can perform system standby using remote controls from any of the connected HDMI devices.

7.5 Prepare TV for digital services

Scrambled digital TV channels can be decoded with a Conditional Access Module (CAM) and a Smart card provided by a digital TV service operator.

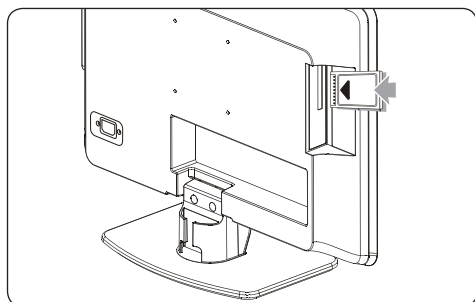
The CAM may enable several digital services, depending on the operator and services you choose (for example, pay TV). Contact

your digital TV service operator for more information about services and terms.

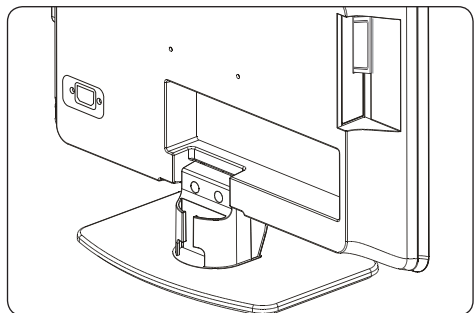
Using the Conditional Access Module

B WARNING: Switch off your TV before inserting a CAM. Be sure to follow the instructions described below. Wrong insertion of a CAM may damage both the CAM and your TV.

1. Following the directions printed on the CAM, gently insert the CAM into the Common Interface on the side of the TV.
2. Push the CAM in as far as it will go.



3. Turn on the TV and wait for the CAM to be activated. This may take several minutes.



- D Note:** Do not remove the CAM from the slot. Removing the CAM will deactivate the digital services.

Access CAM services

- After inserting and activating the CAM, press **MENU** on the remote control and select **TV menu > Features > Common interface**.

This menu option is only available if the CAM is correctly inserted and activated. On-screen applications and content are provided by your digital TV service operator.

8 Technical specifications

Supported display resolutions

• Computer formats (PC)

Resolution	Refresh rate
720 x 400	70Hz
640 x 480	60Hz
800 x 600	60Hz
1024 x 768	60Hz
1680 x 1050(22" only)	60Hz
1366 x 768(26" only)	60Hz

D Notes

Model 20PFL3403D supports the format 640x480 60Hz only.

• Video formats

Resolution	Refresh rate
480i	60Hz
480p	60Hz
576i	50Hz
576p	50Hz
720p	50Hz, 60Hz
1080i	50Hz, 60Hz
1080p	50Hz, 60Hz(HDMI only)

D Notes

Model 20PFL3403D supports the format 480i 60Hz\576i 50Hz and 480p 60Hz\576p 50Hz only.

Tuner / Reception / Transmission

- Antenna input: 75ohm coaxial (IEC75)
- TV system: PAL D/K, BG, I
SECAM L/L
- Video playback: NTSC, SECAM, PAL
- DVB Terrestrial (see listed countries on the back of the TV)

Remote control

- Type: RC-6
- Batteries: 2 x AAA size (LR03 type)

Connections (Rear)

- EXT 1 (SCART): SCART input-output

- EXT 3 Component PC Audio, (Y Pb Pr), Audio L/R in.
- VGA
- HDMI 1/2/
- SPDIF OUT: Digital audio out (coaxial-cinch-S/PDIF). Display synchronised.
- TV ANTENNA

Connections (Side)

- Headphone out (stereo mini-jack)
- EXT 2 Component AUDIO L/R in, Video (CVBS) in, S-Video
- Common Interface (CAM slot)

Power

- Mains power: AC 100-240V ($\pm 10\%$)
- Power and standby power consumption: See technical specifications at www.philips.com
- Ambient temperature: 5°C - 35°C

Specifications are subject to change without notice. For detailed specifications of this product go to www.philips.com/support.

9 Troubleshooting

This section describes commonly-encountered issues and accompanying solutions.

9.1 General TV issues

The TV does not switch on:

- Unplug the mains cord, wait for one minute and plug in the mains again.
- Verify that the mains cord is properly connected and that the mains are powered.

The remote control is not working properly:

- Verify that the remote control batteries are correctly inserted according to the +/- orientation.
- Replace the remote control batteries if they are flat or weak.
- Clean the remote control and TV sensor lens.

You forgot your code to unlock Auto Lock

- Enter '0711' as described in *Section 5.7 Lock TV channels or connected devices (Auto Lock)*.

The TV menu is in the wrong language

- See *Section 6.1 Automatically install channels* for instructions on how to change the TV menu to your preferred language.

When turning the TV on/off/to standby, you hear a creaking sound from the TV chassis:

- No action is required. The creaking sound is normal expansion and contraction of the TV as it cools and warms up. This does not impact performance.

9.2 TV channel issues

Previously installed channels do not appear in the channel list:

- Verify that the correct list is selected.
- The channel may have been uninstalled to the **Rearrange** menu. To access the menu, press **MENU** on the remote control and select **Install > Channel installation > Rearrange**.

No digital channels were found during the installation:

- Verify if the TV supports DVB-T in your country. See the listed countries on the back of the TV.

9.3 Picture issues

The power indicator is on, but there is no picture:

- Verify if the antenna is connected properly.
- Verify if the correct device is selected.

There is sound but no picture:

- Verify that picture settings are correctly set. See *Section 5.3 Adjust picture settings*.

You receive poor TV reception from an antenna connection:

- Check that the antenna is properly connected to the TV.
- Loud speakers, unearthed audio devices, neon lights, high buildings or mountains can influence the picture quality. Try to improve the reception quality by changing the antenna direction or moving devices away from the TV.
- Verify if the correct TV system is selected for your region. See *Section 6.2 Manually install channels*.
- If reception on only one channel is poor, try to fine tune this channel. See *Section 6.2 Fine tune analogue channels*.

You receive poor picture quality from connected devices:

- Check that the devices are connected properly.
- Verify that picture settings are correctly set. See *Section 5.3 Adjust picture settings*.

The TV did not save my settings:

- Verify that the TV is set to **Home** mode, which offers you complete flexibility to change settings. See *Section 5.4 Change to Shop or Home mode*.

The picture does not fit the screen, it is too big or too small:

- Try using a different picture format as described in *Section 5.3 Change picture format*.

The picture position on screen is not correct:

- Picture signals from some devices do not fit the screen correctly. Check the signal output of the device.

9.4 Sound issues

There is picture but no sound from the TV:

- D **Note:** If no audio signal is detected, the TV automatically switches off audio output and does not indicate malfunction.
- Check that all cables are properly connected.
 - Check that the volume is not set to 0.
 - Check that the sound is not muted.

There is picture but sound quality is poor:

- Check **Sound** settings as described in *Section 5.3 Adjust sound settings*.

There is picture but sound comes from one speaker only:

- Verify that **Balance** correctly set as described in *Section 5.3 Adjust sound settings*.

9.5 HDMI connection issues

You encounter problems with HDMI devices

- HDCP support can delay the time taken for a TV to display content from a device.
- If the TV does not recognise the device and the screen displays no picture, try switching from one device to another and back again to restart.
- If you experience intermittent sound disruptions, check the user manual of the HDMI device to verify that output settings are correct. Alternatively, try connecting the audio signal from the HDMI device to the TV via AUDIO IN at the back of the TV.

9.6 PC connection issues

The PC display on my TV is not stable or is not synchronised:

- Check that a supported resolution and refresh rate is selected on your PC. See *Section 8 Technical specifications* for supported resolutions and refresh rates.

9.7 Contact us

If you cannot resolve your problem, refer to the FAQ for this TV at www.philips.com/support.

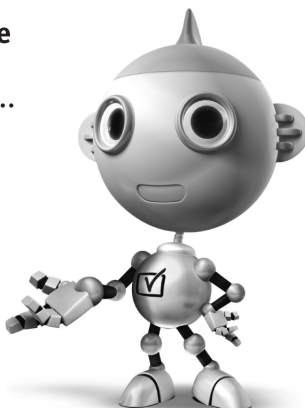
If the problem remains unresolved, contact the Customer Support Centre in your country as listed in this user manual.

- B **WARNING: Do not attempt to repair the TV yourself. This may cause severe injury, irreparable damage to your TV or void your warranty.**
- D **Note:** Please have available your TV model and serial number before contacting us. These numbers are available on the back and side of your TV, as well as on the packaging.

Information about how to re-tune your TV during the digital TV switchover.

Keep this user manual safe – you'll need it.

.....



Television in the UK is going digital, bringing us all more choice and new services. Starting in late 2007 and ending in 2012, television services in the UK will go completely digital, TV region by TV region.

Please see the next page to find out when your area switches to digital.

Digital UK is the independent, non-profit organisation leading the process of digital TV switchover in the UK. Digital UK provides impartial information on what people need to do to prepare for the move to digital, and when they need to do it.

How the switchover affects your TV equipment:

Your new TV has a digital tuner built in, which means it is ready to receive the Freeview signal by simply plugging it into your aerial socket (check if you can get digital TV through your aerial now, or whether you'll have to wait until switchover, at www.digitaluk.co.uk).

When the TV switchover happens in your area, there are at least two occasions when you will need to re-tune your TV in order to continue receiving your existing TV channels, and also to pick up new ones.

get set for digital 

Digital UK, the body leading the digital TV switchover, will advise you when you need to re-tune during the switchover. If you choose to connect your TV to satellite or cable with a digital box then it will not be affected by switchover, and you won't need to re-tune.

If you have any questions, please contact your equipment supplier or call Digital UK on ... 0845 6 50 50 50 or visit www.digitaluk.co.uk

How to re-tune:

To find out how to re-tune your TV, check this user manual for details. Go to section **6 Install channels**.

If you do not re-tune your channels when advised to do so by Digital UK, you may lose some or all of your channels until you do re-tune. You should re-tune your TV every few months to check for any new channels.

If you are missing any channels, it may be that they are not available in your area, or that your aerial needs upgrading.

When does switchover happen?

*Copeland switches on October 17, 2007

The exact date you switch depends on the transmitter you are served by. To check when you switch, go to Digital UK's postcode checker on www.digitaluk.co.uk

Check your ITV news service or look at Teletext page 106 to see what TV region you're in.



Visit us at digitaluk.co.uk
Call us on 0845 6 50 50 50†

† Calls charged at BT rate of 3p per minute daytime and 1p per minute evenings and weekends. Rates may vary for calls from non-BT lines.



© 2008 Koninklijke Philips Electronics N.V.
All rights reserved.

72-T540M5-X411A