



[kitsound.co.uk](http://kitsound.co.uk)



JB. 3093 / Made in China. © KitSound™ 2014. Christchurch, Dorset. BH23 4FL



*ks*<sup>™</sup>

KITSOUND

EVOKE  
2.1 WIRELESS  
SOUND SYSTEM

---

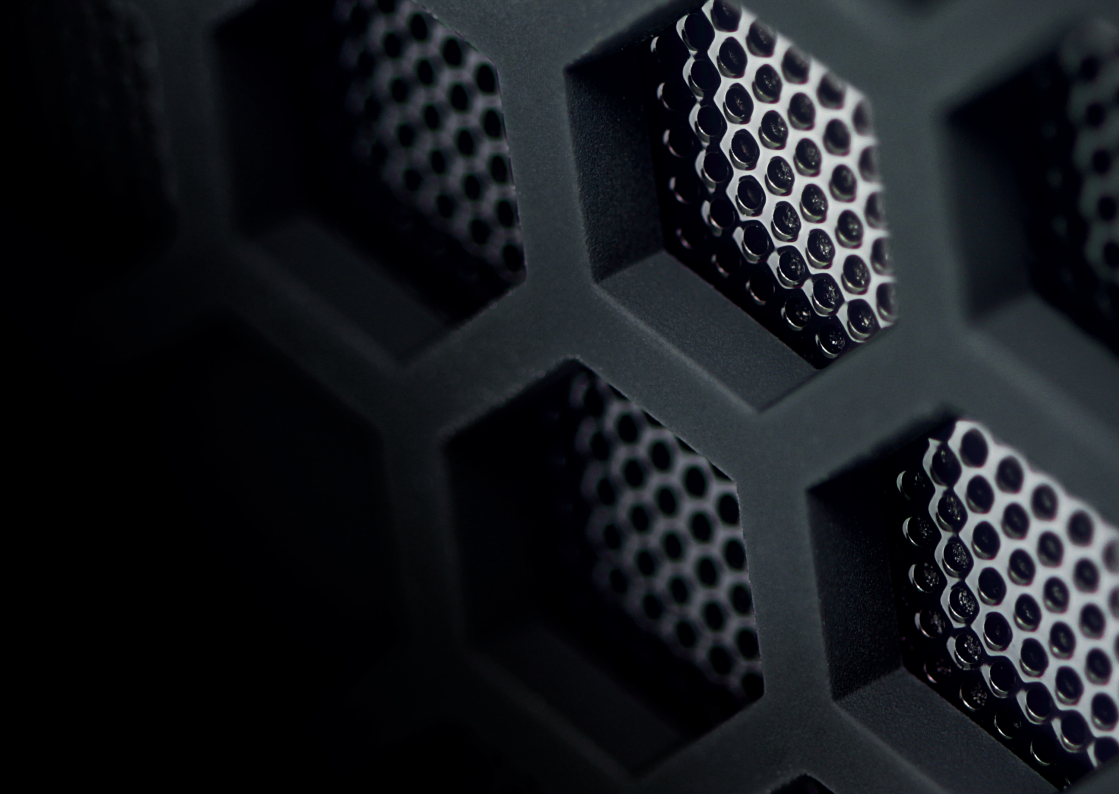
USER MANUAL



We are craftspeople. We are musicians. We are KitSound™  
And we all commit ourselves to achieving one shared goal: Bringing  
people closer to their music. By truly understanding music we stay true  
to its craft. Pure, rich, incredible sound. We'll settle for nothing less.

At KS we believe your music deserves to be showcased on great quality products that don't cost the earth. We might not all share the same taste in music (the ferocious disputes on music forums prove that), but whether it's Irish folk, death metal or any number of obscure genres which seem to be multiplying by the minute, the artists responsible for connecting with you through their craft have bared their souls to do so. And we think that's worth celebrating.





Like the musicians we're honouring, we're obsessed with our craft; fine-tuning and tweaking our products to make sure we constantly deliver full-bodied, symphonic sound. So from a single note played on a piano, to the full impact of a bass guitar, you can rest assured that you'll always be doing justice to your music.

Please read this manual carefully before use.

### Box contents

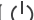
- KS Evoke 2.1 wireless sound system
- Remote control (CR2032 battery included)
- 3.5 mm cable
- User manual

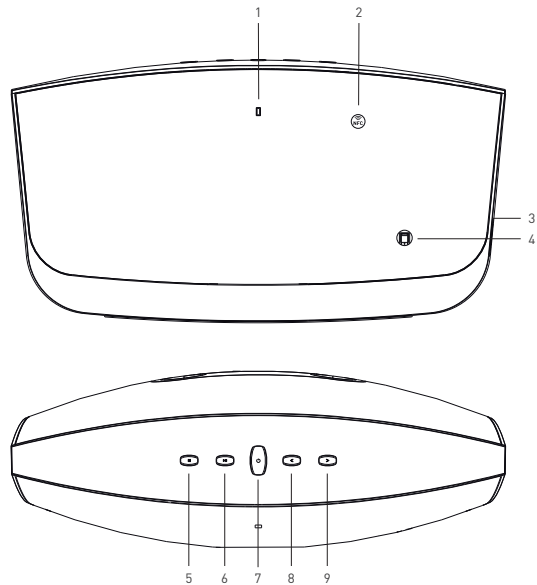
### Functions

#### On the front

1. LED indicator
2. NFC tab area
3. USB port
4. Remote sensor

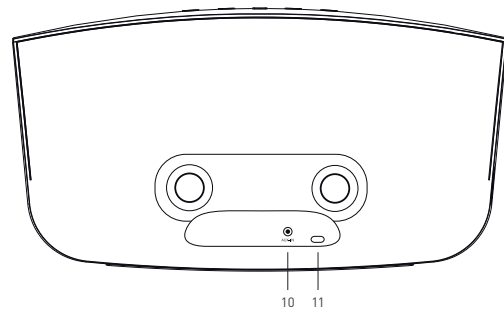
#### On the top

5. Mode button
6. Play/Pause button
7. Power button [  ]
8. Previous track/Volume- button
9. Next track/Volume+ button



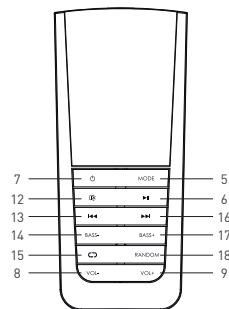
#### On the back

10. Aux-in
11. AC cord



#### On the remote:

7. Power
12. Mute
13. Previous track
14. Bass-
15. Repeat
8. Volume-
5. Mode
6. Play/Pause
16. Next track
17. Bass +
18. Random
9. Volume +



## Instructions for use

### Getting started

1. Plug the AC cord plug into a convenient AC wall outlet and switch it on
2. The LED indicator (1) will be Red
3. The Evoke is now in 'STANDBY' mode
4. Press the ⏻ button (7) to turn the Evoke on
5. Press and hold the ⏻ button (7) on the Evoke for 2 seconds (short press on remote) to put the Evoke in standby mode
6. Disconnect from the mains to eliminate standby

### Bluetooth setup

#### Pairing a Bluetooth device for the first time

With the Evoke in standby mode:

1. Press the ⏻ button (7)
2. The LED indicator (1) will turn from red to a flashing blue
3. Using the controls on your Bluetooth device, select the 'Evoke' in your Bluetooth settings to pair

Note: If your device requests a password, enter '0000'.

Note: Refer to your device's user manual for instructions on pairing and connecting Bluetooth devices.

4. When connected, the Evoke's LED indicator (1) will turn solid blue

### Pairing using NFC

If your device has built in NFC, follow the instructions in the previous section up to step 3, then:

3. Activate NFC and Bluetooth on your device (refer to your device's user manual if unsure of how to do this)
4. Tap your device on the NFC tab area (2) of the speaker
5. When connected, the Evoke's LED indicator (1) will turn solid blue

### Re-pairing or pairing new devices

1. Make sure the Bluetooth is turned off on any previously paired devices
2. Make sure the Evoke is in Bluetooth mode and the LED indicator (1) is flashing blue
3. Follow step 3 onwards in the previous pairing instructions



## Using Bluetooth

### Playing audio wirelessly

1. Follow the instructions in the 'Pairing a Bluetooth device' section
2. Use the controls on your device to select a track
3. To play or pause the selected track, use the controls on your device or press the Play/Pause button (6)
4. To skip a track, use the controls on your device or press (don't hold) the previous track button (8 on Evoke, 13 on remote) or next track button (9 on Evoke, 16 on remote)
5. Audio played on the connected Bluetooth device will now be heard through the speakers
6. The volume can be adjusted both on your device and on the Evoke. To change the volume on the Evoke, press and hold the Volume - (8) and Volume + (9) buttons.

Note: Track control functions from the buttons on the Evoke and on the remote will require your device to have Bluetooth profile AVRCP. Please check your device's manual if unsure.

## MP3 player mode

The Evoke will play MP3 files from most USB memory sticks (up to 32 GB). Using a computer, copy the desired music files onto a USB memory stick. Then:

1. With the Evoke in Bluetooth mode, press the mode button (5)
2. The LED indicator (1) will turn pink
3. Connect your USB memory stick to the USB port (3) on the Evoke
4. After a few moments, the Evoke will automatically start playing music
5. Track/volume controls on the Evoke and on the remote are the same in MP3 player mode as they are in Bluetooth mode
6. The Repeat (15) and Random (18) buttons on the remote will function only in MP3 player mode

Note: Only MP3 files are compatible with the Evoke.

## Aux audio input

### Using the aux audio input

1. With the Evoke in MP3 player mode, press the mode button (5)
2. The LED indicator (1) will turn light blue (cyan)
3. Plug one end of the aux cable into the aux input (10) on the Evoke
4. Plug the other end of the aux cable into the audio/headphone output on an MP3 player or other audio source
5. Audio played on the connected device will now be heard through the speaker
6. The volume can be adjusted both on your device and on the Evoke

Note: The play/pause and skip track functions on the Evoke and on the remote will not operate in aux mode.

### PLEASE NOTE:

Your device will have an internal amplifier and if it is playing digital files like MP3s it will also have an integrated DAC (Digital Audio Converter). If you turn up the volume to 100%, your device will be sending distorted signals to the Evoke. To avoid this and to get the best sound quality from the speaker, we recommend that you do not run your device any higher than 95% volume.

## Charging

### Charging a device

1. Using the appropriate USB charging cable, connect one end to the device and the other to the USB port (3) on the Evoke  
Note: The USB output is not suitable for use with any device that requires more than 1 amp to charge.
2. Your device will now be charging

## Important safety instructions

### Caution

To reduce the risk of electric shock, do not dismantle the product and do not expose the apparatus to rain or moisture. There are no user-serviceable parts inside. Refer servicing to qualified personnel only.

### Explanation of graphical symbols

The lightning flash within an equilateral triangle is intended to alert you to the presence of un-insulated "dangerous voltage" within the product's enclosure that may be of sufficient magnitude to constitute an electric shock to a person or persons.

The exclamation point within an equilateral triangle is intended to alert you to the presence of important operating and maintenance (servicing) instructions in the literature accompanying the product.



## WARNINGS:

- |                              |  |                          |   |
|------------------------------|--|--------------------------|---|
| 1. Read instructions         | All the safety and operating instructions should be read before the product is operated.   | 8. Power cord protection | Power-supply cords should be routed so that they are not likely to be walked on, kinked or pinched by items placed on or against them, paying particular attention to cords from plugs, receptacles and the point at which they exit from the appliance.  |
| 2. Retain instructions       | The safety and operating instructions should be kept for future reference.   | 9. Overloading           | Do not overload wall outlets, extension cords or multiple sockets, as this can result in a risk of fire or electric shock.  |
| 3. Heed warnings             | All warnings on the product and in the operating instructions should be adhered to.  | 10. Ventilation          | The product must be properly ventilated. Do not place the product on a bed, sofa, or other similar surface. Do not cover the product with any items such as tablecloths, newspapers etc.  |
| 4. Follow instructions       | All operating and use instructions should be followed.   | 11. Heat                 | The product should be situated away from heat sources such as radiators, heat registers, stoves and other products, including amplifiers that produce heat. No naked flame sources, such as lighted candles, should be placed on the apparatus.   |
| 5. Installation              | Install in accordance with the manufacturer's instructions.  | 12. Water and moisture   | To reduce the risk of fire or electric shock, do not expose the product to dripping, splashing or places where there is excessive moisture, such as saunas and bathrooms. Do not use this product near water, for example near a bathtub, washbowl, kitchen sink, laundry tub, in a wet basement or near a swimming pool. |
| 6. Power sources             | This product should be operated only from the type of power source indicated by the marking adjacent to the power cord entry. If you are not sure of the type of power supply to your home, consult your product dealer or local power company.  |                          |   |
| 7. Grounding or polarisation | The product is not required to be grounded. Ensure the plug is fully inserted into the wall outlet or extension cord receptacle to prevent blade or pin exposure. When using an extension power-supply cord or a power-supply cord other than that supplied with the appliance, it should be fitted with the appropriate moulded-on plugs and carry safety approval appropriate to the country of use. |                          |   |

[continued...]

[...continued] WARNINGS:

13. Object and liquid entry Never push objects of any kind through openings in this product, as they may touch dangerous voltage points or short-circuit parts that could result in a fire or electric shock. Never spill liquid of any kind on the product. Do not place any object containing liquid on top of the product.
14. Cleaning Unplug the product from the wall outlet before cleaning. The cabinet of the subwoofer may be cleaned by dusting with a dry cloth. We do not recommend using any abrasive cleaners or polishes. Only use a mild IPA solution for severe mess on the cabinet and only ever spray directly onto the cloth. DO NOT USE ANY CLEANING FLUIDS ON THE CLOTH COVERING AT THE FRONT OF THE UNIT.
15. Accessories Do not place this product on an unstable surface. Use only with a cart, stand, tripod, bracket or table recommended by the manufacturer or sold with the product. Any mounting of the product should follow the manufacturer's instructions and should use a mounting accessory recommended by the manufacturer.
16. Periods of unuse The power cord of the appliance should be unplugged from the outlet during lightning storms or when the apparatus is left unused for a long period of time.

## Specifications

Bluetooth	V3.0 with NFC, A2DP, AVRCP
Bluetooth range	up to 10 m
Aux input	3.5 mm
Output RMS	2 x 5 W @ 4 ohm satellites 1 x 30 W @ 4 ohm subwoofer Total = 40 W
Frequency response	40 Hz – 20 kHz
S/N	90 dB
USB output	1 A
AC input	100-240 V 50/60 Hz

## Troubleshooting

We hope you've now got all the information you need to get started, but if you're having problems with anything, please feel free to contact us at: [support@kitsound.co.uk](mailto:support@kitsound.co.uk)

We apologise for any inconvenience caused by minor inconsistencies in these instructions, which may occur as a result of product improvement and development.